

BOBCAT COMPANY PRICE PAGES

NA LOADERS – ATTACHMENTS



Please note the following when using Bobcat Price Pages:

- All prices are shown in U.S. dollars.
- Check BobcatNET Pricing Homepage for current Canadian exchange rate.
- All Parts Pricing valid only for North America.
- Prices and specifications are subject to change without notice.

THE FOLLOWING UPDATES HAVE BEEN MADE TO THIS DOCUMENT:

| Date | Description of Change |
|----------|--|
| 01/08/15 | Discontinued the bundles of 8 pallet fork frames and pairs of teeth. Replaced with the bundles of 10 pallet fork frames and pairs of teeth. |
| 2/27/15 | Discontinued tree fork. |
| 3/18/15 | Added attachment approvals for S740 and S740H |
| 3/18/15 | Added alert for 7147900 wheel kit on 84" sweeper: (Not Recommended for use with the 7122418 Gutter Brush) |
| 3/18/15 | 60" Soil Conditioner was removed and is no longer available |
| 5/14/15 | Removed basic landplane attachments in 48", 72" and 78" sizes |
| 5/22/15 | Removed 607 backhoe. Updated laser transmitter part numbers. |
| 6/29/15 | Replaced Trimble Transmitters GL412: PN 6697972 and GL422: PN 6697973 with the GL412N: PN 7275231 and the GL422N: PN 7275232 respectively. |
| 6/30/15 | Added 3D Sensor Kit PN: 7276540 and 3D Harness Kit PN: 7276541. |
| 7/1/15 | Effective Wednesday July 1 st , 2015 Bobcat Company has adjusted the SLP of select attachments. Removed bundled part number from buckets, spill guards and pallet forks and frames. |
| 7/31/15 | Added PN 7257723, Tier 4 Forestry Applications Kit |
| 9/16/15 | Removed Bucket Bundles |
| 10/22/15 | Added MT85 CII mounting brackets and approved attachments: 7272933, 7272954, 7272912, 7272919, 7276448, M7040 |
| 10/29/15 | Removed select planer drum options |
| 11/4/15 | Added S595 to approved attachments |
| 12/1/15 | Removed 12" and 16" digge. PNs: 6719754 and 6719755 respectively. |
| 12/15/15 | Added 7229102: S450 and T450 M-Series Attachment Control Kit, 7-Pin |
| 1/28/16 | Removed Tree Spade models |
| 2/1/15 | Skid Shoe for Tillers are now aftermarket parts. No longer standard equipment. |
| 2/8/16 | Discontinued Trenching Buckets with PN's: 6537147, 6537143, 6532776, 6532918, 6533031, 6536694, 6536930, 6536934, 6537130, 6537139 |
| 2/19/16 | Removed 709 Backhoe specs. |
| 2/26/16 | Added Auger shaft diameters. |
| 3/2/16 | Updated Backhoe 9BH price. |
| 3/17/16 | Removed 48" sweeper with PN 7149358. |
| 3/23/16 | Added attachment approvals for T595 and T595H. Removed PN 7162567: 73" Smooth Shell Kit |
| 3/28/16 | Removed PN 6812937, 6811461, 6811452 |
| 3/30/16 | Removed PN 7100250 Kit Stabilizer Mount. |
| 4/20/16 | Added Backhoe 7BH specs. |
| 7/1/16 | Effective Friday, July 1 st 2016, Bobcat Company has adjusted the SLP of select attachment options. |
| 8/17/16 | Updated Snowblower and hydraulic motor approvals. |
| 1/18/17 | Updated 8811 & 9BH Backhoe Kit Numbers |

BOBCAT COMPANY PRICE PAGES

NA LOADERS – ATTACHMENTS



Please note the following when using Bobcat Price Pages:

- All prices are shown in U.S. dollars.
- Check BobcatNET Pricing Homepage for current Canadian exchange rate.
- All Parts Pricing valid only for North America.
- Prices and specifications are subject to change without notice.

| | |
|------------|--|
| 3/2/17 | Removed PN 7196475 Spill Guard |
| 3/15/17 | Removed PN 6680073 & 7275231 Laser Transmitter |
| 3/23/17 | Removed PN 7235866 Latch Kit |
| 4/18/17 | Added T740 for PN 7168488, 7204238, & 7168932 |
| 4/20/17 | Added Max Clamping Force Spec to Combo Buckets |
| 4/27/17 | Added Harness Accessory P/N 6736214 under 14-Pin Attachment Control P/N 6729313 for use with Heater Kit |
| 7/10/17 | Effective Monday, July 10 st 2017, Bobcat Company has adjusted the SLP of select attachment options. |
| 7/13/17 | Removed 500-series loaders as approved machines for 8811 Backhoe |
| 9/18/17 | Pallet fork – Standard Duty 2.5K addition to line up, Heavy Duty 4K replace Standard Duty 4K, Severe Duty 5.5K Replaces Heavy Duty 5.5K |
| 11/13/17 | Removed Rear Stabilizers for T870 |
| 01/01/18 | Effective Thursday, January 1 st , 2018 Bobcat Company has adjusted the SLP of select options and power units. |
| 04/16/18 | Added stab/water/weight kit mount for Torsion T870 from PARTS Updated Backhoe X-Change™ bucket part numbers |
| 06/06/2018 | Added M7001-R01-C03 8.0 Hydraulic Motor Package for use with SB200 x 60" Snowblower |
| 06/12/2018 | Removed Backhoe Mounting Kit PN 6958101 and 54" Fertilizer & Grain Bucket PN 6557599 |
| 11/29/2018 | NB Breaker line added |
| 12/5/2018 | Updated 68" and 84" Angle Broom PNs from 6905805 and 6905806 to 7337703 and 7337715 – New MI's include Orange HD Bristles and Reversible Sweeping Direction. |
| 01/01/2019 | Updated SLPs for January 1 st , 2019 |

**Specification(s) are based on engineering calculations and are not actual measurements. Specification(s) are provided for comparison purposes only and are subject to change without notice. Specification(s) for your individual Bobcat equipment will vary based on normal variations in design, manufacturing, operating conditions, and other factor.*

ATTACHMENT CONTROL KIT

BOBCAT LOADER ATTACHMENT

Attachment Control Kits need to be installed on Bobcat loaders to operate the following attachments:

- | | | |
|--------------------------|--------------------------|-----------------------------|
| Angle Broom | Dozer Blade | Snowblower |
| Bob-Tach Mounted Backhoe | Grader | Soil Conditioner, Hydraulic |
| Box Blade with Laser | Planer (For Planers with | Stump Grinder |
| Chipper | Hydraulic Depth Adjust) | Tree Spades with ACD |
| Concrete Mixer | Snow V-Blades | Wheel Saw |
| Concrete Pump | | |

Note: Attachment Control Kits are included with the High Flow Auxiliary Hydraulics Option on all 763H (S/N 512220766 & above), 863H F-Series Loaders and all High Flow G-Series and newer Loaders.

| PART NUMBER | ATTACHMENT – ORDER FROM PARTS DESCRIPTION |
|-------------|---|
|-------------|---|

For current Attachment pricing, reference BobQuote or Dealer Parts Department.

Choose the appropriate kit below for your loader’s model and serial number range.

G-Series thru K-Series Loaders

- | | |
|----------------|---|
| 6733142 | ATTACHMENT CONTROL KIT, 7-PIN PARTS \$ _____ (Used on all G-Series thru K-Series loaders) (Controls 7-Pin Attachments only) (Ship Weight 5 lbs.; Estimated install time 1.5 hours) |
| 6733136 | ATTACHMENT CONTROL KIT, 14-PIN PARTS \$ _____ (Used on all G-Series thru K-Series loaders) (Controls 14-Pin Attachments only) (May be used independently or in conjunction with Factory-Installed or Dealer-Installed 7-Pin Attachment Control Kit and High Flow loaders) (Estimated install time 1.5 hours) |
| 6727739 | ATTACHMENT CONTROL KIT, DUAL (7 AND 14-PIN) PARTS \$ _____ (Used on all G-Series thru K-Series loaders except S220, S250, S300, S330, T250, T300, T320 and A300) (Controls both 7 and 14-Pin Attachments) (Requires Front Auxiliary Hydraulics to Operate) (Estimated install time 1.5 hours) |

M-Series Loaders

- | | |
|----------------|---|
| 7229102 | ATTACHMENT CONTROL KIT, 7-PIN PARTS \$ _____ (Used on S450 and T450 M-Series loaders only) (Controls 7-Pin Attachments only) (Ship Weight 5 lbs.) (Estimated install time 1.5 hours) |
| 7128426 | ATTACHMENT CONTROL KIT, 7-PIN PARTS \$ _____ (Used on all M-Series loaders except S450 and T450) (Controls 7-Pin Attachments only) (Ship Weight 5 lbs.) (Estimated install time 1.5 hours) |
| 6733136 | ATTACHMENT CONTROL KIT, 14-PIN PARTS \$ _____ (Used on all G-Series and newer loaders) (Controls 14-Pin Attachments only) (May be used independently or in conjunction with Factory-Installed or Dealer-Installed 7-Pin Attachment Control Kit and High Flow loaders) (Estimated install time 1.5 hours) |

Small Loaders and Attachments Plus

- | | |
|----------------|--|
| 6732656 | 14-PIN ATTACHMENT CONTROL KIT (MT50, MT52, MT55) PARTS \$ _____ (Controls attachments with up to two functions such as SG30 and SB150) (Must also order Light Kit, P/N 6732657 if using with MT50) (Estimated install time 2 hour) |
| 7275444 | 14-PIN ATTACHMENT CONTROL KIT (MT85) PARTS \$ _____ (Controls attachments with up to two functions such as SG30 and SB150) (Estimated install time 2 hours) |
| 7143064 | 14-PIN ATTACHMENT CONTROL KIT (S100, T110) PARTS \$ _____ (S100 and T110 loaders must be equipped with Standard Controls) (Includes wiring and two replacement handles) (Controls 14-Pin Attachments with up to three functions) (14-pin T-harness required on attachment not equipped with 14-pin harness) (Estimated install time 1 hour) |
| 6733142 | ATTACHMENT CONTROL KIT, 7-PIN (S100, T110) PARTS \$ _____ (S100 and T110 loaders must be equipped with Selectable Joystick Controls) (Controls 7-Pin Attachments only) (Estimated install time 1.5 hours) |

ATTACHMENT CONTROL KIT BOBCAT LOADER ATTACHMENT

- 6733136 ATTACHMENT CONTROL KIT, 14-PIN (S100, T110) PARTS \$_____**
 (S100 and T110 loaders must be equipped with Selectable Joystick Controls)
 (Controls 14-Pin Attachments only) (Estimated install time 1.5 hours)

- 6729313 14-PIN ATTACHMENT CONTROL KIT (463, 553, S70) PARTS \$_____**
 (Controls attachments with up to two functions such as SG 30 & SB150)
 (14-pin T-harness required on attachment not equipped with 14-pin harness)
 (Includes one replacement handle) (Must also order Harness Accessory P/N 6736214 if using on a loader
 with heater kit) (Estimated install time 1 hour)

ATTACHMENT CONTROL KIT

BOBCAT LOADER ATTACHMENT

| PART NUMBER | ATTACHMENT – ORDER FROM PARTS DESCRIPTION |
|-------------|---|
|-------------|---|

Small Loaders and Attachments Plus

For current Attachment pricing, reference BobQuote or Dealer Parts Department.

- | | | |
|----------------|---|--|
| 7214742 | BOBCAT ATTACHMENTS PLUS ATTACHMENT CONTROL KIT PARTS \$ _____ (For use with competitive loaders that don't have a factory installed control kit) (Allows competitive loaders to be equipped with 14-pin attachment control) (Attaches to the loader lift arm and frame with the use of tie straps and clamps making it more permanent than rental and demo kit) (14-pin T-harness required on attachment not equipped with 14-Pin T-Harness) (Est. installation time—1.5 hours) | |
| 6959151 | SINGLE FUNCTION ATTACHMENT CONTROL KIT PARTS \$ _____ (Allows all Bobcat loaders and other brand loaders to be equipped with a toggle switch mounted to the loader steering lever for control of single function attachments; angle brooms and older 72" & 84" soil conditioners with hydraulic angle only) (Estimated install time 1 hour) | |

F-Series and Prior Loaders

All F-Series and prior loaders must use one of the following 14-Pin Control Kits.

- | | | |
|--|--|--|
| 6709228 | 14-PIN ATTACHMENT CONTROL KIT (BASIC) PARTS \$ _____ Use on the following loaders: 751 – All Prior to G-Series 753 – (S/N 508613488 & Above); (S/N 508613487 & Below) will NOT work without add'l parts. 753L, 763, 7753, 773 – All Prior to G-Series 853 – (S/N 508411354 & Above); (S/N 508411353 & Below) will NOT work without add'l parts. 853 – All S/N 5101 & 5102 Prefix 853 – (S/N 512818873 & Below) 853H – All S/N 5103 & 5097 Prefix 853H – (S/N 512818873 & Below) 873 – (S/N 514111465 & Below) (Estimated install time 3 hours) | |
| 6712820 | 14-PIN ATTACHMENT CONTROL KIT (PWM)..... PARTS \$ _____ Use on the following loaders: 853 – (S/N 512818874 & Above), but (S/N 512818874 – 512821845) must also order Adapter Module P/N 6669201 from Bobcat Parts. 853H – (S/N 512818874 & Above), but (S/N 512818874 – 512821845) must also order Adapter Module P/N 6669201 from Bobcat Parts. 863 – All Prior to G-Series 873 – (S/N 514111466 & Above), but (S/N 514111424 – 514111962) must also order Adapter Module P/N 6669201 from Bobcat Parts. 963 – All Prior to G-Series (Estimated install time 3 hours) | |
| 6706824 | 14-PIN ATTACHMENT CONTROL KIT (40 SERIES)..... PARTS \$ _____ (Used on all 543, 553, 640, 740 and 840 loaders) (Used to operate 68" Angle Broom, 60" Snow V-Blade, SG30 Stump Grinder, SB150 and 1412 Snowblowers) (Estimated install time 4 hours) | |
| PIECE PARTS | 14-PIN ATTACHMENT CONTROL KIT (AHC)..... PARTS \$ _____ (Used only on loaders with Advanced Hand Controls Prior to G-Series) (Refer to P/N 6713013 when ordering components) | |
| 6732656 | 14-PIN ATTACHMENT CONTROL KIT (MT50)..... PARTS \$ _____ (Controls attachments with up to two functions) (Must also order Light Kit, P/N 6732657) (Estimated install time 1hour) | |
| 6714215 | 14-PIN ATTACHMENT CONTROL KIT (RENTAL & DEMO.) PARTS \$ _____ (Used on all 740, 751, 753, 763, 773, 843, 853, 863, 873 and 963 loaders – See Note) (Estimated install time .25 hours) | |
| Note: Attachment Control Kit for Rental & Demonstration does NOT work with High Flow Attachments, Hand Control Loaders or G-Series Loaders. | | |
| 6716566 | 19-PIN REMOTE ATTACHMENT CONTROL KIT (RAC) PARTS \$ _____ (Used on all 700-800 Series BICS loaders prior to G-Series) (Required for chipper, concrete mixer and concrete pump attachments with 19-Pin harnesses) (Estimated install time 2 hours) | |

ATTACHMENT CONTROL KIT

BOBCAT LOADER ATTACHMENT

| PART NUMBER | ATTACHMENT – ORDER FROM PARTS DESCRIPTION |
|-------------|---|
|-------------|---|

For current Attachment pricing, reference BobQuote or Dealer Parts Department.

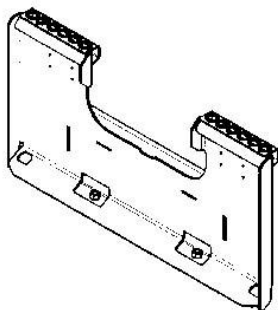
14-Pin Attachment T-Harness Kits

Converts a 7-pin attachment to include a 14-pin harness which is required for use with older loaders equipped only with 14-pin attachment control kit. When installed, the attachment will include both a 7-pin and 14-pin harness.

| | | |
|----------------|---|--|
| 6725381 | 14-PIN ATTACHMENT T-HARNESS KIT PARTS \$ _____ (Used with 68" & 84" Angle Brooms and 72" (S/N 232000101 and above) and 84" (S/N 651400101 and above) Hydraulic Soil Conditioners) (Estimated install time .5 hours) | |
| 6725383 | 14-PIN ATTACHMENT T-HARNESS KIT PARTS \$ _____ (Used with Bob-Tach Mounted Backhoe, 15" and 16" Planers, 18" Planer S/N 231611101 and above, & 24" Planer S/N 231711101 and above, 14" Planer Kit, Grader (S/N 648000101 thru 64801630), Laser Box Blade (S/N 657500101 thru 657500369), Snow V-Blades, 18" Wheel Saw (S/N 991800101 thru 991800625) & 24" Wheel Saw (S/N 991900101 thru 991900830), SG60 Stump Grinder (Estimated install time .5 hours) | |
| 6958772 | 14-PIN LASER ATTACHMENT T-HARNESS KIT PARTS \$ _____ (Used on F-Series and older BICS loaders for Trimble laser control system on Grader S/N 231511101 & above and 648000101 thru 64801630 and Laser Box Blade S/N 657500101 thru 657500369). Not for use with Bobcat Attachments Plus Control Kit, use p/n 6725383. | |
| 6727456 | 14-PIN ATTACHMENT T-HARNESS KIT PARTS \$ _____ (Used with 40" Planer S/N 991400101 thru 991401035) (Ship Weight 5 lbs.) (Estimated install time .5 hours) | |
| 6725384 | 14-PIN ATTACHMENT T-HARNESS KIT PARTS \$ _____ (Used with 68", 80", 90" & 96" Dozer Blades) (Estimated install time .5 hours) | |
| 6728165 | 14-PIN ATTACHMENT T-HARNESS KIT PARTS \$ _____ (Used with Snowblowers) (Estimated install time .5 hours) | |
| 6728163 | 14-PIN ATTACHMENT T-HARNESS KIT PARTS \$ _____ (Used with Sod Layer) (Estimated install time .5 hours) | |
| 7155357 | 14-PIN ATTACHMENT T-HARNESS KIT PARTS \$ _____ (Used with Soil Conditioner with hydraulic angle and hydraulic depth: 60" S/N A86R00101 and above, 72" High Flow S/N A6TD00101 and above, 84" S/N A6TG00101 and above, 84" High Flow S/N A6TH00101 and above) (Estimated install time .5 hours) | |
| 7164095 | 14-PIN ATTACHMENT T-HARNESS KIT PARTS \$ _____ (Used with 84" Grader S/N 648001631 and above, 96" and 108" graders, Laser Box Blade S/N 657500370 and above, 18" Planer S/N AKS200101 and above, 24" Planer S/N AJN700101 and above) (Estimated install time .5 hours) | |
| 7196479 | 14-PIN ATTACHMENT T-HARNESS KIT PARTS \$ _____ (Used with 18" Wheel Saw S/N 991800626 and above, 24" Wheel Saw S/N 991900831 and above, 40" Planer S/N 991401036 and above) (Estimated install time .5 hours) | |

ADAPTER PLATE

BOBCAT LOADER ATTACHMENT



QUICK SPECS

Operating Weight 87 lbs.

| PART NUMBER | ATTACHMENT DESCRIPTION | SLP IN US \$ |
|-------------|------------------------|--------------|
|-------------|------------------------|--------------|

(MT50, MT52, MT55, MT85)

7100695 **ADAPTER PLATE**..... **\$513.00**
 (Installs on competitive attachment for use with Bobcat MT50 and MT52)

Note: The adapter plate is not approved for use with buckets because of reduced breakout forces and ROC.

| Competitive Model Number | Attachment Description | Notes |
|--------------------------|----------------------------|--------------------------------------|
| Dingo® 22414 | Hydraulic Blade | Extend hoses 20" to get full rollout |
| Dingo 22400 | Auger Power Head | Maximum bit diameter is 30" |
| Dingo 22801 | Universal Auger Power Head | Maximum bit diameter is 30" |
| Dingo 22441 | Concrete Breaker | Extend hoses 20" |
| Dingo 22445 | Tiller, 40" | |
| Dingo 22420 | Boring Unit | |
| Dingo 22910 | Vibratory Plow | |
| Dingo 22447 | Trencher | |
| Harley Rake | M4F, M4M, M4H | |
| Ditch Witch SK5VP | Vibratory Plow | |
| Ditch Witch SK5TR | Trencher | Extend hoses 12" |

DESTINATION CHARGE/FUEL SURCHARGE

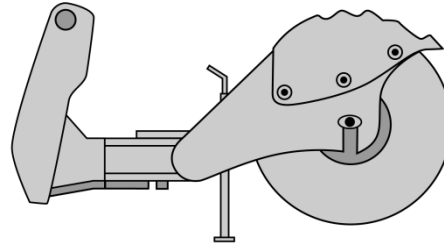
Refer to BobQuote or BobcatNET>>Other Resources>>Pricing Homepage for current Destination and Fuel Charges.

| ATTACHMENT | ASSEMBLY REQUIRED | INSTALLATION TIME (HOURS) |
|------------|-------------------|---------------------------|
|------------|-------------------|---------------------------|

Adapter Plate **Install plate on attachment** **0.25**

ANGLE BROOM

BOBCAT LOADER ATTACHMENT



QUICK SPECS

| | | | |
|---------------------------------|---------------------|----------------|----------------|
| | 48" | 68" | 84" |
| Operating Weight..... | 260 lbs. | 860 lbs. | 944 lbs. |
| Sweep Width Straight..... | 48" | 68" | 84" |
| Sweep Width Fully Angled..... | 41.5" @ 30° | 63.0" @ 25° | 77.0" @ 25° |
| Broom Angling..... | Manual | Hyd. Cylinder | Hyd. Cylinder |
| Drive System..... | Hyd. Motor | Hyd. Motor | Hyd. Motor |
| | | Reversing | Reversing |
| | Chain Dr. Reduction | Direct Drive | Direct Drive |
| Flow Range..... | 8-13 gpm | 8-24 gpm | 15-28 gpm |
| Broom Bristle Diameter..... | 21 3/8" | 32" | 32" |
| Bristle Material..... | Poly Blue | Poly Orange HD | Poly Orange HD |
| Number of Bristle Sections..... | 23 Zig-Zag | 36 Zig-Zag | 44 Zig-Zag |
| | 2 Straight | 2 Straight | 2 Straight |

| PART NUMBER | ATTACHMENT DESCRIPTION | SLP IN US \$ |
|-------------|------------------------|--------------|
|-------------|------------------------|--------------|

(MT50, MT52, MT55, MT85) (S70)
6907000 48" ANGLE BROOM..... \$3,470.00
 (Manual Angle, 3-Positions: 30° Right, Left and Straight)

(S100, S130, S150, S160, S175, S185, S205) (S450, S510, S530, S550, S570, S590, S595, S630, S650, S740, S750, S770) (A770) (T110, T140, T180, T190) (T450, T550, T590, T595, T630, T650, T740, T750, T770)
7337703 68" ANGLE BROOM..... \$5,613.00
 (Loader must be equipped with an Attachment Control Kit – See Page 1 or 2)
 (When used on loaders equipped with a 14-Pin Attachment Control Kit, a 14-Pin Attachment T-Harness Kit is required – See Page 3)

(S150, S160, S160H, S175, S185, S185H, S205, S205H)
(S510, S530, S550, S550H, S570, S570H, S590, S590H, S595, S595H, S630, S650, S740, S750, S770, S850) (A770) (T180, T180H, T190, T190H) (T550, T550H, T590, T590H, T595, T595H, T630, T650, T740, T750, T770, T870)
7337715 84" ANGLE BROOM..... \$6,114.00
 (Loader must be equipped with an Attachment Control Kit – See Page 1 or 2)
 (When used on loaders equipped with a 14-Pin Attachment Control Kit, a 14-Pin Attachment T-Harness Kit is required – See Page 2)

ANGLE BROOM

BOBCAT LOADER ATTACHMENT

| PART NUMBER | DEALER INSTALLED ACCESSORIES – ORDER FROM SALES | SLP IN US \$ |
|-------------|---|--------------|
|-------------|---|--------------|

Water Kit

NOTE: Water Kits are available for use with the Angle Broom attachments – see Water Kit page for details.

DESTINATION CHARGE/FUEL SURCHARGE
 Refer to BobQuote or BobcatNET>>Other Resources>>Pricing Homepage for current Destination and Fuel Charges.

| ATTACHMENT | ASSEMBLY REQUIRED | INSTALLATION TIME (HOURS) |
|------------|-------------------|---------------------------|
|------------|-------------------|---------------------------|

| | | |
|------------------------------|-----------|------------|
| Angle Broom | None..... | - |
| Attachment Control Kit | | See Page 1 |

AUGER

BOBCAT LOADER ATTACHMENT



Auger Drive Unit

QUICK SPECS

| | <u>Model</u> 10 | <u>Model</u> 15C | <u>Model</u> 15H | <u>Model</u> 30C | <u>Model</u> 30H | <u>Model</u> 35PH | <u>Model</u> 50PH |
|--|---------------------------|----------------------------|----------------------------|----------------------------|----------------------------|-----------------------------|-----------------------------|
| Ship Weight (Auger Drive) | 191 lbs. | 245 lbs. | 241 lbs. | 263 lbs. | 257 lbs. | 325 lbs. | 325 lbs. |
| Ship Weight (Mtg. Frame)..... | 162 lbs. | 193 lbs. | 193 lbs. | 193 lbs. | 193 lbs. | 209 lbs. | 209 lbs. |
| Operating Weight (less bit)..... | 283 lbs. | 358 lbs. | 354 lbs. | 376 lbs. | 370 lbs. | 454 lbs. | 454 lbs. |
| Digging Depth (without extensions)..... | 58" | 62" | 62" | 62" | 62" | 72" | 72" |
| Shaft Diameter - Round..... | 2.5" | 2.5" | - | 2.5" | - | - | - |
| Shaft Diameter – Hex | - | 2.0" | 2.0" | 2.0" | 2.0" | 2.5" | 2.5" |
| RPM | | | | | | | |
| @ 8 gpm (30 L/min.) | 48 rpm | | | | | | |
| @ 12 gpm (45 L/min.) | 72 rpm | 57 rpm | 57 rpm | | | | |
| @ 17 gpm (64 L/min.) | 102 rpm | 80 rpm | 80 rpm | 41 rpm | 41 rpm | | |
| @ 18 gpm (68 L/min.) | | | | | | 46 rpm | 36 rpm |
| @ 21 gpm (70 L/min.) | | 99 rpm | 99 rpm | 51 rpm | 51 rpm | | |
| @ 22 gpm (83 L/min.) | | | | | | 56 rpm | 45 rpm |
| @ 23 gpm (87 L/min.) | | 109 rpm | 109 rpm | 56 rpm | 56 rpm | | |
| @ 26 gpm (98 L/min.) | | | | | | 67 rpm | 53 rpm |
| @ 30 gpm (114 L/min.) | | | | 70 rpm | 70 rpm | 77 rpm | 61 rpm |
| @ 32 gpm (121 L/min.) | | | | | | 82 rpm | 65 rpm |
| @ 34 gpm (129 L/min.) | | | | | | 87 rpm | 69 rpm |
| @ 36 gpm (136 L/min.) | | | | | | 92 rpm | 73 rpm |
| @ 37 gpm (140 L/min.) | | | | 90 rpm | 90 rpm | | |
| @ 38 gpm (144 L/min.) | | | | | | 98 rpm | 77 rpm |
| Torque | | | | | | | |
| @ 2000 psi (19,788 kPa)..... | 1021ft.lb. (1523 Nm) | 1300 ft.lb. (1763 Nm) | 1300 ft.lb. (1763 Nm) | 2520 ft.lb. (3417 Nm) | 2520 ft.lb. (3417 Nm) | 2387 ft.lb. (3237 Nm) | 3023ft.lb. (4100 Nm) |
| @ 2400 psi (16,547 kPa)..... | 1225 ft.lb. (1661 Nm) | 1560 ft.lb. (2115 Nm) | 1560 ft.lb. (2115 Nm) | 3024 ft.lb. (4100 Nm) | 3024 ft.lb. (4100 Nm) | 2864 ft.lb. (3884 Nm) | 3628 ft.lb. (4920 Nm) |
| @ 2600 psi (17,926 kPa)..... | | | | | | 3103 ft.lb. (4208 Nm) | 3931ft.lb. (5330 Nm) |
| @ 2700 psi (18,616 kPa)..... | 1378 ft.lb. (1868 Nm) | 1775 ft.lb. (2379 Nm) | 1775 ft.lb. (2379 Nm) | 3402 ft.lb. (4213 Nm) | 3402 ft.lb. (4213 Nm) | | |
| @ 3000 psi (20,684 kPa)..... | 1532 ft.lb. (2077 Nm) | 1950 ft.lb. (2644 Nm) | 1950 ft.lb. (2644 Nm) | 3780 ft.lb. (5125 Nm) | 3780 ft.lb. (5125 Nm) | | |
| @ 3200 psi (22,753 kPa)..... | | | | | | 3819 ft.lb. (5179 Nm) | 3023ft.lb. (4100 Nm) |
| @ 3300 psi (22,753 kPa)..... | | 2415 ft.lb. (2908 Nm) | 2415 ft.lb. (2908 Nm) | 4158 ft.lb. (5638 Nm) | 4158 ft.lb. (5638 Nm) | | |
| @ 3500 psi (24,132 kPa)..... | | 2275 ft.lb. (3084 Nm) | 2275 ft.lb. (3084 Nm) | 4410 ft.lb. (5979 Nm) | 4410 ft.lb. (5979 Nm) | 4177 ft.lb. (5664 Nm) | 5291.lb. (7175 Nm) |

Prices and Specifications
Subject to Change Without Notice

Loader Attachments
All Prices in U.S. Dollars

North American Suggested List Prices
2019 Price Book

Check BobcatNET Pricing Homepage for current Canadian exchange rate.

Page 10 of 151

AUGER

BOBCAT LOADER ATTACHMENT

| PART NUMBER | ATTACHMENT DESCRIPTION | SLP IN US \$ |
|--|---|-------------------|
| (MT50, MT52, MT55, MT85) (S70, S100, S130, S150, S160, S175, S185, S205) (S450) (T110, T140) (T450) | | |
| 6808799 | MODEL 10 AUGER DRIVE UNIT (Must also order Mounting Frame and Bit) (Must order mounting frame, light duty bit and swing stop kit when installing on MT50, MT52, MT55, and MT85) | \$1,453.00 |
| (S100, S130, S150, S160, S175, S185, S205) (S450*, S510*, S530*, S550*, S570*, S590*, S595*, S630*, S650*, S740*, S750*, S770*, S850*) (A770*) (T110, T140, T180, T190, T250, T300, T320) (T450*, T550*, T590*, T595*, T630*, T650*, T740*, T740H*, T750*, T770*, T870*) | | |
| 6809442 | MODEL 15C AUGER DRIVE UNIT (Must also order Mounting Frame and Bit) (Auger drive unit is shipped with a 7/8" round bit retention pin, if used in conjunction with a hex bit a 5/8" Pin Kit P/N 6809733 is required.) | \$1,781.00 |
| 7145345 | MODEL 15H HEX SHAFT AUGER DRIVE UNIT (Must also order Mounting Frame and Bit) | \$1,781.00 |
| (S130, S150, S160, S160H, S175, S185, S185H, S205, S205H) (S450*, S510*, S530*, S550*, S550H*, S570*, S570H*, S590*, S590H*, S595*, S595H*, S630H*, S650*, S650H*, S740*, S740H*, S750*, S750H*, S770*, S770H*, S850*, S850H*) (A770*, A770H*) (T140, T180, T180H, T190, T190H) (T450*, T550*, T550H*, T590*, T590H*, T595*, T595H*, T630*, T630H*, T650*, T650H*, T740*, T740H*, T750*, T750H*, T770*, T770H*, T870*, T870H*) | | |
| 6809445 | MODEL 30C AUGER DRIVE UNIT (Must also order Mounting Frame and Bit) (Auger drive unit is shipped with a 7/8" round bit retention pin, if used in conjunction with a hex bit a 5/8" Pin Kit P/N 6809733 is required.) | \$2,328.00 |
| 7138264 | MODEL 30H HEX SHAFT AUGER DRIVE UNIT (Must also order Mounting Frame and Bit) | \$2,328.00 |

*Must also order Bumper Kit p/n 7172609 from Parts

| PART NUMBER | ATTACHMENT DESCRIPTION | SLP IN US \$ |
|---|--|-------------------|
| (S510, S530, S550, S570, S590, S595, S630, S650, S740, S740H, S750, S770, S850) (A770) (T550, T590, T595, T630, T650, T740, T750, T770, T870) | | |
| 7220280 | 35PH AUGER DRIVE UNIT (Must also order 35PH/50PH Mounting Frame and Bit) (Auger Drive unit is shipped with bit retention pin) | \$3,644.00 |
| (S550H, S570H, S590H, S595H, S630, S650, S740, S740H, S750, S770, S850) (A770) (T550H, T590H, T595H, T630, T650, T740, T750, T770, T870) | | |
| 7227984 | 50PH AUGER DRIVE UNIT (Must also order 35PH/50PH Mounting Frame and Bit) (Auger Drive unit is shipped with bit retention pin) | \$4,172.00 |

AUGER

BOBCAT LOADER ATTACHMENT

| PART NUMBER | DEALER INSTALLED ACCESSORIES – ORDER FROM SALES DESCRIPTION | SLP IN US \$ |
|-------------|---|--------------|
|-------------|---|--------------|

| | | |
|---|---|-----------------|
| (S70)(MT50-MT55, MT85) | | |
| 6812946 | AUGER 10 BOB-TACH MOUNTING FRAME (Includes Mounting Hardware) | \$486.00 |
| (MT85) | | |
| 7272933 | AUGER 10 MTG BRACKET CII (Includes Mounting Hardware) | \$486.00 |
| (S100-S330, S450-S850)(A770)(T110-T320, T450-T870) | | |
| 6812980 | AUGER 15C/H, 30C/H MOUNTING FRAME..... (Includes Mounting Hardware) | \$412.00 |
| (S510-S850)(A770)(T550-T870) | | |
| 7223507 | 35PH/50PH MOUNTING FRAME..... (Includes Mounting Hardware) | \$491.00 |

| PART NUMBER | DEALER INSTALLED ACCESSORIES – ORDER FROM PARTS DESCRIPTION |
|-------------|---|
|-------------|---|

For current Dealer Installed Accessories pricing, reference BobQuote or Dealer Parts Department.

| | | |
|----------------|--|-----------------------|
| 6811444 | SWING STOP KIT, MT50 - MT55, MT85..... (Use with Model 10 auger) (Limits side to side swing of auger bit.) | PARTS \$ _____ |
| 7172609 | BUMPER KIT, FOR M-SERIES (Required for use with M-Series Loaders) | PARTS \$ _____ |

AUGER

BOBCAT LOADER ATTACHMENT

AUGER DRIVE & BIT RECOMMENDATIONS

Model 10 Augers—Recommended bit size 6" – 18"

Model 15C and 30C Augers—Recommended bit size 6" – 36"

Model 15H and 30H Augers—Recommended bit size 6" – 36"

Auger bit combinations should be used as a guideline. Recommendations are based upon average digging conditions.

LIGHT DUTY AUGER BITS

*Used with MT50, MT52, MT55, MT85 and Model 10 Auger
 White, round Drive, 45" Length, Single Flight.*

| | | |
|----------------|---|--|
| 6679574 | 6" BIT PARTS \$ _____ (Ship Weight 45 lbs.) | |
| 6679575 | 9" BIT PARTS \$ _____ (Ship Weight 53 lbs.) | |
| 6679576 | 12" BIT PARTS \$ _____ (Ship Weight 100 lbs.) | |
| 6679577 | 15" BIT PARTS \$ _____ (Ship Weight 120 lbs.) | |
| 6679578 | 18" BIT PARTS \$ _____ (Ship Weight 79 lbs.) | |
| 6679579 | 24" BIT PARTS \$ _____ (Ship Weight 144 lbs.) | |
| 6679580 | 30" BIT PARTS \$ _____ (Ship Weight 124 lbs.) | |
| 6679581 | 36" BIT PARTS \$ _____ (Ship Weight 165 lbs.) | |

AUGER

BOBCAT LOADER ATTACHMENT

| PART NUMBER | DEALER INSTALLED ACCESSORIES – ORDER FROM PARTS DESCRIPTION |
|-------------|---|
|-------------|---|

For current Dealer Installed Accessories pricing, reference BobQuote or Dealer Parts Department.

STANDARD AUGER BITS & ACCESSORIES

Charcoal Color, Round Drive, 49" Length, Double Flight, Variable Tooth Angle: 40° or 50°

| | | |
|---------|-------------------------------------|----------|
| 6666891 | 6" BIT PARTS | \$ _____ |
| | (Ship Weight 60 lbs.) | |
| 6666892 | 9" BIT PARTS | \$ _____ |
| | (Ship Weight 91 lbs.) | |
| 6666893 | 12" BIT PARTS | \$ _____ |
| | (Ship Weight 128 lbs.) | |
| 6666894 | 15" BIT PARTS | \$ _____ |
| | (Ship Weight 119 lbs.) | |
| 6666895 | 18" BIT PARTS | \$ _____ |
| | (Ship Weight 160 lbs.) | |
| 6666896 | 24" BIT PARTS | \$ _____ |
| | (Ship Weight 203 lbs.) | |
| 6666897 | 30" BIT PARTS | \$ _____ |
| | (Ship Weight 275 lbs.) | |
| 6666898 | 36" BIT (MODEL 15 & 30) PARTS | \$ _____ |
| | (Ship Weight 380 lbs.) | |
| 6666899 | 18" TREE PLANTING BIT PARTS | \$ _____ |
| | (Ship Weight 140 lbs.) | |
| 6666900 | 24" TREE PLANTING BIT PARTS | \$ _____ |
| | (Ship Weight 162 lbs.) | |
| 6666901 | 30" TREE PLANTING BIT PARTS | \$ _____ |
| | (Ship Weight 236 lbs.) | |
| 6666902 | 36" TREE PLANTING BIT PARTS | \$ _____ |
| | (Ship Weight 305 lbs.) | |

Standard Auger Bits Accessories

| | | |
|---------|---|----------|
| 6679806 | 48" ADJUSTABLE ROUND EXTENSION PARTS | \$ _____ |
| | (For Model 10, 15, 15C, 30 and 30C Augers) (6" and 9" bits will not allow the extension to telescope, only works in the top position) (Ship Weight 82 lbs.) | |
| 6679826 | 24" ADJUSTABLE ROUND EXTENSION PARTS | \$ _____ |
| | (For Model 10, 15, 15C, 30 and 30C Augers) (6" and 9" bits will not allow the extension to telescope, only works in the top position) (Ship Weight 44 lbs.) | |
| 6679825 | 14" ROUND EXTENSION PARTS | \$ _____ |
| | (For Model 10, 15, 15C, 30 and 30C Augers) (Ship Weight 24 lbs.) | |

AUGER

BOBCAT LOADER ATTACHMENT

| PART NUMBER | DEALER INSTALLED ACCESSORIES – ORDER FROM PARTS DESCRIPTION |
|-------------|---|
|-------------|---|

For current Dealer Installed Accessories pricing, reference BobQuote or Dealer Parts Department.

HEAVY DUTY AUGER BITS

Orange Color, Hex Drive, 42" Length, Single Flight

| | | |
|---------|--|--|
| 6674957 | 6" BIT PARTS \$ _____ (If installed on a 15C or 30C Auger drive unit, a 5/8" Pin Kit P/N 6809733 is required) (Ship Weight 46 lbs.) | |
| 6674958 | 9" BIT PARTS \$ _____ (If installed on a 15C or 30C Auger drive unit, a 5/8" Pin Kit P/N 6809733 is required) (Ship Weight 59 lbs.) | |
| 6674959 | 12" BIT PARTS \$ _____ (If installed on a 15C or 30C Auger drive unit, a 5/8" Pin Kit P/N 6809733 is required) (Ship Weight 76 lbs.) | |
| 6674960 | 16" BIT PARTS \$ _____ (If installed on a 15C or 30C Auger drive unit, a 5/8" Pin Kit P/N 6809733 is required) (Ship Weight 97 lbs.) | |
| 6675034 | 18" BIT PARTS \$ _____ (If installed on a 15C or 30C Auger drive unit, a 5/8" Pin Kit P/N 6809733 is required) (Ship Weight 112 lbs.) | |
| 6674961 | 20" BIT PARTS \$ _____ (If installed on a 15C or 30C Auger drive unit, a 5/8" Pin Kit P/N 6809733 is required) (Ship Weight 117 lbs.) | |
| 6674962 | 24" BIT PARTS \$ _____ (If installed on a 15C or 30C Auger drive unit, a 5/8" Pin Kit P/N 6809733 is required) (Ship Weight 151 lbs.) | |
| 6674963 | 30" BIT PARTS \$ _____ (If installed on a 15C or 30C Auger drive unit, a 5/8" Pin Kit P/N 6809733 is required) (Ship Weight 193 lbs.) | |
| 6674964 | 36" BIT PARTS \$ _____ (If installed on a 15C or 30C Auger drive unit, a 5/8" Pin Kit P/N 6809733 is required) (Ship Weight 270 lbs.) | |
| 6674965 | 42" BIT PARTS \$ _____ (If installed on a 15C or 30C Auger drive unit, a 5/8" Pin Kit P/N 6809733 is required) (Ship Weight 302 lbs.) | |

ROCK AUGER BITS

White Color, Hex Shaft, 42" Length, Single Flight

| | | |
|---------|---|--|
| 7169665 | 6" BIT PARTS \$ _____ (Ship Weight 64 lbs.) | |
| 7169666 | 9" BIT PARTS \$ _____ (Ship Weight 78 lbs.) | |
| 7169667 | 12" BIT PARTS \$ _____ (Ship Weight 102 lbs.) | |
| 7169668 | 16" BIT PARTS \$ _____ (Ship Weight 123 lbs.) | |
| 7169669 | 18" BIT PARTS \$ _____ (Ship Weight 149 lbs.) | |
| 7169670 | 20" BIT PARTS \$ _____ (Ship Weight 152 lbs.) | |
| 7169671 | 24" BIT PARTS \$ _____ (Ship Weight 195 lbs.) | |
| 7169672 | 30" BIT PARTS \$ _____ (Ship Weight 225 lbs.) | |

Rock Auger Bits Accessories – See Heavy Duty Auger Bits Accessories

AUGER

BOBCAT LOADER ATTACHMENT

| PART NUMBER | DEALER INSTALLED ACCESSORIES – ORDER FROM PARTS DESCRIPTION |
|-------------|---|
|-------------|---|

For current Dealer Installed Accessories pricing, reference BobQuote or Dealer Parts Department.

HEAVY DUTY AUGER BITS – 35/50PH AUGER DRIVE

| | | |
|---------|------------------------|----------|
| 7243233 | 8" BIT PARTS | \$ _____ |
| | (Ship Weight 115 lbs.) | |
| 7243234 | 12" BIT PARTS | \$ _____ |
| | (Ship Weight 130 lbs.) | |
| 7243235 | 18" BIT PARTS | \$ _____ |
| | (Ship Weight 165 lbs.) | |
| 7243236 | 24" BIT PARTS | \$ _____ |
| | (Ship Weight 225 lbs.) | |
| 7243237 | 30" BIT PARTS | \$ _____ |
| | (Ship Weight 295 lbs.) | |
| 7243238 | 36" BIT PARTS | \$ _____ |
| | (Ship Weight 350 lbs.) | |
| 7243239 | 48" BIT PARTS | \$ _____ |
| | (Ship Weight 495 lbs.) | |

ROCK AUGER BITS – 35/50PH AUGER DRIVE

| | | |
|---------|------------------------|----------|
| 7243240 | 8" BIT PARTS | \$ _____ |
| | (Ship Weight 118 lbs.) | |
| 7243241 | 12" BIT PARTS | \$ _____ |
| | (Ship Weight 130 lbs.) | |
| 7243242 | 18" BIT PARTS | \$ _____ |
| | (Ship Weight 165 lbs.) | |
| 7243243 | 24" BIT PARTS | \$ _____ |
| | (Ship Weight 210 lbs.) | |
| 7243244 | 30" BIT PARTS | \$ _____ |
| | (Ship Weight 300 lbs.) | |

| PART NUMBER | DEALER INSTALLED ACCESSORIES – ORDER FROM PARTS DESCRIPTION |
|-------------|---|
|-------------|---|

Heavy Duty Auger Bits Accessories/Rock Auger Bits Accessories

| | | |
|---------|--|----------|
| 6809733 | 5/8" (.625) PIN KIT PARTS | \$ _____ |
| | (Used for retention of hex bits on 15C and 30C Auger drive units) (Ship Weight 11 lbs.) | |
| 6679807 | 48" ADJUSTABLE HEX EXTENSION PARTS | \$ _____ |
| | (For Model 15H, 15C, 30H and 30C Augers) (Ship Weight 48 lbs.) | |
| 6662876 | 24" ADJUSTABLE HEX EXTENSION PARTS | \$ _____ |
| | (For Model 15H, 15C, 30H and 30C Augers) (Ship Weight 33 lbs.) | |
| 6662874 | ROUND SHAFT TO HEX BIT ADAPTER, CAST PARTS | \$ _____ |
| | (For Model 15 & 30 Augers with Round Output Shaft) (Ship Weight 19 lbs.) | |
| 6662875 | HEX SHAFT TO ROUND BIT ADAPTER, CAST PARTS | \$ _____ |
| | (For Model 15H, 15C, 30H and 30C Augers with Hex Output Shaft) (Ship Weight 20 lbs.) | |
| 7137091 | HEX SHAFT TO ROUND BIT ADAPTER, SLEEVE PARTS | \$ _____ |
| | (For Model 15H, 15C, 30H and 30C Augers with Hex Output Shaft) (5/8" Pin Kit P/N 6809733 is required.) (Sleeve slides over hex shaft, converting it to round) (Ship Weight 3 lbs.) | |
| 7243729 | 48" ADJUSTABLE HEX EXTENSION PARTS | \$ _____ |
| | (For 35PH & 50PH Auger Drives) (Shipping Weight 105lbs.) | |

AUGER
BOBCAT LOADER ATTACHMENT

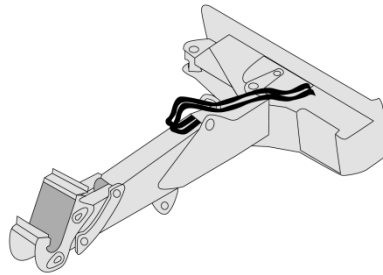
DESTINATION CHARGE/FUEL SURCHARGE
 Refer to BobQuote or BobcatNET>>Other Resources>>Pricing Homepage for current Destination and Fuel Charges.

| ATTACHMENT | ASSEMBLY REQUIRED | INSTALLATION TIME (HOURS) |
|------------|-------------------|------------------------------|
|------------|-------------------|------------------------------|

| | | |
|--|--|-----|
| Auger..... Assemble drive unit to mounting frame and install bit | | 0.5 |
|--|--|-----|

BOB-TACH BACKHOE

BOBCAT LOADER ATTACHMENT



QUICK SPECS

| | |
|---|--------------------------|
| Operating Weight (without bucket) | 750 lbs. |
| Swing Angle..... | 48 degrees left or right |
| Length | 77.0" |
| Width..... | 50.0" |
| Height..... | 17.8" |
| Dig Depth..... | 72.0" |
| Reach..... | 77.0" |
| Dig Force – Bucket | 4878 lbf. |
| Bolt-on X-Change | Standard |

| PART NUMBER | ATTACHMENT DESCRIPTION | SLP IN US \$ |
|-------------|------------------------|--------------|
|-------------|------------------------|--------------|

(S150, S160, S175, S185, S205) (S510, S530, S550, S570, S590, S595) (T180, T190) (T550, T590, T595)

| | | |
|----------------|---|-------------------|
| 6906767 | BOB-TACH MOUNTED BACKHOE <small>(Must also order bucket, see Backhoe Bucket pages) (Loader must be equipped with an Attachment Control Kit – See Page 1 and 2) (If installing on loader with 14-Pin Attachment Control, must also order 14-pin Attachment T-Harness P/N 6725383) (Bob-Tach Mounted Backhoe is NOT compatible with Rear Stabilizers)</small> | \$5,316.00 |
|----------------|---|-------------------|

| PART NUMBER | DEALER INSTALLED ACCESSORIES – ORDER FROM SALES DESCRIPTION | SLP IN US \$ |
|-------------|---|--------------|
|-------------|---|--------------|

| | | |
|----------------|--|-------------------|
| 7104321 | HYDRAULIC CLAMP <small>(Includes cylinder, hoses & pins) (Must also order Auxiliary Hydraulic Kit)</small> | \$1,885.00 |
|----------------|--|-------------------|

| PART NUMBER | DEALER INSTALLED ACCESSORIES – ORDER FROM PARTS DESCRIPTION | PARTS \$ |
|-------------|---|----------|
|-------------|---|----------|

| | | |
|----------------|---|----------------|
| 6958160 | AUXILIARY HYDRAULIC KIT <small>(Must order if using Hydraulic Clamp with Backhoe) (Ship Weight 10 lbs.)</small> | PARTS \$ _____ |
|----------------|---|----------------|

DESTINATION CHARGE/FUEL SURCHARGE

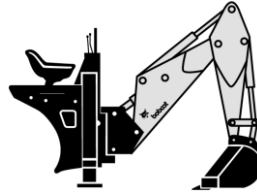
Refer to BobQuote or BobcatNET>>Other Resources>>Pricing Homepage for current Destination and Fuel Charges.

| ATTACHMENT | ASSEMBLY REQUIRED | INSTALLATION TIME (HOURS) |
|------------|-------------------|---------------------------|
|------------|-------------------|---------------------------|

| | | |
|---------------------------------------|--|-------------|
| Backhoe | Install bucket on backhoe | 0.25 |
| Auxiliary Hydraulics Kit | Install Auxiliary Hydraulics Kit on backhoe | 1.00 |

BACKHOE

BOBCAT LOADER ATTACHMENT



QUICK SPECS

| | <u>M06</u> | <u>7BH</u> | <u>9BH</u> | <u>8811</u> |
|-----------------------|------------|------------|------------|-------------|
| Operating Weight ... | 685 lbs. | 1298 lbs. | 1487 lbs. | 2012 lbs. |
| Dig Depth..... | 76.2" | 95.1" | 116.6" | 135.7" |
| Reach..... | 88" | 123.6" | 145.3" | 166" |
| Dig Force – Bucket | 2200 lbf. | 5294 lbf. | 5318 lbf. | 8611 lbf. |
| Dig Force – Dipper. | 968 lbf. | 2835 lbf. | 3291 lbf. | 3020 lbf. |
| Bolt-on X-Change.. | N/A | Standard | Standard | Standard |
| Swing Angle..... | 180° | 180° | 180° | 180° |
| Stabilizer type | Hydraulic | Vertical | Hydraulic | Hydraulic |

| PART NUMBER | ATTACHMENT DESCRIPTION | SLP IN US \$ |
|-------------|------------------------|--------------|
|-------------|------------------------|--------------|

For current parts pricing, reference BobQuote or Dealer Parts Department.

(MT50, MT52, MT55)

| | | |
|----------------|--|-----------------------|
| 7101456 | M06 BACKHOE | \$7,2123.00 |
| | (Must order a Bucket and Mounting Kit) | |
| 7153411 | AUXILIARY HYDRAULICS MODE SWITCH KIT | PARTS \$ _____ |
| | (Needed to control M06 Backhoe attachment on MT52 s/n A3WR11001 & above and MT55 s/n A3WT11001 & above) | |

(S450, S510, S530, S550, S570, S590, S595)(T450, T550, T590, T595)

| | | |
|----------------|--|--------------------|
| 7243518 | 7BH BACKHOE | \$12,820.00 |
| | (Must also order mounting kit and bucket) (Will not fit K-Series and older loaders) | |

(S510, S530, S550, S570, S590, S595, S630, S650) (T550, T590, T595, T630, T650)

| | | |
|----------------|--|--------------------|
| 7237275 | 9BH BACKHOE | \$13,568.00 |
| | (Must also order mounting kit and bucket) (Will not fit K-Series and older loaders) | |

(S630, S650, S740, S750, S770, S850) (A770) (T630, T650, T740, T750, T770, T870)

| | | |
|----------------|---|--------------------|
| 7130772 | 8811 BACKHOE | \$14,453.00 |
| | (Must also order Mounting Kit and Bucket) (Must order Spacer Kit (PN 7168932) When mounting on M-Series machines) (Must order latch kit if backhoe serial number is below A5581500) | |

- Note:** Use of Rear Stabilizers is recommended with the 9BH and 8811 Backhoes.
Note: Bolt-on street pads are available for the 607, 709, 8709, 811 and 8811 Backhoes from Bobcat Parts.

BACKHOE

BOBCAT LOADER ATTACHMENT

| PART NUMBER | DEALER INSTALLED ACCESSORIES – ORDER FROM SALES DESCRIPTION | SLP IN US \$ |
|-------------|---|--------------|
|-------------|---|--------------|

Backhoe Attachments

| | | |
|----------------|---|-------------------|
| 6817177 | FROST & ROCK RIPPER (Used on the 709/8709/811/8811 Backhoes to penetrate and scarify frost or hard ground) (X-Change System required) (Operating Weight 195 lbs.) | \$1,005.00 |
| 6806644 | PACKER WHEEL (Use with 607/709/8709/811/8811 Backhoes to compact fill after trenching.) (X-Change System required) (Operating Weight 386 lbs.) | \$2,208.00 |

Backhoe Mounting Kits – Current

| | | |
|----------------|--|-----------------|
| 7101552 | MOUNTING KIT (M06 to MT52 or MT55) | \$176.00 |
| 7228276 | MOUNTING KIT (7BH & 9BH to S450, S510, S530, S550, S570, S590, S595, T450, T550, T590, T595) (Ship Weight 50 lbs.; Estimated install time 2 hrs.) | \$399.00 |
| 6813148 | MOUNTING KIT PARTS \$ ____ (8811 to S220, S250, S300, S330, A300, T250, T300, T320) (Use with backhoe s/n A55809999 & below and s/n 630199999 & below) (Ship Weight 45 lbs.; Estimated install time 1 hour) | |
| 7167510 | MOUNTING KIT PARTS \$ ____ (8811 to S220, S250, S300, S330, A300, T250, T300, T320) (Ship Weight 50 lbs.; Estimated install time 1 hour) (Use with backhoe s/n A55810000 & above, effective May 2009) (Use with backhoe s/n A55809999 & below and s/n 630199999 & below, if equipped with Latch Kit p/n 7204238) | |
| 7168488 | MOUNTING KIT \$399.00 (8811 to S630, S650, S740, S750, S770, A770, T630, T650, T740, T750, T770) (9BH to S630, S650, T630, T650) (Ship Weight 50 lbs.; Estimated install time 2 hours) (For Backhoe 8811 s/n A55809999 & below and s/n 630199999 & below, must also order p/n 7204238 from parts) | |
| 7204239 | MOUNTING KIT PARTS \$ ____ (8811 to S850 & T870) (Ship Weight 50 lbs.; Estimated install time 2 hours) (For backhoe s/n A55810370 & below and s/n 630199999 & below, must also order p/n 7204238 from parts) (Must also order Spacer Kit p/n 7168932) | |
| 7204238 | LATCH KIT PARTS \$ ____ (Required for 8811 s/n A55809999 & below and s/n 630199999 & below to S630, S650, S740, S750, S770, S850, A770, T630, T650, T740, T750, T770, T870) (Requires Mounting Kit p/n 7167510 to be compatible with K-Series loaders) | |
| 7168932 | BOB-TACH ADAPTER KIT (SPACER) \$692.00 (Required to mount 8811 to S630, S650, S740, S750, S770, S850, A770, T630, T650, T740, T750, T770, T870) | |

| PART NUMBER | DEALER INSTALLED ACCESSORIES – ORDER FROM SALES DESCRIPTION | SLP IN US \$ |
|-------------|---|--------------|
|-------------|---|--------------|

Laser Equipment

| | | |
|---|--|-----------------|
| (S130, S150, S160, S175, S185, S205) (S630, S650, S740, S750, S770) (A770) | | |
| (T140, T180, T190) (T630, T650, T740, T750, T770) | | |
| 7120486 | LASER RECEIVER, CR600 (Can be used as handheld, machine, or rod-mounted laser receiver) (Includes magnetic mount for machines and clamp mount for grader rod) | \$474.00 |

| PART NUMBER | DEALER INSTALLED ACCESSORIES – ORDER FROM PARTS DESCRIPTION |
|-------------|---|
|-------------|---|

For current Dealer Installed Accessories pricing, reference BobQuote or Dealer Parts Department.

Backhoe Mounting Kits – Non-Current

BACKHOE

BOBCAT LOADER ATTACHMENT

| | | | |
|--------------------|--|--------------------|----------|
| PIECE PARTS | MOUNTING KIT (406 to 463, S70) (Mounts included with backhoe—to install on additional loaders only.) | PIECE PARTS | |
| 7141973 | MOUNTING KIT (506 to S100, T110) | PARTS | \$ _____ |
| 7101325 | MOUNTING KIT (607 or 709 to S150, S160 and T180) (Ship Weight 160 lbs.; Estimated install time 1 hour) | PARTS | \$ _____ |
| 6718155 | MOUNTING KIT (607 or 709 S/N 2700-00301 & above to 773 G-Series or newer, S175, S185, S205 and T190 and all 709s with Fold Down Stabilizers) (Ship Weight 66 lbs.; Estimated install time 1 hour) | PARTS | \$ _____ |
| 6538707 | MOUNTING KIT (607 or 709 to 753, S130, 763, T140, however, 753 with 54" offset rim option will NOT allow Backhoe mount clearance) (Ship Weight 160 lbs.; Estimated install time 1 hour) | PARTS | \$ _____ |
| PIECE PARTS | MOUNTING KIT (905B to 453) | PARTS | \$ _____ |
| PIECE PARTS | MOUNTING KIT (905B to 553) | PARTS | \$ _____ |
| 6538426 | MOUNTING KIT, BALL TYPE (Bolts to P/N 6538707 to Mount 907 or 909 to 753) (Ship Weight 20 lbs.; Estimated install time 1 hour) | PIECE PARTS | |
| 6562446 | MOUNTING KIT (907 to 630, 640, 730, 740 Series & 909 to 730, 730 Series) (Ship Weight 28 lbs.; Estimated install time 1 hour) | PIECE PARTS | |
| PIECE PARTS | MOUNTING KIT (907 or 909 to 753) | PARTS | \$ _____ |
| PIECE PARTS | MOUNTING KIT (607 or 907 to 640 Series) | PARTS | \$ _____ |
| PIECE PARTS | MOUNTING KIT (607, 709, 907 or 909 to 740 Series) | PARTS | \$ _____ |
| PIECE PARTS | MOUNTING KIT (607s & 709 with Fold Down Stabilizers & 709 (S/N 2700-00301 & Above) to 773 F-series and prior) | PARTS | \$ _____ |
| PIECE PARTS | MOUNTING KIT (811 to 853, 863, A220, T200) | PARTS | \$ _____ |
| PIECE PARTS | MOUNTING KIT (811 to 843, however, mounting kit does not allow track clearance on 843) | PARTS | \$ _____ |
| PIECE PARTS | MOUNTING KIT (811 to 963) | PARTS | \$ _____ |
| PIECE PARTS | MOUNTING KIT (8709 to 873 F-Series, 873 G-Series & 883) | PARTS | \$ _____ |
| PIECE PARTS | MOUNTING KIT (911 to 853, 863 F-Series. Fits 863 S/N 514425684 and below. Will not work with G-Series) | PARTS | \$ _____ |
| PIECE PARTS | MOUNTING KIT (911 to 843) | PARTS | \$ _____ |
| 6587606 | MOUNTING KIT (607 (S/N 775001440 & Above), All 709s with Fold Down Stabilizers, 709 (S/N 270001200 & Above) to 853, 863, A220 and T200) (Ship Weight 120 lbs.; Estimated install time 1.5 hours) | PIECE PARTS | |
| PIECE PARTS | MOUNTING KIT (8811 to 873 and 883) (Ship Weight 31 lbs.; Estimated install time 1 hour) | PARTS | \$ _____ |

BACKHOE

BOBCAT LOADER ATTACHMENT

| PART NUMBER | DEALER INSTALLED ACCESSORIES – ORDER FROM PARTS DESCRIPTION |
|-------------|---|
|-------------|---|

For current Dealer Installed Accessories pricing, reference BobQuote or Dealer Parts Department.

Backhoe Training Kit

| | | |
|---------|---|----------|
| 6900329 | BACKHOE ATTACHMENT OPERATOR TRAINING KIT..... PARTS | \$ _____ |
| | (Spanish Version is also available P/N 6900585) | |

Hydraulic Kits

| | | |
|-------------|--|----------|
| PIECE PARTS | HYDRAULIC KIT, 709 PARTS | \$ _____ |
| | (Not compatible with 709 s/n A54M00101 & above; 709 FDS s/n A5F300101 & above) | |
| PIECE PARTS | HYDRAULIC KIT, 811 PARTS | \$ _____ |
| | (Not compatible with 8811) | |

| PART NUMBER | DEALER INSTALLED ACCESSORIES – ORDER FROM PARTS DESCRIPTION |
|-------------|---|
|-------------|---|

For current Dealer Installed Accessories pricing, reference BobQuote or Dealer Parts Department.

Street Pads

| | | |
|---------|--|----------|
| 6660164 | RUBBER STREET PAD PARTS | \$ _____ |
| | (Use with 607, 709 with Fold down or Vertical stabilizers and 8709 Backhoes) (Must order quantity of 2) | |
| 6632445 | RUBBER STREET PAD..... PARTS | \$ _____ |
| | (Use with 811 and 8811 Backhoes) (Must order quantity of 2) | |

Accessories for all Current Backhoe Buckets

| | | |
|---------|--|----------|
| 7107317 | HENSLEY FORGED TOOTH POINT PARTS | \$ _____ |
| | (Qty. 1) | |
| 7107320 | HENSLEY TIGER TOOTH POINT PARTS | \$ _____ |
| | (Qty. 1) | |
| 7107321 | HENSLEY TWIN TIGER TOOTH POINT PARTS | \$ _____ |
| | (Qty. 1) | |

| BACKHOE BUCKETS – ORDER FROM SALES | | | |
|------------------------------------|-------------|--|-------------------------|
| PART NUMBER | DESCRIPTION | SAE HEAPED CAPACITY (FT ³) | SHIP. WGT. SLP IN US \$ |

Backhoe Buckets – Current

(Bob-Tach Mounted Backhoe X-Change™ Style)

Note: These buckets are the same buckets as used with the 607 Backhoe and 325 and 328 excavators.

| | | | | |
|---------|---|------|-----|----------|
| 7333229 | 12" TRENCHING BUCKET, SMOOTH LIP | 1.33 | 167 | \$670.00 |
| 7333230 | 12" TRENCHING BUCKET, 3 WELD-ON TEETH..... | 1.33 | 173 | \$670.00 |
| 7333244 | 16" TRENCHING BUCKET, SMOOTH LIP | 1.92 | 192 | \$700.00 |
| 7333245 | 16" TRENCHING BUCKET, 3 WELD-ON TEETH..... | 1.92 | 195 | \$700.00 |
| 7333254 | 20" TRENCHING BUCKET, SMOOTH LIP | 2.53 | 226 | \$757.00 |
| 7333255 | 20" TRENCHING BUCKET, 4 BOLT-ON TEETH | 2.53 | 230 | \$757.00 |

(M06 Pin-On Style)

| | | | | |
|---------|--|-----|----|----------|
| 6715495 | 9" TRENCHING BUCKET, 2 BOLT-ON TEETH | 0.5 | 53 | \$432.00 |
| 6715496 | 12" TRENCHING BUCKET, 3 BOLT-ON TEETH..... | 0.7 | 63 | \$479.00 |

(406 Pin-On Style)

| | | | | |
|---------|--|-----|----|----------|
| 6715495 | 9" TRENCHING BUCKET, 2 BOLT-ON TEETH | 0.5 | 53 | \$432.00 |
| 6715496 | 12" TRENCHING BUCKET, 3 BOLT-ON TEETH..... | 0.7 | 63 | \$479.00 |
| 6715497 | 16" TRENCHING BUCKET, 3 BOLT-ON TEETH..... | 1.1 | 75 | \$526.00 |

Prices and Specifications

Subject to Change Without Notice

Loader Attachments

All Prices in U.S. Dollars

North American Suggested List Prices

2019 Price Book

Check BobcatNET Pricing Homepage for current Canadian exchange rate.

Page 22 of 151

| |
|--|
| <h1 style="margin: 0;">BACKHOE</h1> <h2 style="margin: 0;">BOBCAT LOADER ATTACHMENT</h2> |
|--|

| | | | | |
|----------------|---|------------|-----------|-----------------|
| 7109522 | 18" TRENCHING BUCKET, 4 BOLT-ON TEETH..... | 1.3 | 90 | \$541.00 |
| 6715498 | 20" TRENCHING BUCKET, 4 BOLT-ON TEETH..... | 1.4 | 85 | \$571.00 |

NOTE: THESE BUCKETS ARE THE SAME BUCKETS USED WITH 322 EXCAVATOR.

BACKHOE

BOBCAT LOADER ATTACHMENT

BACKHOE BUCKETS – ORDER FROM SALES

| PART NUMBER | DESCRIPTION | SAE HEAPED CAPACITY (FT ³) | SHIP. WGT. | SLP IN US \$ |
|-------------|-------------|--|------------|--------------|
|-------------|-------------|--|------------|--------------|

Backhoe Buckets – Current (Continued)

(7BH/607 X-Change™ Style)

| | | | | |
|---------|---|------|-----|----------|
| 7333229 | 12" TRENCHING BUCKET, SMOOTH LIP | 1.33 | 167 | \$670.00 |
| 7333230 | 12" TRENCHING BUCKET, 3 WELD-ON TEETH..... | 1.33 | 173 | \$670.00 |
| 7333244 | 16" TRENCHING BUCKET, SMOOTH LIP | 1.92 | 192 | \$700.00 |
| 7333245 | 16" TRENCHING BUCKET, 3 WELD-ON TEETH..... | 1.92 | 195 | \$700.00 |
| 7333254 | 20" TRENCHING BUCKET, SMOOTH LIP | 2.53 | 226 | \$757.00 |
| 7333255 | 20" TRENCHING BUCKET, 4 BOLT-ON TEETH | 2.53 | 230 | \$757.00 |
| 7333259 | 24" TRENCHING BUCKET, SMOOTH LIP | 3.14 | 254 | \$814.00 |
| 7333260 | 24" TRENCHING BUCKET, 4 BOLT-ON TEETH | 3.14 | 255 | \$814.00 |

Note: These buckets are the same buckets used with 325, 328 excavators.

(709/9BH/8709/811/8811 X-Change™ Style)

| | | | | |
|---------|---|------|-----|------------|
| 7323832 | 12" TRENCHING BUCKET, SMOOTH LIP | 1.6 | 178 | \$896.00 |
| 7323833 | 12" TRENCHING BUCKET, 3 WELD-ON TEETH..... | 1.6 | 184 | \$896.00 |
| 7324829 | 16" TRENCHING BUCKET, SMOOTH LIP | 2.31 | 206 | \$922.00 |
| 7324830 | 16" TRENCHING BUCKET, 4 WELD-ON TEETH..... | 2.31 | 208 | \$922.00 |
| 7323841 | 18" TRENCHING BUCKET, SMOOTH LIP | 2.68 | 226 | \$1,010.00 |
| 7323842 | 18" TRENCHING BUCKET, 4 WELD-ON TEETH..... | 2.68 | 231 | \$1,010.00 |
| 7323820 | 20" TRENCHING BUCKET, SMOOTH LIP | 3.05 | 241 | \$1,052.00 |
| 7323821 | 20" TRENCHING BUCKET, 4 WELD-ON TEETH | 3.05 | 244 | \$1,052.00 |
| 7323529 | 24" TRENCHING BUCKET, SMOOTH LIP | 3.8 | 238 | \$1,087.00 |
| 7323530 | 24" TRENCHING BUCKET, 4 WELD-ON TEETH..... | 3.8 | 274 | \$1,087.00 |
| 7323822 | 30" TRENCHING BUCKET, SMOOTH LIP | 4.91 | 319 | \$1,211.00 |
| 7323823 | 30" TRENCHING BUCKET, 5 WELD-ON TEETH | 4.91 | 325 | \$1,211.00 |
| 7323824 | 36" TRENCHING BUCKET, SMOOTH LIP | 6.02 | 365 | \$1,318.00 |
| 7323825 | 36" TRENCHING BUCKET, 6 WELD-ON TEETH | 6.02 | 365 | \$1,318.00 |
| 7333657 | 36" GRADING BUCKET, NO TEETH | 6.33 | 355 | \$1,247.00 |

Note: These buckets are the same buckets used with 331, 331E and 334 excavators.

DESTINATION CHARGE/FUEL SURCHARGE

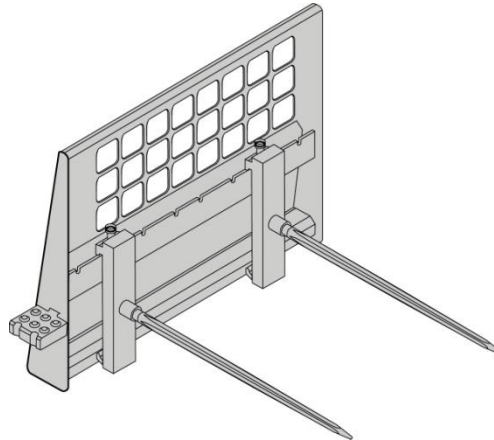
Refer to BobQuote or BobcatNET>>Other Resources>>Pricing Homepage for current Destination and Fuel Charges.

| ATTACHMENT | ASSEMBLY REQUIRED | INSTALLATION TIME (HOURS) |
|------------|-------------------|---------------------------|
|------------|-------------------|---------------------------|

| | | |
|--------------------|--|---------|
| Backhoe, S70 | Install backhoe on S70 loader & bucket on backhoe | 0.5 |
| Backhoe..... | Install mounting kit on loader & bucket on backhoe | 1.0-2.0 |

BALE FORKS

BOBCAT LOADER ATTACHMENT



Bale Forks with Pallet Fork Frame

QUICK SPECS

Weight Forks..... 100 lbs.
 Operating Capacity..... Based on machine's rated operating capacity
 Length of Fork 40.8"

| PART NUMBER | ATTACHMENT DESCRIPTION | SLP IN US \$ |
|--|---|--------------|
| (S100, S130, S150, S160, S175, S185, S205) (S510, S530, S550, S570, S590, S595, S630, S650, S740, S750, S770, S850) (A770) (T140, T180, T190) (T630, T650, T740, T750, T770, T870) | | |
| 6815781 | BALE FORKS, SET OF 2..... (Must also order pallet fork frame p/n 6712927 or 7109332) | \$682.00 |

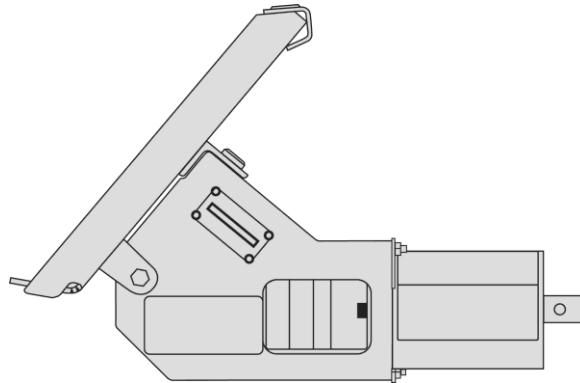
DESTINATION CHARGE/FUEL SURCHARGE

Refer to BobQuote or BobcatNET>>Other Resources>>Pricing Homepage for current Destination and Fuel Charges.

| ATTACHMENT | ASSEMBLY REQUIRED | INSTALLATION TIME (HRS.) |
|-----------------|-------------------|--------------------------|
| Bale Forks..... | None..... | - |

BORING UNIT

BOBCAT LOADER ATTACHMENT



QUICK SPECS

| | |
|--|----------|
| Operating Weight (without bit)..... | 130 lbs. |
| Overall Width..... | 36" |
| Overall Height..... | 17.5" |
| Overall Length..... | 26.75" |
| Maximum recommended boring distance..... | 30' |

| PART NUMBER | ATTACHMENT DESCRIPTION | SLP IN US \$ |
|-------------|------------------------|--------------|
|-------------|------------------------|--------------|

| | | |
|---------------------------------------|--|-------------------|
| (MT50, MT52, MT55, MT85) (S70) | | |
| 7110098 | BORING UNIT (Includes drive unit and guide tool) | \$2,412.00 |

| PART NUMBER | DEALER INSTALLED ACCESSORIES – ORDER FROM PARTS DESCRIPTION |
|-------------|---|
|-------------|---|

For current Dealer Installed Accessories pricing, reference BobQuote or Dealer Parts Department.

| | | | |
|----------------|--|-------|----------|
| 7110583 | BORING TOOLS KIT (Includes (5) 5' drilling rods, 1 3/4" boring bit, 2 7/8" reamer bit, swivel shank, button repair kit (qty. 12), and uncoupling tool) (Use with up to 2 1/2" outside diameter material) | PARTS | \$ _____ |
| 6687659 | DRILL ROD, 5' | PARTS | \$ _____ |
| 6577076 | DRILL ROD, 10' | PARTS | \$ _____ |

**THE FOLLOWING BORING AND REAMING BITS SHOULD BE USED TOGETHER FOR PROPER EFFICIENCY
ALL REAMING BITS INCLUDE A SWIVEL SHANK**

| | | | |
|----------------|----------------------------------|-------|----------|
| 6687657 | BORING BIT, 1 1/4" | PARTS | \$ _____ |
| 6687656 | REAMING BIT, 2" | PARTS | \$ _____ |
| 6577077 | BORING BIT, 1 3/4" | PARTS | \$ _____ |
| 6577298 | REAMING BIT, 2 7/8" | PARTS | \$ _____ |
| 6577078 | BORING BIT, 2" | PARTS | \$ _____ |
| 6577080 | REAMING BIT, 3 1/2" | PARTS | \$ _____ |
| 6687658 | BORING BIT, 2 1/2" | PARTS | \$ _____ |
| 6577299 | REAMING BIT, 4 1/2" | PARTS | \$ _____ |

BORING UNIT

BOBCAT LOADER ATTACHMENT

PART DEALER INSTALLED ACCESSORIES – ORDER FROM PARTS
NUMBER DESCRIPTION

For current Dealer Installed Accessories pricing, reference BobQuote or Dealer Parts Department.

THE FOLLOWING CARBIDE BITS AND AUGERS SHOULD BE USED TOGETHER WHEN BORING THROUGH
 HARD CLAYS, SHALE, HARDPAN, SANDSTONE AND ROOT IMPREGNATED AREAS.

| | | | |
|---------|---|-------|----------|
| 6577302 | CARBIDE HEAD, 2 1/2" | PARTS | \$ _____ |
| 6687653 | AUGER, 4' X 2 3/8" | PARTS | \$ _____ |
| 6688364 | CARBIDE HEAD, 3 5/8" | PARTS | \$ _____ |
| 6687654 | AUGER, 4' X 3 1/4" | PARTS | \$ _____ |
| 6687652 | CARBIDE HEAD, 4 1/2" | PARTS | \$ _____ |
| 6687655 | AUGER, 4' X 4" | PARTS | \$ _____ |
| 7102514 | CABLE PULL KIT, 0.50-0.99" DIAMETER | PARTS | \$ _____ |
| 7100498 | CABLE PULL KIT, 1.00-1.24" DIAMETER | PARTS | \$ _____ |
| 7102515 | CABLE PULL KIT, 1.25-1.49" DIAMETER | PARTS | \$ _____ |
| 7100499 | PIPE PULL KIT, 1.00-1.50" PIPE | PARTS | \$ _____ |

DESTINATION CHARGE/FUEL SURCHARGE

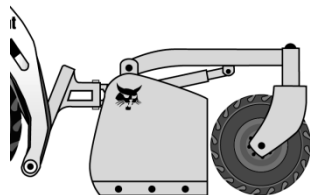
Refer to BobQuote or BobcatNET>>Other Resources>>Pricing Homepage for current Destination and Fuel Charges.

| | |
|--------------------------|---------------------|
| | INSTALLATION |
| ASSEMBLY REQUIRED | TIME (HOURS) |
| ATTACHMENT | |

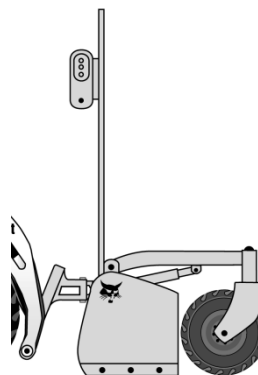
| | |
|--|---|
| ⁷⁵ Boring Unit.....None..... | - |
|--|---|

BOX BLADE

BOBCAT LOADER ATTACHMENT



Box Blade



Box Blade with Laser Receiver

QUICK SPECS

| | <u>Box Blade</u> | <u>Box Blade with Laser Receiver</u> |
|--|-------------------|--------------------------------------|
| Operating Weight..... | 980 lbs. (445 kg) | 1020 lbs. (464 kg) |
| Height..... | 32.0" (813 mm) | 32.0" (813 mm) |
| Width..... | 85.5" (2173 mm) | 85.5" (2173 mm) |
| Moldboard Width..... | 84.0" (2134 mm) | 84.0" (2134 mm) |
| Moldboard Cutting Edge (Reversible) .. | 1/2" x 6" | 1/2" x 6" |
| Grade Accuracy with Laser..... | N/A | +/- 1/4" |

| PART NUMBER | ATTACHMENT DESCRIPTION | SLP IN US \$ |
|-------------|------------------------|--------------|
|-------------|------------------------|--------------|

(S150, S160, S175, S185, S205) (S510, S530, S550, S570, S590, S595, S630, S650, S740, S750, S770)
(A770) (T140, T180, T190) (T450, T550, T590, T595, T630, T650)

6906574 84" BOX BLADE..... \$4,287.00
(Used for rough grading and landscaping)

(S150, S160, S175, S185, S205) (S510, S530, S550, S570, S590, S595, S630, S650, S740, S750, S770)
(A770) (T140, T180, T190) (T450, T550, T590, T595, T630, T650)

6906676 84" BOX BLADE WITH LASER MOUNTING..... \$6,626.00
(Must also order receiver p/n 7160486)
(Approved for use only on BICS loaders.) (Includes integrated laser control)
(May also need laser transmitter and tripod—unless customer has this equipment.)
(The laser receiver will work with most rotating laser beacons)
(Loader must be equipped with an Attachment Control Kit – See Page 1 or 2)
(If installing on loader with 14-Pin Attachment Control, must also order 14-Pin Attachment T-Harness P/N 7164095)

BOX BLADE

BOBCAT LOADER ATTACHMENT

| PART NUMBER | DEALER INSTALLED ACCESSORIES – ORDER FROM SALES DESCRIPTION | SLP IN US \$ |
|-------------|--|--------------|
| 7275232 | LASER TRANSMITTER, DUAL SLOPE..... (Trimble GL422N; includes CR600 receiver) | \$2,679.00 |
| 6688806 | TRIPOD..... | \$268.00 |
| 7160486 | LASER RECEIVER, BLR2 (Must order 1 for use with laser kit) (For use with Laser Box Blade S/N 657500370 and above). (May also need a laser transmitter and tripod—unless customer has this equipment.) (The laser receivers will work with most rotating laser transmitters. | \$2,099.00 |

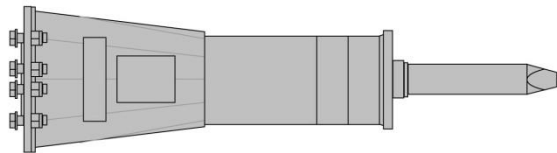
DESTINATION CHARGE/FUEL SURCHARGE

Refer to BobQuote or BobcatNET>>Other Resources>>Pricing Homepage for current Destination and Fuel Charges.

| ATTACHMENT | ASSEMBLY REQUIRED | INSTALLATION TIME (HOURS) |
|------------------------------------|---------------------------|---------------------------|
| Box Blade..... | Install cylinder pin..... | .25 |
| Box Blade with Laser Receiver..... | Install cylinder pin..... | .25 |

BREAKER, HYDRAULIC

BOBCAT LOADER ATTACHMENT



QUICK SPECS

| | <u>HB680</u> | <u>HB880</u> | <u>HB980</u> |
|--|----------------------|----------------------|----------------------|
| Operating Weight (nail point/loader frame) | 494 lbs. | 736 lbs. | 876 lbs. |
| Operating Weight (nail point/cap & frame) | 632 lbs. | 786 lbs. | 1082 lbs. |
| Impact Energy Class | 150 ft. lb. | 300 ft. lb. | 500 ft. lb. |
| CIMA Tool Energy Rating | 143 ft. lb. | 207 ft. lb. | 282 ft. lb. |
| Blows per Minute | 1340 @ 13 gpm | 1310 @ 17 gpm | 1450 @ 21 gpm |
| Flow Requirements | 7-13 gpm | 8-17 gpm | 12-21 gpm |
| Tool Working Length | 13.0" | 13.0" | 14.0" |
| Tool Diameter | 2.2" | 2.6" | 2.8" |
| <i>Estimated Breaker Performance with Concrete</i> | | | |
| Recommended Working Thickness... | 2 - 4" | 4 - 10" | 6 - 14" |
| Demolished Volume per Hour | | | |
| Non-Reinforced Concrete | 1 - 4 cu. yd | 4 - 12 cu. yd | 5 - 15 cu. yd |
| Reinforced Concrete | 1 - 3 cu. yd | 1 - 4 cu. yd | 2 - 6 cu. yd |
| | <u>HB1180</u> | <u>HB1380</u> | <u>HB2380</u> |
| Operating Weight (nail point/loader frame) | 1050 lbs. | 1161 lbs. | 1215 lbs. |
| Operating Weight (nail point/cap & frame) | 1130 lbs. | N/A | N/A |
| Impact Energy Class | 750 ft. lb. | 850 ft. lb. | 1000 ft. lb. |
| CIMA Tool Energy Rating | 384 ft. lb. | 515 ft. lb. | 700 ft. lb. |
| Blows per Minute | 1280 @ 26 gpm | 1230 @ 32 gpm | 910 @ 33 gpm |
| Flow Requirements | 15-26 gpm | 17-32 gpm | 20-33 gpm |
| Tool Working Length | 16.0" | 17.0" | 18.0" |
| Tool Diameter | 3.0" | 3.4" | 3.8" |
| <i>Estimated Breaker Performance with Concrete</i> | | | |
| Recommended Working Thickness... | 8 - 16" | 10 - 18" | 12 - 20" |
| Demolished Volume per Hour | | | |
| Non-Reinforced Concrete | 6 - 15 cu. yd | 8 - 18 cu. yd | 10 - 20 cu. yd |
| Reinforced Concrete | 2 - 7 cu. yd | 3 - 8 cu. yd | 4 - 9 cu. yd |

BREAKER, HYDRAULIC

BOBCAT LOADER ATTACHMENT

| PART NUMBER | ATTACHMENT DESCRIPTION | SLP IN US \$ |
|-------------|------------------------|--------------|
|-------------|------------------------|--------------|

(MT50, MT52, MT55, MT85) (S70)

| | | |
|---------|--|--------------------|
| 7113419 | HB680 BREAKER..... (Includes Nail Point, fixing cap bolts, cradle, isolation mount, gauge tool, retainer clip and hose protector) (Must also order Loader Mounting Frame and Hose Kit) (Special Applications Kit must be used when operating a Hydraulic Breaker) (When installing on MT50, must also order Shutdown Kit, p/n 6735945) | \$4,4563.00 |
|---------|--|--------------------|

| PART NUMBER | DEALER INSTALLED ACCESSORIES – ORDER FROM SALES DESCRIPTION | SLP IN US \$ |
|-------------|---|--------------|
|-------------|---|--------------|

Mounting Frames – HB680

| | | |
|---------|---|-----------------|
| 7113736 | BOB-TACH LOADER MOUNTING FRAME..... (Must also order a hose kit, P/N 6727411) | \$649.00 |
| 7272954 | BREAKER FRAME CII, MT85 (Must also order a hose kit, P/N 6727411) | \$666.00 |
| 7150181 | LOADER X-CHANGE MOUNTING FRAME (Uses X-Change pin-through design) (Must also order Breaker X-Change Mounting Cap p/n 7113656. This allows breaker with X-Change Mounting Cap to be installed on loader) (Must also order a hose kit, P/N 6727411) | \$953.00 |
| 7113656 | X-CHANGE MOUNTING CAP..... | \$474.00 |

Accessories – HB680

| | | |
|---------|--|-----------------|
| 6727411 | HOSE KIT (Includes hoses and quick couplers) | \$186.00 |
|---------|--|-----------------|

| PART NUMBER | DEALER INSTALLED ACCESSORIES – ORDER FROM PARTS DESCRIPTION |
|-------------|---|
|-------------|---|

For current Dealer Installed Accessories pricing, reference BobQuote or Dealer Parts Department.

Breaker Tools – HB680

| | | |
|---------|------------------------------------|----------------|
| 7144681 | BLUNT | PARTS \$ _____ |
| 7144676 | CONICAL POINT (MOIL) | PARTS \$ _____ |
| 7144679 | CROSS CUT ASPHALT..... | PARTS \$ _____ |
| 7144673 | CROSS CUT CHISEL..... | PARTS \$ _____ |
| 7144677 | CROSS CUT WIDE CHISEL | PARTS \$ _____ |
| 7144680 | IN-LINE ASPHALT..... | PARTS \$ _____ |
| 7144674 | IN-LINE CHISEL..... | PARTS \$ _____ |
| 7144678 | IN-LINE WIDE CHISEL | PARTS \$ _____ |
| 7149302 | NAIL POINT..... | PARTS \$ _____ |
| 7144682 | TAMPING..... | PARTS \$ _____ |

BREAKER, HYDRAULIC

BOBCAT LOADER ATTACHMENT

| PART NUMBER | ATTACHMENT DESCRIPTION | SLP IN US \$ |
|-------------|------------------------|--------------|
|-------------|------------------------|--------------|

(S100, S130, S150, S160, S175, S185, S205) (S450, S510, S530, S550, S570, S590, S595)
(T110, T140, T180, T190) (T450, T550, T590, T595)

| | | |
|---------|--|-------------------|
| 7113420 | HB880 BREAKER (Includes Nail Point, flow control valve, fixing cap bolts, cradle, isolation mount, gauge tool, retainer clip and hose protector) (Must also order Loader Mounting Frame and Hose Kit) (Special Applications Kit must be used when operating a Hydraulic Breaker) | \$6,465.00 |
|---------|--|-------------------|

| PART NUMBER | DEALER INSTALLED ACCESSORIES – ORDER FROM SALES DESCRIPTION | SLP IN US \$ |
|-------------|---|--------------|
|-------------|---|--------------|

Mounting Frame – HB880

| | | |
|---------|---|-------------------|
| 7113737 | LOADER MOUNTING FRAME (Breaker mounting frame allows for breaking horizontal or vertical surfaces) (Must also order a hose kit, P/N 7114764) | \$690.00 |
| 7113738 | HORIZONTAL LOADER MOUNTING FRAME (Recommended mounting frame for horizontal surface breaking only) (Must also order a hose kit, P/N 7114764) | \$732.00 |
| 7141800 | LOADER X-CHANGE MOUNTING FRAME (Allows breaker with X-Change Mounting Cap to be installed on loader, breaker can then be used on excavator and loader. Uses X-Change pin-through design) (Breaker mounting frame allows for breaking horizontal or vertical surfaces) (Must also order Breaker X-Change Mounting Cap P/N 7113657) (Must also order a hose kit, P/N 7114764) | \$1,015.00 |
| 7113657 | X-CHANGE MOUNTING CAP | \$489.00 |

Accessories – HB880

| | | |
|---------|--|-----------------|
| 7114764 | HOSE KIT (Ship Weight 20 lbs.) | \$211.00 |
|---------|--|-----------------|

| PART NUMBER | DEALER INSTALLED ACCESSORIES – ORDER FROM PARTS DESCRIPTION |
|-------------|---|
|-------------|---|

For current Dealer Installed Accessories pricing, reference BobQuote or Dealer Parts Department.

Breaker Tools – HB880

| | | | | |
|---------|-----------------------------|-------|----|--|
| 7144696 | BLUNT | PARTS | \$ | |
| 7144691 | CONICAL POINT (MOIL) | PARTS | \$ | |
| 7144694 | CROSS CUT ASPHALT | PARTS | \$ | |
| 7144688 | CROSS CUT CHISEL | PARTS | \$ | |
| 7144692 | CROSS CUT WIDE CHISEL | PARTS | \$ | |
| 7144695 | IN-LINE ASPHALT | PARTS | \$ | |
| 7144689 | IN-LINE CHISEL | PARTS | \$ | |
| 7144693 | IN-LINE WIDE CHISEL | PARTS | \$ | |
| 7144690 | NAIL POINT | PARTS | \$ | |
| 7144697 | TAMPING | PARTS | \$ | |

BREAKER, HYDRAULIC

BOBCAT LOADER ATTACHMENT

| PART NUMBER | ATTACHMENT DESCRIPTION | SLP IN US \$ |
|-------------|------------------------|--------------|
|-------------|------------------------|--------------|

(S100, S130, S150, S160, S175, S185, S205)
 (S450, S510, S530, S550, S570, S590, S595, S630*, S650*, S740*, S750*, S770*) (A770*)
 (T110, T140, T180, T190) (T450, T550, T590, T595, T630*, T650*, T740*, T750*, T770*)

| | | |
|---------|--|-------------------|
| 7113421 | HB980 BREAKER (Includes Nail Point, flow control valve, fixing cap bolts, cradle, isolation mount, gauge tool, retainer clip and hose protector) (Must also order Loader Mounting Frame and Hose Kit) (Special Applications Kit must be used when operating a Hydraulic Breaker) | \$8,098.00 |
|---------|--|-------------------|

*May need to order Flow Control Valve Kit for M-Series, see below for details

| PART NUMBER | DEALER INSTALLED ACCESSORIES – ORDER FROM SALES DESCRIPTION | SLP IN US \$ |
|-------------|---|--------------|
|-------------|---|--------------|

Mounting Frame –HB980

| | | |
|---------|---|-------------------|
| 7113737 | LOADER MOUNTING FRAME (Breaker mounting frame allows for breaking horizontal or vertical surfaces.) (Must also order a hose kit, P/N 7114764) | \$690.00 |
| 7113738 | HORIZONTAL LOADER MOUNTING FRAME (Recommended mounting frame for horizontal surface breaking only) (Must also order a hose kit, P/N 7114764) | \$732.00 |
| 7141800 | LOADER X-CHANGE MOUNTING FRAME (Allows breaker with X-Change Mounting Cap to be installed on loader, breaker can then be used on excavator and loader. Uses X-Change pin-through design) (Breaker mounting frame allows for breaking horizontal or vertical surfaces) (Must also order Breaker X-Change Mounting Cap P/N 7113657) (Must also order a hose kit, P/N 7114764) | \$1,015.00 |
| 7113657 | X-CHANGE MOUNTING CAP | \$489.00 |

Accessories –HB980

| | | |
|---------|-----------------------|-----------------|
| 7114764 | HOSE KIT | \$211.00 |
|---------|-----------------------|-----------------|

| PART NUMBER | DEALER INSTALLED ACCESSORIES – ORDER FROM PARTS DESCRIPTION |
|-------------|---|
|-------------|---|

For current Dealer Installed Accessories pricing, reference BobQuote or Dealer Parts Department.

| | | |
|---------|--|--|
| 7177744 | FLOW CONTROL VALVE KIT, FOR M-SERIES PARTS \$ _____ (Required for use with S630-T770 M-Series Loaders) (Standard on new breakers starting 1 June 09) | |
|---------|--|--|

Breaker Tools –HB980

| | | |
|---------|---|--|
| 7144707 | BLUNT PARTS \$ _____ | |
| 7144702 | CONICAL POINT (MOIL) PARTS \$ _____ | |
| 7144705 | CROSS CUT ASPHALT PARTS \$ _____ | |
| 7144699 | CROSS CUT CHISEL PARTS \$ _____ | |
| 7144703 | CROSS CUT WIDE CHISEL PARTS \$ _____ | |
| 7144706 | IN-LINE ASPHALT PARTS \$ _____ | |
| 7144700 | IN-LINE CHISEL PARTS \$ _____ | |
| 7144704 | IN-LINE WIDE CHISEL PARTS \$ _____ | |
| 7144701 | NAIL POINT PARTS \$ _____ | |
| 7144708 | TAMPING PARTS \$ _____ | |

BREAKER, HYDRAULIC

BOBCAT LOADER ATTACHMENT

| PART NUMBER | ATTACHMENT DESCRIPTION | SLP IN US \$ |
|-------------|------------------------|--------------|
|-------------|------------------------|--------------|

(S630, S650, S740, S750, S770, S850) (A770) (T630, T650, T740, T750, T770, T870)

| | | |
|---------|--|--------------------|
| 7115923 | HB1180 BREAKER (Includes Nail Point, fixing cap bolts, cradle, isolation mount, gauge tool, retainer clip and hose protector) (Must also order Loader Mounting Frame and Hose Kit) (Special Applications Kit must be used when operating a Hydraulic Breaker) | \$10,647.00 |
|---------|--|--------------------|

| PART NUMBER | DEALER INSTALLED ACCESSORIES – ORDER FROM SALES DESCRIPTION | SLP IN US \$ |
|-------------|---|--------------|
|-------------|---|--------------|

Mounting Frame –HB1180

| | | |
|---------|--|-----------------|
| 7115937 | LOADER MOUNTING FRAME (Breaker mounting frame allows for breaking horizontal or vertical surfaces.) (Must also order a hose kit, P/N 7114764) | \$788.00 |
| 7117325 | X-CHANGE MOUNTING CAP | \$571.00 |

Accessories –HB1180

| | | |
|---------|-----------------------|-----------------|
| 7114764 | HOSE KIT | \$211.00 |
|---------|-----------------------|-----------------|

| PART NUMBER | DEALER INSTALLED ACCESSORIES – ORDER FROM PARTS DESCRIPTION |
|-------------|---|
|-------------|---|

For current Dealer Installed Accessories pricing, reference BobQuote or Dealer Parts Department.

Breaker Tools –HB1180

| | | |
|---------|------------------------------------|----------------|
| 7144718 | BLUNT | PARTS \$ _____ |
| 7144713 | CONICAL POINT (MOIL) | PARTS \$ _____ |
| 7144716 | CROSS CUT ASPHALT | PARTS \$ _____ |
| 7144714 | CROSS CUT WIDE CHISEL | PARTS \$ _____ |
| 7144717 | IN-LINE ASPHALT | PARTS \$ _____ |
| 7144711 | IN-LINE CHISEL | PARTS \$ _____ |
| 7144712 | NAIL POINT | PARTS \$ _____ |
| 7144719 | TAMPING | PARTS \$ _____ |
| 7144715 | IN-LINE WIDE CHISEL | PARTS \$ _____ |

BREAKER, HYDRAULIC

BOBCAT LOADER ATTACHMENT

| PART NUMBER | ATTACHMENT DESCRIPTION | SLP IN US \$ |
|-------------|------------------------|--------------|
|-------------|------------------------|--------------|

(S740, S750, S770, S850) (A770) (T740, T750, T770, T870)

| | | |
|---------|--|--------------------|
| 7157576 | HB1380 BREAKER (Includes Nail Point, fixing cap bolts, cradle, isolation mount, gauge tool, retainer clip and hose protector) (Must also order Loader Mounting Frame and Hose Kit) (Special Applications Kit must be used when operating a Hydraulic Breaker) | \$13,212.00 |
|---------|--|--------------------|

| PART NUMBER | DEALER INSTALLED ACCESSORIES – ORDER FROM SALES DESCRIPTION | SLP IN US \$ |
|-------------|---|--------------|
|-------------|---|--------------|

Mounting Frame – HB1380

| | | |
|---------|--|-----------------|
| 7115937 | LOADER MOUNTING FRAME (Breaker mounting frame allows for breaking horizontal or vertical surfaces.) (Must also order a hose kit, P/N 7114764) | \$788.00 |
| 7117325 | X-CHANGE MOUNTING CAP | \$571.00 |

Accessories – HB1380

| | | |
|---------|-----------------------|-----------------|
| 7114764 | HOSE KIT | \$211.00 |
|---------|-----------------------|-----------------|

| PART NUMBER | DEALER INSTALLED ACCESSORIES – ORDER FROM PARTS DESCRIPTION |
|-------------|---|
|-------------|---|

For current Dealer Installed Accessories pricing, reference BobQuote or Dealer Parts Department.

Breaker Tools – HB1380

| | | | |
|---------|------------------------------------|-------|----------|
| 7163375 | BLUNT | PARTS | \$ _____ |
| 7163370 | CONICAL POINT (MOIL) | PARTS | \$ _____ |
| 7163373 | CROSS CUT ASPHALT | PARTS | \$ _____ |
| 7163367 | CROSS CUT CHISEL | PARTS | \$ _____ |
| 7163371 | CROSS CUT WIDE CHISEL | PARTS | \$ _____ |
| 7163374 | IN-LINE ASPHALT | PARTS | \$ _____ |
| 7163368 | IN-LINE CHISEL | PARTS | \$ _____ |
| 7163369 | NAIL POINT | PARTS | \$ _____ |
| 7163372 | WIDE CHISEL | PARTS | \$ _____ |

BREAKER, HYDRAULIC

BOBCAT LOADER ATTACHMENT

| PART NUMBER | ATTACHMENT DESCRIPTION | SLP IN US \$ |
|-------------|------------------------|--------------|
|-------------|------------------------|--------------|

(S740, S750, S770, S850) (A770) (T740, T750, T770, T870)

| | | |
|---------|---|--|
| 7133203 | HB2380 BREAKER \$16,236.00 (Includes Nail Point, fixing cap bolts, cradle, isolation mount, and hose protector) (Must also order Loader Mounting Frame and Hose Kit) (Special Applications Kit must be used when operating a Hydraulic Breaker) | |
|---------|---|--|

| PART NUMBER | DEALER INSTALLED ACCESSORIES – ORDER FROM SALES DESCRIPTION | SLP IN US \$ |
|-------------|---|--------------|
|-------------|---|--------------|

Mounting Frames – HB2380

| | | |
|---------|---|--|
| 7115937 | LOADER MOUNTING FRAME \$788.00 (Breaker mounting frame allows for breaking horizontal or vertical surfaces.) (Must also order a hose kit, P/N 7114764) | |
|---------|---|--|

Accessories – HB2380

| | | |
|---------|---|--|
| 7141851 | AUTO-GREASE KIT \$1,901.00 | |
| 7114764 | HOSE KIT \$211.00 | |

| PART NUMBER | DEALER INSTALLED ACCESSORIES – ORDER FROM PARTS DESCRIPTION |
|-------------|---|
|-------------|---|

For current Dealer Installed Accessories pricing, reference BobQuote or Dealer Parts Department.

Breaker Tools – HB2380

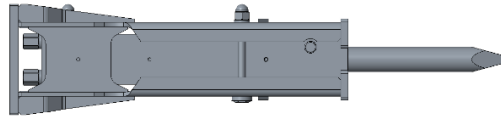
| | | |
|---------|---|--|
| 7144728 | BLUNT PARTS \$ _____ | |
| 7144723 | CONICAL POINT (MOIL) PARTS \$ _____ | |
| 7144726 | CROSS CUT ASPHALT PARTS \$ _____ | |
| 7144720 | CROSS CUT CHISEL PARTS \$ _____ | |
| 7144724 | CROSS CUT WIDE CHISEL PARTS \$ _____ | |
| 7144727 | IN-LINE ASPHALT PARTS \$ _____ | |
| 7144721 | IN-LINE CHISEL PARTS \$ _____ | |
| 7144722 | NAIL POINT PARTS \$ _____ | |
| 7144725 | WIDE CHISEL PARTS \$ _____ | |

| DESTINATION CHARGE/FUEL SURCHARGE |
|---|
| Refer to BobQuote or BobcatNET>>Other Resources>>Pricing Homepage for current Destination and Fuel Charges. |

| ATTACHMENT | ASSEMBLY REQUIRED | INSTALLATION TIME (HOURS) |
|------------|-------------------|---------------------------|
|------------|-------------------|---------------------------|

| | | |
|-------------------------------|------------------------------------|------|
| Special Applications Kit..... | Install Kit | 2.00 |
| HB2380 | Install grease kit on HB2380 | 1.00 |

BREAKER, NITROGEN BOBCAT LOADER ATTACHMENT



QUICK SPECS

| | <u>NB140</u> | <u>NB150</u> | <u>NB160</u> |
|--|---------------------|---------------------|---------------------|
| Operating Weight (nail point/loader frame)..... | 508 lbs. | 737 lbs. | 1002 lbs. |
| Operating Weight (nail point/cap & frame) | 646 lbs. | 786 lbs. | 1287 lbs. |
| Impact Energy Class | 350 ft. lb. | 550 ft. lb. | 900 ft. lb. |
| AEM Tool Energy Rating..... | 81 ft. lb. | 243 ft. lb. | 592 ft. lb. |
| Blows per Minute | 1022 @ 13.2 gpm | 1075 @ 20.4 gpm | 979 @ 23.3 gpm |
| Flow Requirements..... | 7-13 gpm | 13-20 gpm | 13-24 gpm |
| Tool Working Length | 14.6" | 13.0" | 18.4" |
| Tool Diameter..... | 2.2" | 2.6" | 2.8" |
| <i>Estimated Breaker Performance with Concrete</i> | | | |
| Recommended Working Thickness... | 1 - 5" | 6 - 15" | 10 - 20" |
| Demolished Volume per Hour | | | |
| Non-Reinforced Concrete..... | 1 - 4 cu. yd | 4 - 15 cu. yd | 6 - 20 cu. yd |
| Reinforced Concrete | 1 - 3 cu. yd | 1 - 6 cu. yd | 3 - 8 cu. yd |
| | | | |
| | <u>NB170</u> | <u>NB180</u> | |
| Operating Weight (nail point/loader frame)..... | 1207 lbs. | 1344 lbs. | |
| Operating Weight (nail point/cap & frame) | N/A | N/A | |
| Impact Energy Class | 1200 ft. lb. | 1500 ft. lb. | |
| AEM Tool Energy Rating..... | 759 ft. lb. | 996 ft. lb. | |
| Blows per Minute | 965 @ 21.9 gpm | 1000 @ 29 gpm | |
| Flow Requirements..... | 11-24 gpm | 15-30 gpm | |
| Tool Working Length | 21.9" | 22.7" | |
| Tool Diameter..... | 3.2" | 3.7" | |
| <i>Estimated Breaker Performance with Concrete</i> | | | |
| Recommended Working Thickness... | 12 - 22" | 14 - 24" | |
| Demolished Volume per Hour | | | |
| Non-Reinforced Concrete..... | 8 - 20 cu. yd | 11 - 25 cu. yd | |
| Reinforced Concrete | 4 - 10 cu. yd | 5 - 16 cu. yd | |

BREAKER, NITROGEN BOBCAT LOADER ATTACHMENT

| PART NUMBER | ATTACHMENT DESCRIPTION | SLP IN US \$ |
|-------------|------------------------|--------------|
|-------------|------------------------|--------------|

(MT50, MT52, MT55, MT85) (S70)

| | | |
|---------|---|-------------------|
| 7355666 | NB140 BREAKER (Includes Nail Point & fixing cap bolts) (Must also order Loader Mounting Frame and Hose Kit) (Special Applications Kit must be used when operating a Hydraulic Breaker) (When installing on MT50, must also order Shutdown Kit, p/n 6735945) | \$3,777.00 |
|---------|---|-------------------|

| PART NUMBER | DEALER INSTALLED ACCESSORIES – ORDER FROM SALES DESCRIPTION | SLP IN US \$ |
|-------------|---|--------------|
|-------------|---|--------------|

Mounting Frames –NB140

| | | |
|---------|--|-----------------|
| 7113736 | BOB-TACH LOADER MOUNTING FRAME..... (Must also order a hose kit, P/N 6727411) | \$649.00 |
| 7272954 | BREAKER FRAME CII, MT85 (Must also order a hose kit, P/N 6727411) | \$666.00 |
| 7150181 | LOADER X-CHANGE MOUNTING FRAME (Uses X-Change pin-through design) (Must also order Breaker X-Change Mounting Cap p/n 7113656. This allows breaker with X-Change Mounting Cap to be installed on loader) (Must also order a hose kit, P/N 6727411) | \$953.00 |
| 7113656 | X-CHANGE MOUNTING CAP..... | \$474.00 |

Accessories – NB140

| | | |
|---------|--|-----------------|
| 6727411 | HOSE KIT (Includes hoses and quick couplers) | \$186.00 |
|---------|--|-----------------|

| PART NUMBER | DEALER INSTALLED ACCESSORIES – ORDER FROM PARTS DESCRIPTION |
|-------------|---|
|-------------|---|

For current Dealer Installed Accessories pricing, reference BobQuote or Dealer Parts Department.

Breaker Tools – NB140

| | | | |
|---------|-----------------------------------|-------|----------|
| 7357286 | CONICAL POINT (MOIL) | PARTS | \$ _____ |
| 7357288 | CROSS CUT CHISEL..... | PARTS | \$ _____ |
| 7357287 | IN-LINE CHISEL..... | PARTS | \$ _____ |
| 7357285 | NAIL POINT..... | PARTS | \$ _____ |

BREAKER, NITROGEN

BOBCAT LOADER ATTACHMENT

| PART NUMBER | ATTACHMENT DESCRIPTION | SLP IN US \$ |
|-------------|------------------------|--------------|
|-------------|------------------------|--------------|

(S100, S130, S150, S160, S175, S185, S205) (S450, S510, S530, S550, S570, S590, S595)

(T110, T140, T180, T190) (T450, T550, T590, T595)

| | | |
|---------|---|-------------------|
| 7234534 | NB150 BREAKER (Includes Nail Point & fixing cap bolts) (Must also order Loader Mounting Frame and Hose Kit) (Special Applications Kit must be used when operating a Hydraulic Breaker) | \$5,016.00 |
|---------|---|-------------------|

| PART NUMBER | DEALER INSTALLED ACCESSORIES – ORDER FROM SALES DESCRIPTION | SLP IN US \$ |
|-------------|---|--------------|
|-------------|---|--------------|

Mounting Frame – NB150

| | | |
|---------|--|-------------------|
| 7113737 | LOADER MOUNTING FRAME (Breaker mounting frame allows for breaking horizontal or vertical surfaces) (Must also order a hose kit, P/N 7114764) | \$690.00 |
| 7113738 | HORIZONTAL LOADER MOUNTING FRAME (Recommended mounting frame for horizontal surface breaking only) (Must also order a hose kit, P/N 7114764) | \$732.00 |
| 7141800 | LOADER X-CHANGE MOUNTING FRAME (Allows breaker with X-Change Mounting Cap to be installed on loader, breaker can then be used on excavator and loader. Uses X-Change pin-through design) (Breaker mounting frame allows for breaking horizontal or vertical surfaces) (Must also order Breaker X-Change Mounting Cap P/N 7113657) (Must also order a hose kit, P/N 7114764) | \$1,015.00 |
| 7113657 | X-CHANGE MOUNTING CAP | \$498.00 |

Accessories – NB150

| | | |
|---------|--|-----------------|
| 7114764 | HOSE KIT (Ship Weight 20 lbs.) | \$211.00 |
|---------|--|-----------------|

| PART NUMBER | DEALER INSTALLED ACCESSORIES – ORDER FROM PARTS DESCRIPTION | |
|-------------|---|--|
|-------------|---|--|

For current Dealer Installed Accessories pricing, reference BobQuote or Dealer Parts Department.

Breaker Tools – NB150

| | | |
|---------|-----------------------------------|----------------|
| 7357294 | BLUNT | PARTS \$ _____ |
| 7357291 | CONICAL POINT (MOIL) | PARTS \$ _____ |
| 7357923 | CROSS CUT CHISEL | PARTS \$ _____ |
| 7357292 | IN-LINE CHISEL | PARTS \$ _____ |
| 7357290 | NAIL POINT | PARTS \$ _____ |

BREAKER, NITROGEN

BOBCAT LOADER ATTACHMENT

| PART NUMBER | ATTACHMENT DESCRIPTION | SLP IN US \$ |
|-------------|------------------------|--------------|
|-------------|------------------------|--------------|

(S100, S130, S150, S160, S175, S185, S205)
 (S450, S510, S530, S550, S570, S590, S595, S630, S650, S740, S750, S770) (A770)
 (T110, T140, T180, T190) (T450, T550, T590, T595, T630, T650, T740, T750, T770)

7234536 **NB160 BREAKER** **\$6,283.00**
 (Includes Nail Point, & fixing cap bolts) (Must also order Loader Mounting Frame and Hose Kit)
 (Special Applications Kit must be used when operating a Hydraulic Breaker)

| PART NUMBER | DEALER INSTALLED ACCESSORIES – ORDER FROM SALES DESCRIPTION | SLP IN US \$ |
|-------------|---|--------------|
|-------------|---|--------------|

Mounting Frame –NB160

7113737 **LOADER MOUNTING FRAME** **\$690.00**
 (Breaker mounting frame allows for breaking horizontal or vertical surfaces.)
 (Must also order a hose kit, P/N 7114764)

7113738 **HORIZONTAL LOADER MOUNTING FRAME** **\$732.00**
 (Recommended mounting frame for horizontal surface breaking only)
 (Must also order a hose kit, P/N 7114764)

7141800 **LOADER X-CHANGE MOUNTING FRAME** **\$1,015.00**
 (Allows breaker with X-Change Mounting Cap to be installed on loader, breaker can then be used on excavator and loader. Uses X-Change pin-through design)
 (Breaker mounting frame allows for breaking horizontal or vertical surfaces)
 (Must also order Breaker X-Change Mounting Cap P/N 7113657)
 (Must also order a hose kit, P/N 7114764)

7113657 **X-CHANGE MOUNTING CAP**..... **\$498.00**

Accessories –HB980

7114764 **HOSE KIT** **\$211.00**

| PART NUMBER | DEALER INSTALLED ACCESSORIES – ORDER FROM PARTS DESCRIPTION |
|-------------|---|
|-------------|---|

For current Dealer Installed Accessories pricing, reference BobQuote or Dealer Parts Department.

Breaker Tools –NB160

7357299 **BLUNT** PARTS \$ _____

7357298 **CONICAL POINT (MOIL)** PARTS \$ _____

7357295 **CROSS CUT CHISEL**..... PARTS \$ _____

7357302 **IN-LINE CHISEL**..... PARTS \$ _____

7357297 **NAIL POINT**..... PARTS \$ _____

BREAKER, NITROGEN

BOBCAT LOADER ATTACHMENT

| PART NUMBER | ATTACHMENT DESCRIPTION | SLP IN US \$ |
|-------------|------------------------|--------------|
|-------------|------------------------|--------------|

(S630, S650, S740, S750, S770, S850) (A770) (T630, T650, T740, T750, T770, T870)

| | | |
|---------|--|-------------------|
| 7355672 | NB170 BREAKER (Includes Nail Point & fixing cap bolts) (Must also order Loader Mounting Frame and Hose Kit) (Special Applications Kit must be used when operating a Hydraulic Breaker) | \$9,568.00 |
|---------|--|-------------------|

| PART NUMBER | DEALER INSTALLED ACCESSORIES – ORDER FROM SALES DESCRIPTION | SLP IN US \$ |
|-------------|---|--------------|
|-------------|---|--------------|

Mounting Frame – NB170

| | | |
|---------|--|-----------------|
| 7115937 | LOADER MOUNTING FRAME (Breaker mounting frame allows for breaking horizontal or vertical surfaces.) (Must also order a hose kit, P/N 7114764) | \$788.00 |
| 7117325 | X-CHANGE MOUNTING CAP | \$571.00 |

Accessories – NB170

| | | |
|---------|-----------------------|-----------------|
| 7114764 | HOSE KIT | \$211.00 |
|---------|-----------------------|-----------------|

| PART NUMBER | DEALER INSTALLED ACCESSORIES – ORDER FROM PARTS DESCRIPTION |
|-------------|---|
|-------------|---|

For current Dealer Installed Accessories pricing, reference BobQuote or Dealer Parts Department.

Breaker Tools – NB170

| | | | |
|---------|-----------------------------------|-------|----------|
| 7357306 | CONICAL POINT (MOIL) | PARTS | \$ _____ |
| 7357303 | CROSS CUT CHISEL | PARTS | \$ _____ |
| 7357302 | IN-LINE CHISEL | PARTS | \$ _____ |
| 7357300 | NAIL POINT | PARTS | \$ _____ |

BREAKER, NITROGEN BOBCAT LOADER ATTACHMENT

| PART NUMBER | ATTACHMENT DESCRIPTION | SLP IN US \$ |
|-------------|------------------------|--------------|
|-------------|------------------------|--------------|

(S740, S750, S770, S850) (A770) (T740, T750, T770, T870)

| | | |
|---------|--|--|
| 7355674 | NB180 BREAKER \$10,917.00 (Includes Nail Point & fixing cap bolts) (Must also order Loader Mounting Frame and Hose Kit) (Special Applications Kit must be used when operating a Hydraulic Breaker) | |
|---------|--|--|

| PART NUMBER | DEALER INSTALLED ACCESSORIES – ORDER FROM SALES DESCRIPTION | SLP IN US \$ |
|-------------|---|--------------|
|-------------|---|--------------|

Mounting Frames – NB180

| | | |
|---------|---|--|
| 7115937 | LOADER MOUNTING FRAME \$788.00 (Breaker mounting frame allows for breaking horizontal or vertical surfaces.) (Must also order a hose kit, P/N 7114764) | |
|---------|---|--|

Accessories – NB180

| | | |
|---------|--------------------------------|--|
| 7114764 | HOSE KIT \$211.00 | |
|---------|--------------------------------|--|

| PART NUMBER | DEALER INSTALLED ACCESSORIES – ORDER FROM PARTS DESCRIPTION | |
|-------------|---|--|
|-------------|---|--|

For current Dealer Installed Accessories pricing, reference BobQuote or Dealer Parts Department.

Breaker Tools – NB180

| | | |
|---------|--|--|
| 7357306 | CONICAL POINT (MOIL) PARTS \$ _____ | |
| 7357308 | CROSS CUT CHISEL PARTS \$ _____ | |
| 7357307 | IN-LINE CHISEL PARTS \$ _____ | |
| 7357305 | NAIL POINT PARTS \$ _____ | |

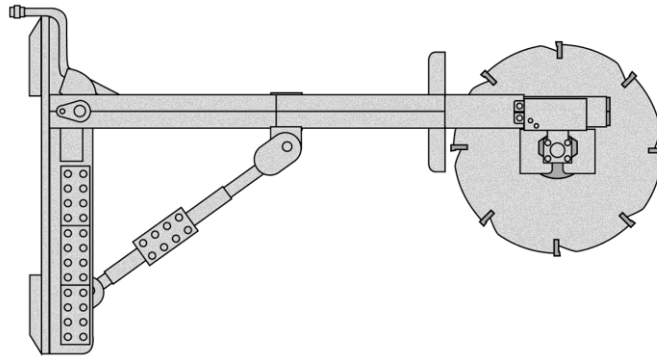
| |
|---|
| DESTINATION CHARGE/FUEL SURCHARGE |
| Refer to BobQuote or BobcatNET>>Other Resources>>Pricing Homepage for current Destination and Fuel Charges. |

| ATTACHMENT | ASSEMBLY REQUIRED INSTALLATION TIME (HOURS) |
|------------|---|
|------------|---|

| | |
|---|------|
| Special Applications Kit..... Install Kit | 2.00 |
|---|------|

BRUSH SAW

BOBCAT LOADER ATTACHMENT



Top View

QUICK SPECS

| | |
|------------------------------------|-----------------------|
| Operating Weight..... | 590 lbs. |
| Number of Cutting Teeth..... | 15 |
| Tip Speed Cutting Teeth..... | 3256 ft./min @ 24 gpm |
| Disc RPM @ 22 gpm..... | 400 RPM |
| Flow Range..... | 15 – 23 gpm |
| Cutting Wheel (Disc) Diameter..... | 28.5" |
| Overall Width..... | 48.0" |
| Overall Length..... | 85.0" |
| Overall Height..... | 29.5" |

| PART NUMBER | ATTACHMENT DESCRIPTION | SLP IN US \$ |
|-------------|------------------------|--------------|
|-------------|------------------------|--------------|

| | | |
|--|--|-------------------|
| (S100, S130, S150, S160, S175, S185, S205) | | |
| (S450, S510, S530, S550, S570, S590, S595, S630, S650, S740, S750, S770, S850) (A770) | | |
| (T110, T140, T180, T190) (T450, T550, T590, T595, T630, T650, T740, T750, T770, T870) | | |
| 7121030 | BRUSH SAW..... (Special Applications kit must be installed on loader when operating Brush Saw) | \$6,923.00 |

DESTINATION CHARGE/FUEL SURCHARGE

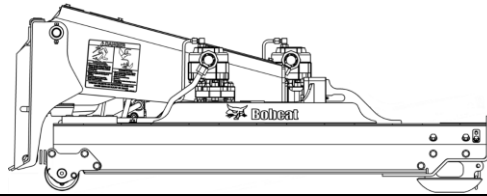
Refer to BobQuote or BobcatNET>>Other Resources>>Pricing Homepage for current Destination and Fuel Charges.

| ATTACHMENT | ASSEMBLY REQUIRED | INSTALLATION TIME (HOURS) |
|------------|-------------------|---------------------------|
|------------|-------------------|---------------------------|

| | | |
|----------------|-----------|---|
| Brush Saw..... | None..... | - |
|----------------|-----------|---|

BRUSHCAT™ ROTARY CUTTER

BOBCAT LOADER ATTACHMENT



QUICK SPECS

| | <u>RC66</u> | <u>RC66HF</u> | <u>RC72</u> | <u>RC72HF</u> | <u>RC80HF</u> |
|---------------------------|---|---------------|-------------|---------------|---------------|
| Operating Weight | 1437 lbs. | 1437 lbs. | 1500 lbs. | 1500 lbs. | 1581 lbs. |
| Hydraulic Flow Range..... | 15-24 gpm | 24-36 gpm | 15-26 gpm | 24-40 gpm | 24-40 gpm |
| Blade Tip Speed..... | 11,399 | 11,394 | 9,922 | 9,922 | 10,932 |
| (Minimum Flow / ft./min) | | | | | |
| Blade Tip Speed..... | 18,238 | 17,064 | 17,197 | 16,536 | 18,219 |
| (Maximum Flow / ft./min) | | | | | |
| Cutting Width | 66" | 66" | 72" | 72" | 80" |
| Cutting Height | 3" | 3" | 3" | 3" | 3" |
| Deck Length | 61.1" | 61.1" | 64.3" | 64.3" | 67.7" |
| Vertical Travel..... | 8" | 8" | 8" | 8" | 8" |
| Overall Width | 70.3" | 70.3" | 76.3" | 76.3" | 84.3" |
| Overall Height | 26.5" | 26.5" | 26.5" | 26.5" | 26.5" |
| Overall Length..... | 67.2" | 67.2" | 70.4" | 70.4" | 73.8" |
| Cutting Capacity | Brush material up to 3 in. in diameter for all models | | | | |

| PART NUMBER | ATTACHMENT DESCRIPTION | SLP IN US \$ |
|-------------|------------------------|--------------|
|-------------|------------------------|--------------|

(S130, S150, S160, S175, S185, S205) (S450, S510, S530, S550, S570, S590, S595) (T140, T180, T190) (T450, T550, T590, T595)

7234049 RC66 BRUSHCAT ROTARY CUTTER \$6,400.00
(Comes with 3" Offset Blades and Front Discs Assembled) (Cutting height of 3")

(S160H, S175H, S185H, S205H) (S550H, S570H, S590H, S595H) (T180H, T190H) (T550H, T590H, T595H)

7233014 RC66HF BRUSHCAT ROTARY CUTTER \$7,180.00
(Comes with 3" Offset Blades and Front Discs Assembled) (Cutting height of 3")

(S185, S205) (S510, S530, S550, S570, S590, S595, S630, S650, S740, S750, S770, S850) (T550, T590, T595, T630, T650, T740, T750, T770, T870) (T180, T190) (A770)

7218087 RC72 BRUSHCAT ROTARY CUTTER \$6,722.00
(Comes with 3" Offset Blades and Front Discs Assembled) (Cutting height of 3")

(S185H, S205H) (S550H, S570H, S590H, S595H, S630H, S650H, S740H, S750H, S770H, S850H) (T180H, T190H) (T550H, T590H, T595H, T630H, T650H, T740H, T750H, T770H, T870H) (A770H)

7233002 RC72HF BRUSHCAT ROTARY CUTTER \$7,363.00
(Comes with 3" Offset Blades and Front Discs Assembled) (Cutting height of 3")

(S630H, S650H, S740H, S750H, S770H, S850H) (T630H, T650H, T740H, T750H, T770H, T870H) (A770H)

7233092 RC80HF BRUSHCAT ROTARY CUTTER \$7,845.00
(Comes with 3" Offset Blades and Front Discs Assembled) (Cutting height of 3")

BRUSHCAT™ ROTARY CUTTER

BOBCAT LOADER ATTACHMENT

PART NUMBER DEALER INSTALLED ACCESSORIES – ORDER FROM PARTS DESCRIPTION

For current Dealer Installed Accessories pricing, reference BobQuote or Dealer Parts Department.

| | | | |
|----------------|--|--------------|-----------------|
| 7242262 | 4" CUTTING HEIGHT BLADES KIT | PARTS | \$ _____ |
| | <small>(For 66" Rotary Cutter) (Includes (4) Blades and Mounting Hardware)</small> | | |
| 7242263 | 4" CUTTING HEIGHT BLADES KIT | PARTS | \$ _____ |
| | <small>(For 72" Rotary Cutter) (Includes (4) Blades and Mounting Hardware)</small> | | |
| 7242264 | 4" CUTTING HEIGHT BLADES KIT | PARTS | \$ _____ |
| | <small>(For 80" Rotary Cutter) (Includes (4) Blades and Mounting Hardware)</small> | | |
| 7242261 | FRONT ROLLER KIT | PARTS | \$ _____ |
| 7244897 | MOTOR COVER KIT | PARTS | \$ _____ |
| | <small>(Requires (8) bolts P/N 84G3716 to install the covers onto the Rotary Cutter)</small> | | |
| | <small>(Please see installation instructions on BASSII)</small> | | |

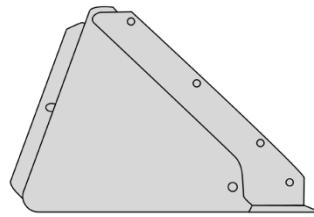
DESTINATION CHARGE/FUEL SURCHARGE

Refer to BobQuote or BobcatNET>>Other Resources>>Pricing Homepage for current Destination and Fuel Charges.

| ATTACHMENT | ASSEMBLY REQUIRED | INSTALLATION TIME (HOURS) |
|------------------------------|----------------------|---------------------------|
| Brushcat Rotary Cutter | None..... | - |
| Blade Kits | Install blades..... | 1.5 |
| Front Roller Kit | Install rollers..... | 1.0 |
| Motor Cover Kit | Install covers..... | 0.5 |

BUCKETS

BOBCAT LOADER ATTACHMENT



| PART NUMBER | ATTACHMENT DESCRIPTION | SAE HEAPED CAPACITY (FT ³) | OPER. WGT. | SLP IN US \$ |
|---------------------------------|--|--|------------|--------------|
| (MT50, MT52, MT55, MT85) | | | | |
| 6731520 | 36" CONSTR./IND. BUCKET ◆ (Not approved for use with 32" Utility Grapple, P/N 6728117) | 4.0 | 167 | \$555.00 |
| 7117432 | 36" DIRT BUCKET ◆ (Not approved for use with 32" Utility Grapple, P/N 6728117) | 4.7 | 168 | \$529.00 |
| 7117433 | 44" DIRT BUCKET ◆ | 5.8 | 188 | \$561.00 |
| 7114488 | 36" GENERAL PURPOSE BUCKET ◆ (For use with 32" Utility Grapple, P/N 7125370) | 6.0 | 185 | \$560.00 |
| 7272912 | BUCKET GP 36" CII, MT85 ◆ (For use with 32" Utility Grapple, P/N 7125370) | 6.0 | 185 | \$560.00 |
| 7114581 | 44" GENERAL PURPOSE BUCKET ◆ (For use with 32" Utility Grapple, P/N 7125370) | 7.4 | 207 | \$592.00 |
| (S70, MT85) | | | | |
| 7117432 | 36" DIRT BUCKET ◆ | 4.7 | 168 | \$529.00 |
| 7117433 | 44" DIRT BUCKET ◆ | 5.8 | 188 | \$561.00 |
| 7114488 | 36" GENERAL PURPOSE BUCKET ◆ | 6.0 | 185 | \$560.00 |
| 7114581 | 44" GENERAL PURPOSE BUCKET ◆ | 7.4 | 207 | \$592.00 |
| 7272919 | BUCKET GP 44" CII, MT85 ◆ | 7.4 | 207 | \$592.00 |
| 7114583 | 50" GENERAL PURPOSE BUCKET ◆ | 8.5 | 223 | \$618.00 |
| (S100) | | | | |
| 7160274 | 50" CONSTR./IND. BUCKET ◆ | 9.6 | 353 | \$903.00 |
| 7117434 | 50" DIRT BUCKET ◆ | 6.6 | 202 | \$576.00 |
| 7114582 | 50" GENERAL PURPOSE BUCKET ◆ | 8.5 | 223 | \$618.00 |
| 7161031 | 50" LOW PROFILE BUCKET ◆ | 11.1 | 405 | \$971.00 |
| 7114584 | 56" GENERAL PURPOSE BUCKET ◆ | 9.4 | 239 | \$682.00 |
| (T110) | | | | |
| 7160274 | 50" CONSTR./IND. BUCKET ◆ | 9.6 | 353 | \$903.00 |
| 7161031 | 50" LOW PROFILE BUCKET ◆ | 11.1 | 405 | \$971.00 |

△ Buckets have holes predrilled to accept bolt-on cutting edges.
◆ Buckets have holes predrilled to accept bolt-on cutting edges or bolt-on teeth.

BUCKETS

BOBCAT LOADER ATTACHMENT

| PART NUMBER | ATTACHMENT DESCRIPTION | SAE HEAPED CAPACITY (FT ³) | OPER. WGT. | SLP IN US \$ |
|---------------------------------------|---|--|------------|--------------|
| (S130) | | | | |
| 6737399 | 56" CONSTR./IND. BUCKET ♦ | 10.8 | 385 | \$930.00 |
| 6731403 | 62" CONSTR./IND. BUCKET ♦ | 12.7 | 465 | \$938.00 |
| 6558681 | 60" FERTILIZER & GRAIN BUCKET Δ | 16.6 | 358 | \$867.00 |
| 7114584 | 56" GENERAL PURPOSE BUCKET ♦ | 9.4 | 239 | \$682.00 |
| 7114585 | 62" GENERAL PURPOSE BUCKET ♦ | 10.5 | 257 | \$718.00 |
| 7114586 | 68" GENERAL PURPOSE BUCKET ♦ | 11.6 | 274 | \$735.00 |
| 7114587 | 74" GENERAL PURPOSE BUCKET ♦ | 12.7 | 290 | \$782.00 |
| 7101903 | 56" LOW PROFILE BUCKET ♦ | 13.0 | 428 | \$1,004.00 |
| 6731415 | 62" LOW PROFILE BUCKET ♦ | 14.5 | 483 | \$938.00 |
| 7184103 | 68" SNOW & LIGHT MATERIAL BUCKET Δ | 24.5 | 578 | \$1,182.00 |
| 7184105 | 74" SNOW & LIGHT MATERIAL BUCKET Δ | 26.8 | 620 | \$1,251.00 |
| (S150, S160, S175, S185, S205) | | | | |
| 6731403 | 62" CONSTR./IND. BUCKET ♦ | 12.7 | 465 | \$938.00 |
| 6731406 | 68" CONSTR./IND. BUCKET ♦ | 14.0 | 470 | \$1,025.00 |
| 7124426 | 68" CONSTR./IND. HEAVY DUTY BUCKET ♦ (S175, S185, S205 only) (Recommended for severe-duty use) (Not approved for use with the 55" Farm Grapple, P/N 7176977) | 18.8 | 641 | \$1,452.00 |
| 6731409 | 74" CONSTR./IND. BUCKET ♦ | 15.4 | 533 | \$1,109.00 |
| 6558681 | 60" FERTILIZER & GRAIN BUCKET Δ | 16.6 | 358 | \$867.00 |
| 6706479 | 66" FERTILIZER & GRAIN BUCKET Δ | 30.3 | 500 | \$1,078.00 |
| 7114585 | 62" GENERAL PURPOSE BUCKET ♦ (S150, S160, S175, S185 only) | 10.5 | 257 | \$718.00 |
| 7114586 | 68" GENERAL PURPOSE BUCKET ♦ (S150, S160, S175, S185 only) | 11.6 | 274 | \$735.00 |
| 7114587 | 74" GENERAL PURPOSE BUCKET ♦ (S150, S160, S175, S185 only) | 12.7 | 290 | \$782.00 |
| 6731415 | 62" LOW PROFILE BUCKET ♦ | 14.5 | 483 | \$938.00 |
| 6731418 | 68" LOW PROFILE BUCKET ♦ | 16.0 | 515 | \$1,035.00 |
| 6731421 | 74" LOW PROFILE BUCKET ♦ | 17.6 | 533 | \$1,125.00 |
| 7184103 | 68" SNOW & LIGHT MATERIAL BUCKET Δ | 24.5 | 578 | \$1,182.00 |
| 7184105 | 74" SNOW & LIGHT MATERIAL BUCKET Δ | 26.9 | 609 | \$1,251.00 |
| 7184110 | 80" SNOW & LIGHT MATERIAL BUCKET Δ | 29.2 | 640 | \$1,373.00 |
| 7184098 | 88" SNOW & LIGHT MATERIAL BUCKET Δ (S175, S185, S205 only) | 32.4 | 681 | \$1,463.00 |

Δ Buckets have holes predrilled to accept bolt-on cutting edges.
♦ Buckets have holes predrilled to accept bolt-on cutting edges or bolt-on teeth.

BUCKETS

BOBCAT LOADER ATTACHMENT

| PART NUMBER | ATTACHMENT DESCRIPTION | SAE HEAPED CAPACITY (FT ³) | OPER. WGT. | SLP IN US \$ |
|---|--|--|------------|--------------|
| (S450) | | | | |
| 7114584 | 56" GENERAL PURPOSE BUCKET ♦ | 9.4 | 239 | \$682.00 |
| 7114585 | 62" GENERAL PURPOSE BUCKET ♦ | 10.5 | 257 | \$718.00 |
| 7114586 | 68" GENERAL PURPOSE BUCKET ♦ | 11.6 | 274 | \$735.00 |
| 7114587 | 74" GENERAL PURPOSE BUCKET ♦ | 12.7 | 290 | \$718.00 |
| 6737399 | 56" CONSTR./IND. BUCKET ♦ | 10.8 | 385 | \$930.00 |
| 6731403 | 62" CONSTR./IND. BUCKET ♦ | 12.7 | 465 | \$938.00 |
| 6731406 | 68" CONSTR./IND. BUCKET ♦ | 14.0 | 470 | \$1,025.00 |
| 6558681 | 60" FERTILIZER & GRAIN BUCKET Δ..... | 16.6 | 358 | \$867.00 |
| 7101903 | 56" LOW PROFILE BUCKET ♦ | 13.0 | 428 | \$1,004.00 |
| 6731415 | 62" LOW PROFILE BUCKET ♦ | 14.5 | 483 | \$938.00 |
| 6731418 | 68" LOW PROFILE BUCKET ♦ | 16.0 | 515 | \$1,035.00 |
| 7184103 | 68" SNOW & LIGHT MATERIAL BUCKET Δ..... | 24.5 | 578 | \$1,182.00 |
| 7184105 | 74" SNOW & LIGHT MATERIAL BUCKET Δ..... | 26.9 | 609 | \$1,251.00 |
| (S510, S530, S550, S570, S590, S595) | | | | |
| 6731403 | 62" CONSTR./IND. BUCKET ♦ | 12.7 | 465 | \$938.00 |
| 6731406 | 68" CONSTR./IND. BUCKET ♦ | 14.0 | 470 | \$1,025.00 |
| 7124426 | 68" CONSTR./IND. HEAVY DUTY BUCKET ♦ | 18.8 | 641 | \$1,452.00 |
| | <small>(Recommended for severe-duty use) (Not approved for use with the 55" Farm Grapple, P/N 7176977)</small> | | | |
| 6731409 | 74" CONSTR./IND. BUCKET ♦ | 15.4 | 533 | \$1,109.00 |
| 6558681 | 60" FERTILIZER & GRAIN BUCKET Δ..... | 16.6 | 358 | \$867.00 |
| 6706479 | 66" FERTILIZER & GRAIN BUCKET Δ..... | 30.3 | 500 | \$1,078.00 |
| 6706483 | 72" FERTILIZER & GRAIN BUCKET Δ..... | 32.8 | 507 | \$1,251.00 |
| 7114585 | 62" GENERAL PURPOSE BUCKET ♦ | 10.5 | 257 | \$718.00 |
| | <small>(S510, S530, S550, S570 only)</small> | | | |
| 7114586 | 68" GENERAL PURPOSE BUCKET ♦ | 11.6 | 274 | \$735.00 |
| | <small>(S510, S530, S550, S570 only)</small> | | | |
| 7114587 | 74" GENERAL PURPOSE BUCKET ♦ | 12.7 | 290 | \$782.00 |
| | <small>(S510, S530, S550, S570 only)</small> | | | |
| 6731415 | 62" LOW PROFILE BUCKET ♦ | 14.5 | 483 | \$938.00 |
| 6731418 | 68" LOW PROFILE BUCKET ♦ | 16.0 | 515 | \$1,035.00 |
| 6731421 | 74" LOW PROFILE BUCKET ♦ | 17.6 | 533 | \$1,025.00 |
| 7184103 | 68" SNOW & LIGHT MATERIAL BUCKET Δ..... | 24.5 | 578 | \$1,182.00 |
| 7184105 | 74" SNOW & LIGHT MATERIAL BUCKET Δ..... | 26.9 | 609 | \$1,251.00 |
| 7184110 | 80" SNOW & LIGHT MATERIAL BUCKET Δ..... | 29.2 | 640 | \$1,373.00 |
| 7184098 | 88" SNOW & LIGHT MATERIAL BUCKET Δ..... | 32.4 | 681 | \$1,463.00 |
| | <small>(S530, S550, S570, S590, S595 only)</small> | | | |

- Δ Buckets have holes predrilled to accept bolt-on cutting edges.
- ♦ Buckets have holes predrilled to accept bolt-on cutting edges or bolt-on teeth.

BUCKETS

BOBCAT LOADER ATTACHMENT

| PART NUMBER | ATTACHMENT DESCRIPTION | SAE HEAPED CAPACITY (FT ³) | OPER. WGT. | SLP IN US \$ |
|---------------------|---|--|------------|--------------|
| (S630, S650) | | | | |
| 6731406 | 68" CONSTR./IND. BUCKET ♦ (For use with offset rims only) | 14.0 | 470 | \$1,025.00 |
| 7124426 | 68" CONSTR./IND. HEAVY DUTY BUCKET ♦ (Recommended for severe-duty use) (Not approved for use with the 55" Farm Grapple, P/N 7176977) | 18.8 | 641 | \$1,452.00 |
| 6731409 | 74" CONSTR./IND. BUCKET ♦ (Recommended for severe-duty use) (Not approved for use with the 55" Farm Grapple, P/N 7176977) | 15.4 | 533 | \$1,109.00 |
| 6732305 | 74" CONSTR./IND. HEAVY DUTY BUCKET ♦ (Recommended for severe-duty use) (Not approved for use with the 55" Farm Grapple, P/N 7176977) | 20.5 | 681 | \$1,505.00 |
| 6731412 | 80" CONSTR./IND. BUCKET ♦ (Recommended for severe-duty use) (Not approved for use with the 55" Farm Grapple, P/N 7176977) | 16.7 | 565 | \$1,210.00 |
| 6726344 | 80" CONSTR./IND. HEAVY DUTY BUCKET ♦ (Recommended for severe-duty use) (Not approved for use with the 55" Farm Grapple, P/N 7176977) | 22.4 | 732 | \$1,622.00 |
| 7125917 | 84" CONSTR./IND. HEAVY DUTY BUCKET ♦ (For use with S650 only) (Recommended for severe-duty use) (Not approved for use with the 55" Farm Grapple, P/N 7176977) | 23.6 | 758 | \$1,701.00 |
| 6706479 | 66" FERTILIZER & GRAIN BUCKET Δ..... (For use with offset rims only) | 30.3 | 500 | \$1,078.00 |
| 6706483 | 72" FERTILIZER & GRAIN BUCKET Δ..... (For use with offset rims only) | 32.8 | 507 | \$1,251.00 |
| 6731418 | 68" LOW PROFILE BUCKET ♦ (For use with offset rims only) | 16.0 | 515 | \$1,035.00 |
| 6731421 | 74" LOW PROFILE BUCKET ♦ (For use with offset rims only) | 17.6 | 533 | \$1,125.00 |
| 6731424 | 80" LOW PROFILE BUCKET ♦ (For use with offset rims only) | 19.1 | 586 | \$1,225.00 |
| 7184103 | 68" SNOW & LIGHT MATERIAL BUCKET Δ..... (For use with offset rims only) | 24.5 | 578 | \$1,182.00 |
| 7184105 | 74" SNOW & LIGHT MATERIAL BUCKET Δ..... (For use with offset rims only) | 26.9 | 609 | \$1,251.00 |
| 7184110 | 80" SNOW & LIGHT MATERIAL BUCKET Δ..... (For use with offset rims only) | 29.2 | 640 | \$1,373.00 |
| 7184098 | 88" SNOW & LIGHT MATERIAL BUCKET Δ..... (For use with offset rims only) | 32.4 | 681 | \$1,463.00 |

Δ Buckets have holes predrilled to accept bolt-on cutting edges.
 ♦ Buckets have holes predrilled to accept bolt-on cutting edges or bolt-on teeth.

BUCKETS

BOBCAT LOADER ATTACHMENT

| PART NUMBER | ATTACHMENT DESCRIPTION | SAE HEAPED CAPACITY (FT ³) | OPER. WGT. | SLP IN US \$ |
|---------------------------|---|--|------------|--------------|
| (S740, S750, S770) | | | | |
| 6731406 | 68" CONSTR./IND. BUCKET ♦ (For use with offset rims only) | 14.0 | 470 | \$1,025.00 |
| 7124426 | 68" CONSTR./IND. HEAVY DUTY BUCKET ♦ (For use with offset rims only) (Recommended for severe-duty use) (Not approved for use with the 55" Farm Grapple, P/N 7176977) | 18.8 | 641 | \$1,483.00 |
| 6731409 | 74" CONSTR./IND. BUCKET ♦ | 15.4 | 533 | \$1,164.00 |
| 6732305 | 74" CONSTR./IND. HEAVY DUTY BUCKET ♦ (Recommended for severe-duty use) (Not approved for use with the 55" Farm Grapple, P/N 7176977) | 20.5 | 681 | \$1,505.00 |
| 6731412 | 80" CONSTR./IND. BUCKET ♦ | 16.7 | 565 | \$1,210.00 |
| 6726344 | 80" CONSTR./IND. HEAVY DUTY BUCKET ♦ (Recommended for severe-duty use) (Not approved for use with the 55" Farm Grapple, P/N 7176977) | 22.4 | 732 | \$1,622.00 |
| 7125917 | 84" CONSTR./IND. HEAVY DUTY BUCKET ♦ (Recommended for severe-duty use) (Not approved for use with the 55" Farm Grapple, P/N 7176977) | 23.6 | 758 | \$1,701.00 |
| 6726328 | 88" CONSTR./IND. HEAVY DUTY BUCKET ♦ (Recommended for severe-duty use) (Not approved for use with the 55" Farm Grapple, P/N 7176977) | 24.6 | 775 | \$1,806.00 |
| 7173162 | 82" CONSTR./IND. SEVERE DUTY BUCKET ♦ (Recommended for severe-duty use) | 22.8 | 844 | \$2,012.00 |
| 7173161 | 88" CONSTR./IND. SEVERE DUTY BUCKET ♦ (Recommended for severe-duty use) | 24.6 | 888 | \$2,154.00 |
| 6706483 | 72" FERTILIZER & GRAIN BUCKET Δ | 32.8 | 507 | \$1,251.00 |
| 6731418 | 68" LOW PROFILE BUCKET ♦ (For use with offset rims only) | 16.0 | 515 | \$1,035.00 |
| 6731421 | 74" LOW PROFILE BUCKET ♦ | 17.6 | 533 | \$1,125.00 |
| 6731424 | 80" LOW PROFILE BUCKET ♦ | 19.1 | 586 | \$1,225.00 |
| 7184103 | 68" SNOW & LIGHT MATERIAL BUCKET Δ (For use with offset rims only) | 24.5 | 578 | \$1,182.00 |
| 7184105 | 74" SNOW & LIGHT MATERIAL BUCKET Δ | 26.9 | 609 | \$1,251.00 |
| 7184110 | 80" SNOW & LIGHT MATERIAL BUCKET Δ | 29.2 | 640 | \$1,373.00 |
| 7184098 | 88" SNOW & LIGHT MATERIAL BUCKET Δ | 32.4 | 681 | \$1,463.00 |
| 6727787 | 100" SNOW & LIGHT MATERIAL BUCKET ♦ | 54.2 | 878 | \$1,907.00 |

- Δ Buckets have holes predrilled to accept bolt-on cutting edges.
- ♦ Buckets have holes predrilled to accept bolt-on cutting edges or bolt-on teeth.

BUCKETS

BOBCAT LOADER ATTACHMENT

| PART NUMBER | ATTACHMENT DESCRIPTION | SAE HEAPED CAPACITY (FT ³) | OPER. WGT. | SLP IN US \$ |
|---------------------|--|--|------------|--------------|
| (T140) | | | | |
| 6737399 | 56" CONSTR./IND. BUCKET ♦ | 10.8 | 385 | \$930.00 |
| 6731403 | 62" CONSTR./IND. BUCKET ♦ | 12.7 | 465 | \$938.00 |
| 6558681 | 60" FERTILIZER & GRAIN BUCKET Δ | 16.6 | 358 | \$867.00 |
| 7101903 | 56" LOW PROFILE BUCKET ♦ | 11.4 | 428 | \$1,004.00 |
| 6731415 | 62" LOW PROFILE BUCKET ♦ | 14.5 | 483 | \$938.00 |
| 7184103 | 68" SNOW & LIGHT MATERIAL BUCKET Δ | 24.5 | 578 | \$1,182.00 |
| 7184105 | 74" SNOW & LIGHT MATERIAL BUCKET Δ | 26.9 | 609 | \$1,251.00 |
| (T180, T190) | | | | |
| 6731406 | 68" CONSTR./IND. BUCKET ♦ | 14.0 | 470 | \$1,025.00 |
| 7124426 | 68" CONSTR./IND. HEAVY DUTY BUCKET ♦ <small>(Recommended for severe-duty use) (Not approved for use with the 55" Farm Grapple, P/N 7176977)</small> | 18.8 | 641 | \$1,452.00 |
| 6731409 | 74" CONSTR./IND. BUCKET ♦ <small>(Must also order Side Edge Cutting kit p/n 6732093 when used with wide track option)</small> | 15.4 | 533 | \$1,109.00 |
| 6732305 | 74" CONSTR./IND. HEAVY DUTY BUCKET ♦ <small>(Recommended for severe-duty use) (Not approved for use with the 55" Farm Grapple, P/N 7176977)</small> | 20.5 | 681 | \$1,505.00 |
| 6558681 | 60" FERTILIZER & GRAIN BUCKET Δ | 16.6 | 358 | \$867.00 |
| 6706479 | 66" FERTILIZER & GRAIN BUCKET Δ | 30.3 | 500 | \$1,078.00 |
| 6731415 | 62" LOW PROFILE BUCKET ♦ | 14.5 | 483 | \$938.00 |
| 6731418 | 68" LOW PROFILE BUCKET ♦ | 16.0 | 515 | \$1,035.00 |
| 6731421 | 74" LOW PROFILE BUCKET ♦ <small>(Must also order Side Edge Cutting kit p/n 6732094 when used with wide track option)</small> | 17.6 | 533 | \$1,125.00 |
| 7184103 | 68" SNOW & LIGHT MATERIAL BUCKET Δ | 24.5 | 578 | \$1,182.00 |
| 7184105 | 74" SNOW & LIGHT MATERIAL BUCKET Δ | 26.9 | 609 | \$1,251.00 |
| 7184110 | 80" SNOW & LIGHT MATERIAL BUCKET Δ | 29.2 | 640 | \$1,373.00 |
| 7184098 | 88" SNOW & LIGHT MATERIAL BUCKET Δ | 32.4 | 681 | \$1,463.00 |
| (T450) | | | | |
| 6737399 | 56" CONSTR./IND. BUCKET ♦ | 10.8 | 385 | \$930.00 |
| 6731403 | 62" CONSTR./IND. BUCKET ♦ | 12.7 | 465 | \$938.00 |
| 6731406 | 68" CONSTR./IND. BUCKET ♦ | 14.0 | 470 | \$1,025.00 |
| 6558681 | 60" FERTILIZER & GRAIN BUCKET Δ | 16.6 | 358 | \$867.00 |
| 7101903 | 56" LOW PROFILE BUCKET ♦ | 13.0 | 428 | \$1,004.00 |
| 6731415 | 62" LOW PROFILE BUCKET ♦ | 14.5 | 483 | \$938.00 |
| 6731418 | 68" LOW PROFILE BUCKET ♦ | 16.0 | 515 | \$1,035.00 |
| 7184103 | 68" SNOW & LIGHT MATERIAL BUCKET Δ | 24.5 | 578 | \$1,182.00 |
| 7184105 | 74" SNOW & LIGHT MATERIAL BUCKET Δ | 26.9 | 609 | \$1,251.00 |

(T550, T590, T595)

Prices and Specifications
Subject to Change Without Notice

Loader Attachments
All Prices in U.S. Dollars

North American Suggested List Prices
2019 Price Book

Check BobcatNET Pricing Homepage for current Canadian exchange rate.

Page 52 of 151

BUCKETS

BOBCAT LOADER ATTACHMENT

| | | | | |
|----------------|---|-------------|------------|-------------------|
| 6731406 | 68" CONSTR./IND. BUCKET ♦ | 14.0 | 470 | \$1,025.00 |
| 7124426 | 68" CONSTR./IND. HEAVY DUTY BUCKET ♦ | 18.8 | 641 | \$1,453.00 |
| | (Recommended for severe-duty use) (Not approved for use with the 55" Farm Grapple, P/N 7176977) | | | |
| 6731409 | 74" CONSTR./IND. BUCKET ♦ | 15.4 | 533 | \$1,109.00 |
| | (Must also order Side Edge Cutting kit p/n 6732093 when used with wide track option) | | | |
| 6732305 | 74" CONSTR./IND. HEAVY DUTY BUCKET ♦ | 20.5 | 681 | \$1,505.00 |
| | (Recommended for severe-duty use) (Not approved for use with the 55" Farm Grapple, P/N 7176977) | | | |
| 6706479 | 66" FERTILIZER & GRAIN BUCKET Δ | 30.3 | 500 | \$1,078.00 |
| 6706483 | 72" FERTILIZER & GRAIN BUCKET Δ | 32.8 | 507 | \$1,251.00 |
| 6731418 | 68" LOW PROFILE BUCKET ♦ | 16.0 | 515 | \$1,035.00 |
| 6731421 | 74" LOW PROFILE BUCKET ♦ | 17.6 | 533 | \$1,125.00 |
| | (Must also order Side Edge Cutting kit p/n 6732094 when used with wide track option) | | | |
| 7184103 | 68" SNOW & LIGHT MATERIAL BUCKET Δ | 24.5 | 578 | \$1,162.00 |
| 7184105 | 74" SNOW & LIGHT MATERIAL BUCKET Δ | 26.9 | 609 | \$1,251.00 |
| 7184110 | 80" SNOW & LIGHT MATERIAL BUCKET Δ | 29.2 | 640 | \$1,373.00 |
| 7184098 | 88" SNOW & LIGHT MATERIAL BUCKET Δ | 32.4 | 681 | \$1,463.00 |

- Δ Buckets have holes predrilled to accept bolt-on cutting edges.
- ♦ Buckets have holes predrilled to accept bolt-on cutting edges or bolt-on teeth.

BUCKETS

BOBCAT LOADER ATTACHMENT

| PART NUMBER | DESCRIPTION | ATTACHMENT | SAE HEAPED CAPACITY (FT ³) | OPER. WGT. | SLP IN US \$ |
|----------------|--|------------|--|------------|-------------------|
| (T870) | | | | | |
| 7125917 | 84" CONSTR./IND. HEAVY DUTY BUCKET ♦ | | 23.6 | 758 | \$1,701.00 |
| | (Recommended for severe-duty use) (Not approved for use with the 55" Farm Grapple, P/N 7176977) | | | | |
| 6726328 | 88" CONSTR./IND. HEAVY DUTY BUCKET ♦ | | 24.6 | 775 | \$1,806.00 |
| | (Recommended for severe-duty use) (Not approved for use with the 55" Farm Grapple, P/N 7176977) | | | | |
| 7173161 | 88" CONSTR./IND. SEVERE DUTY BUCKET ♦ | | 24.6 | 888 | \$2,154.00 |
| | (Recommended for severe-duty use) | | | | |
| 7184098 | 88" SNOW & LIGHT MATERIAL BUCKET Δ | | 32.4 | 681 | \$1,463.00 |
| 6727787 | 100" SNOW & LIGHT MATERIAL BUCKET ♦ | | 54.2 | 878 | \$1,907.00 |

- Δ Buckets have holes predrilled to accept bolt-on cutting edges.
- ♦ Buckets have holes predrilled to accept bolt-on cutting edges or bolt-on teeth.

BUCKETS

BOBCAT LOADER ATTACHMENT

| PART NUMBER | DEALER INSTALLED ACCESSORIES – ORDER FROM PARTS DESCRIPTION |
|-------------|---|
|-------------|---|

For current Dealer Installed Accessories pricing, reference BobQuote or Dealer Parts Department.
Accessories for Roundback Buckets

Used with all buckets that have the ♦ symbol

| | | |
|---------|---|--|
| 6728247 | 7 BOLT-ON TEETH KIT, 36" MINI C/I, 36"-74" DIRT & GP..... PARTS \$ _____ (1-Piece Bolt-on Tooth Shank) (Hardware included) (When quoting, must use multiple of 7: 7x\$13.23=\$92.61) | |
| 6737322 | 8 BOLT-ON TEETH KIT, C/I, HD C/I & LOW PROFILE PARTS \$ _____ (Must purchase multiple of 8: 8x\$27.85=\$222.80) (Tooth Assembly includes Bolt-on Shank with Pin-on Tooth) (Hardware included) | |
| 7173896 | 8 BOLT-ON TEETH KIT, SD C/I..... PARTS \$ _____ (Must purchase multiple of 8: 8x\$27.51=\$220.08) (Tooth Assembly includes Bolt-on Shank with Pin-on Tooth) (Hardware included) | |
| 7107319 | STANDARD FORGED TOOTH POINT PARTS \$ _____ (Replacement Pin-on Tooth Point for S130-T320 Buckets) (Qty. 1) | |
| 7107317 | HENSLEY FORGED TOOTH POINT PARTS \$ _____ (Replacement Pin-on Tooth Point for S130-T320, S630-T870 Buckets) (Qty. 1) | |
| 7107320 | HENSLEY TIGER TOOTH POINT PARTS \$ _____ (Replacement Pin-on Tooth Point for S130- T320, S630-T870 Buckets) (Qty. 1) (It is recommended that the Hensley Twin Tiger Tooth Point (p/n 6671148) be used at each end of the bucket when using the tiger tooth points) | |
| 7107321 | HENSLEY TWIN TIGER TOOTH POINT..... PARTS \$ _____ (Replacement Pin-on Tooth Point for S130- T320, S630-T870 Buckets) (Qty. 1) | |
| 6729042 | BOLT-ON CUTTING EDGE, 36"..... PARTS \$ _____ (For 36" C/I, GP, Dirt Buckets) (Hardware not included) (Estimated Install Time 1.5 hours) | |
| 6729043 | BOLT-ON CUTTING EDGE, 44"..... PARTS \$ _____ (For 44" Dirt/GP Buckets) (Hardware not included) (Estimated Install Time 1.5 hours) | |
| 7104502 | BOLT-ON CUTTING EDGE, 50"..... PARTS \$ _____ (For 50" Dirt/GP Buckets) (Hardware not included) (Estimated Install Time 1.5 hours) | |
| 7160267 | BOLT-ON CUTTING EDGE, 50"..... PARTS \$ _____ (For 50" C/I, Low Pro Buckets) (Hardware not included) (Estimated Install Time 1.5 hours) | |
| 6661451 | BOLT-ON CUTTING EDGE, 54"..... PARTS \$ _____ (For C/I, Dirt, Fertilizer, Utility Buckets) (Hardware not included) (Estimated Install Time 1.5 hours) | |
| 7125269 | BOLT-ON CUTTING EDGE, 56"..... PARTS \$ _____ (For 56" GP Buckets) (Hardware not included) (Estimated Install Time 1.5 hours) | |
| 7102450 | BOLT-ON CUTTING EDGE, 56"..... PARTS \$ _____ (For 56" C/I, Low Pro Buckets) (Hardware not included) (Estimated Install Time 1.5 hours) | |
| 6718005 | BOLT-ON CUTTING EDGE, 62"..... PARTS \$ _____ (For 62" C/I, Low Pro, Combo Buckets) (Hardware not included) (Estimated Install Time 1.5 hours) | |
| 6732406 | BOLT-ON CUTTING EDGE, 62"..... PARTS \$ _____ (For 62" GP Buckets) (Hardware not included) (Estimated Install Time 1.5 hours) | |
| 6718006 | BOLT-ON CUTTING EDGE, 68"..... PARTS \$ _____ (For 68" C/I, C/I HD, Low Pro, Snow, Combo Buckets) (Hardware not included) (Estimated Install Time 1.5 hours) | |
| 7104508 | BOLT-ON CUTTING EDGE, 68"..... PARTS \$ _____ (For 68" GP Buckets) (Hardware not included) (Estimated Install Time 1.5 hours) | |
| 6713713 | BOLT-ON CUTTING EDGE, 72"..... PARTS \$ _____ (For 72" Fertilizer/Grain Bucket) (Hardware not included) (Estimated Install Time 1.5 hours) | |
| 6718007 | BOLT-ON CUTTING EDGE, 74"..... PARTS \$ _____ (For 74" C/I, C/I HD, Low Pro, Snow, Combo Buckets) (Hardware not included) (Estimated Install Time 1.5 hours) | |
| 7104510 | BOLT-ON CUTTING EDGE, 74"..... PARTS \$ _____ (For 74" GP Buckets) (Hardware not included) (Estimated Install Time 1.5 hours) | |
| 6718008 | BOLT-ON CUTTING EDGE, 80"..... PARTS \$ _____ (For 80" C/I, C/I HD, Low Pro, Snow, Combo Buckets) (Hardware not included) (Estimated Install Time 1.5 hours) | |

BUCKETS

BOBCAT LOADER ATTACHMENT

| PART NUMBER | DEALER INSTALLED ACCESSORIES – ORDER FROM PARTS DESCRIPTION |
|-------------|---|
|-------------|---|

For current Dealer Installed Accessories pricing, reference BobQuote or Dealer Parts Department.

Used with all buckets that have the ♦ symbol

| | | |
|---|--|--|
| 7172352 | * BOLT-ON CUTTING EDGE, 82" PARTS \$ _____ (For 82" C/I SD Bucket) (Hardware not included) (Estimated Install Time 1.5 hours) | |
| 7125924 | BOLT-ON CUTTING EDGE, 84" PARTS \$ _____ (For 84" C/I HD Bucket) (Hardware not included) (Estimated Install Time 1.5 hours) | |
| 6727317 | * BOLT-ON CUTTING EDGE, 88" PARTS \$ _____ (For 88" C/I HD, C/I SD, Snow Buckets) (Hardware not included) (Estimated Install Time 1.5 hours) | |
| 6715464 | BOLT-ON CUTTING EDGE, 100" PARTS \$ _____ (For 100" Snow Buckets) (Hardware not included) (Estimated Install Time 1.5 hours) | |
| *FOR SEVERE DUTY BUCKETS: Order Bolt 95G1040 and Nut 57D10. Qty 16 for 82" and Qty 18 for 88" | | |
| 6719407 | BOLT-ON CORNER CUTTING EDGE PARTS \$ _____ (3/4" thick single bevel, threaded cutting edge. Does not require nut) (Must order a quantity of 2) (Hardware not included—must order P/N 1C816, quantity 4) | |
| 6805464 | BOLT-ON CORNER CUTTING EDGE PARTS \$ _____ (5/8" thick double bevel cutting edge) (Must order a quantity of 2) (Hardware not included—must order P/N 39C000828B, quantity 4 and 97D8, quantity 4) | |
| 6732093 | BOLT-ON SIDE CUTTING EDGE KIT PARTS \$ _____ (For 74" C/I Bucket when used with T180/T190 wide track option) (Beveled) (Hardware included) | |
| 6732094 | BOLT-ON SIDE CUTTING EDGE KIT PARTS \$ _____ (For 74" Low Profile Bucket when used with T180/T190 wide track option) (Beveled) (Hardware included) | |
| 6732415 | BOLT-ON SIDE CUTTING EDGE KIT PARTS \$ _____ (For 74" – 88" Heavy Duty C/I Buckets) (Beveled) (Hardware included) | |
| 6729085 | BOLT-ON SIDE GUARD KIT PARTS \$ _____ (For S70 C/I Buckets) (Hardware included) (Extends bucket sideplates) | |
| 6729086 | BOLT-ON SIDE GUARD KIT PARTS \$ _____ (For S70 Utility Buckets) (Hardware included) (Extends bucket sideplates.) | |
| 6725980 | BOLT-ON SIDE GUARD KIT PARTS \$ _____ (For 54" – 80" C/I Buckets) (Hardware included) (Changes C/I Bucket Profile to Utility Profile) (Changes C/I Bucket Profile to Utility Profile) | |
| 6728353 | BOLT-ON SIDE GUARD KIT PARTS \$ _____ (For 74" – 88" Heavy Duty C/I Buckets) (Hardware included) (Changes C/I Bucket Profile to Utility Profile) | |
| 6725981 | BOLT-ON SIDE GUARD KIT PARTS \$ _____ (For 62" – 80" Low Profile Buckets) (Hardware included) (Changes Low Profile Bucket to Utility Profile) | |
| 6727778 | BOLT-ON SIDE GUARD KIT PARTS \$ _____ (For 74" – 88" Snow Buckets) (Hardware included) (Changes Snow Bucket Profile to Utility Profile) | |
| 6729325 | BOLT-ON SIDE GUARD KIT PARTS \$ _____ (For 100" Snow Buckets) (Hardware included) (Changes Snow Bucket Profile to Utility Profile) | |
| 7125270 | SIDE UTILITY PLATE KIT PARTS \$ _____ (For 36" – 50" Dirt Buckets) | |
| 7104358 | SIDE UTILITY PLATE KIT PARTS \$ _____ (For 36" – 74" General Purpose Buckets) | |

BUCKETS

BOBCAT LOADER ATTACHMENT

| PART NUMBER | DEALER INSTALLED ACCESSORIES – ORDER FROM PARTS DESCRIPTION |
|-------------|---|
|-------------|---|

For current Dealer Installed Accessories pricing, reference BobQuote or Dealer Parts Department.

| | | |
|----------------|---|--|
| 6725979 | SPILL GUARD KIT..... PARTS \$ _____ (For C/I, Fertilizer, Low Profile Buckets) (Includes two 15.5" Spill Guards and Hardware) (Protects tilt cylinders and Bob-Tach pivot point area from debris) | |
| 7196474 | BUCKET SPILL GUARD, STANDARD ORDER FROM SALES (For 62 - 80" Low Profile, 62 - 80" C/I, 74 - 88" HD C/I, 68 - 100" Snow & Light Material Buckets) (Includes a see through 44" Spill Guard and Hardware) (Protects the operator, cab, tilt cylinders and Bob-Tach pivot area from debris) | |

Bucket Bite™ Tooth Bars for Current C/I, Dirt, GP & Low Profile Buckets
Not for use with Heavy Duty C/I Buckets

| | | |
|---------|--|--|
| 7115543 | BUCKET BITE TOOTH BAR, 44" PARTS \$ _____ | |
| 7125548 | BUCKET BITE TOOTH BAR, 44" GENERAL PURPOSE/DIRT PARTS \$ _____ | |
| 6905521 | BUCKET BITE TOOTH BAR, 48" (FITS 50" LP) PARTS \$ _____ | |
| 7125549 | BUCKET BITE TOOTH BAR, 50" GENERAL PURPOSE/DIRT PARTS \$ _____ | |
| 6905522 | BUCKET BITE TOOTH BAR, 54" PARTS \$ _____ | |
| 7125550 | BUCKET BITE TOOTH BAR, 56" PARTS \$ _____ | |
| 6905523 | BUCKET BITE TOOTH BAR, 60" PARTS \$ _____ | |
| 6905314 | BUCKET BITE TOOTH BAR, 62" PARTS \$ _____ | |
| 6905315 | BUCKET BITE TOOTH BAR, 66" & 68" PARTS \$ _____ | |
| 6905316 | BUCKET BITE TOOTH BAR, 72" & 74" PARTS \$ _____ | |
| 6905526 | BUCKET BITE TOOTH BAR, 78" PARTS \$ _____ | |
| 6905317 | BUCKET BITE TOOTH BAR, 80" PARTS \$ _____ | |
| 7243845 | BUCKET BITE TOOTH BAR, 62" (FOR BOLT-ON CUTTING EDGE)..... PARTS \$ _____ (Not for use with Heavy Duty C/I Buckets) | |
| 7243844 | BUCKET BITE TOOTH BAR, 68" (FOR BOLT-ON CUTTING EDGE)..... PARTS \$ _____ (Not for use with Heavy Duty C/I Buckets) | |
| 7243843 | BUCKET BITE TOOTH BAR, 74" (FOR BOLT-ON CUTTING EDGE)..... PARTS \$ _____ (Not for use with Heavy Duty C/I Buckets) | |
| 7243842 | BUCKET BITE TOOTH BAR, 80" (FOR BOLT-ON CUTTING EDGE)..... PARTS \$ _____ (Not for use with Heavy Duty C/I Buckets) | |

DESTINATION CHARGE/FUEL SURCHARGE
 Refer to BobQuote or BobcatNET>>Other Resources>>Pricing Homepage for current Destination and Fuel Charges.

| ATTACHMENT | ASSEMBLY REQUIRED | INSTALLATION TIME (HOURS) |
|---------------------------|---|---------------------------|
| Whiskers | Pin to bucket..... | 0.5 |
| Teeth | Bolt to bucket | 0.5 |
| Bucket Bite | Bolt to bucket | 0.5 |
| Spill Guard | Bolt to bucket | 0.25 |
| Side Guard..... | Bolt to bucket | 0.25 |
| Corner Cutting Edge | Bolt to bucket | 0.25 |
| Cutting Edge | Bolt to bucket | 0.5 |
| Bucket Adapter | Install on bucket..... | 0.25 |
| Bucket Mounting Kit..... | Remove existing mount, weld on new mount..... | 2.0 |

BUCKET SPILL GUARD

BOBCAT LOADER ATTACHMENT

QUICK SPECS

| | <u>Standard</u> |
|--------------------------|-----------------|
| Operating Weight..... | 27 lbs. |
| Overall Width..... | 59.75" |
| Width (Spill Guard)..... | 44" |
| Overall Height..... | 22.5" |

| PART | ATTACHMENT | |
|--------|-------------|--------------|
| NUMBER | DESCRIPTION | SLP IN US \$ |

| | | |
|---|--|-----------------|
| (62 - 80" LOW PROFILE BUCKET) (62 - 80" CONSTR./IND. BUCKET) | | |
| (74 - 88" CONSTR./IND. HEAVY DUTY BUCKET) (68 - 100" SNOW & LIGHT MATERIAL BUCKET) | | |
| 7196474 | BUCKET SPILL GUARD, STANDARD (Protects the operator, cab, tilt cylinders and Bob-Tach pivot area) (Includes a see through 44" Spill Guard and Hardware) | \$280.00 |

DESTINATION CHARGE/FUEL SURCHARGE

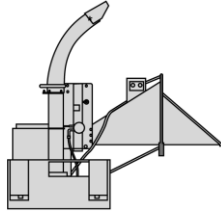
Refer to BobQuote or BobcatNET>>Other Resources>>Pricing Homepage for current Destination and Fuel Charges.

| | INSTALLATION |
|------------|--------------|
| ATTACHMENT | TIME (HOURS) |

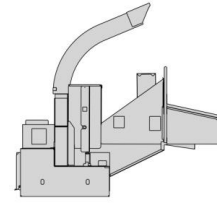
| | | |
|--------------------------|------------------------|------------|
| Bucket Spill Guard | Install on bucket..... | 1.0 |
|--------------------------|------------------------|------------|

CHIPPER

BOBCAT LOADER ATTACHMENT



5A Chipper



8B Chipper

QUICK SPECS

| | <u>5A</u> | <u>8B</u> |
|---|--------------------------------|--------------------------------|
| Operating Weight..... | 1145 lbs. | 1660 lbs. |
| Feeder Opening..... | 5" | 9.2" |
| Continuous Chipping Size..... | Up to 3" diameter material | Up to 5" diameter material |
| Feed Table Height..... | 23.5" | 25.4" |
| Discharge Chute Height..... | 92" | 93.3" |
| Blades..... | 4 reversible tool steel blades | 4 reversible tool steel blades |
| Dual Mounting Locations..... | Front or right side of loader | Front or right side of loader |
| Discharge Chute (Incl. End Deflector).. | Rotates 360° | Rotates 360° |

Both chippers have automatic hydraulic feed, which includes speed control and load sensing system.

| PART NUMBER | ATTACHMENT DESCRIPTION | SLP IN US \$ |
|-------------|------------------------|--------------|
|-------------|------------------------|--------------|

(S130, S150, S160, S175, S185, S205) (S450, S510, S530, S550, S570, S590, S595, S630, S650, S740, S750, S770, S850)(A770) (T140, T180, T190) (T450, T550, T590, T595, T630, T650, T740, T750, T770, T870)

6719129 5A CHIPPER \$10,854.00
 (Loader must be equipped with an Attachment Control Kit – See Page 1)
 (Attachment includes a 7-pin harness only) (Approved G-Series and newer Loaders only)

(S160H, S185H, S205H) (S550H, S570H, S590H, S595H, S630H, S650H, S740H, S750H, S770H, S850H) (A770H) (T180H, T190H) (T550H, T590H, T595H, T630H, T650H, T740H, T750H, T770H, T870H)

7117662 8B CHIPPER \$13,657.00
 (Loader must be equipped with an 7-Pin Attachment Control Kit – See Page 1)
 (Approved G-Series and new Loaders only)

Note: 5A Chipper must be installed on 700-800 Series BICS Loaders. Will not function on non-BICS loaders, 953s or 963s. 700-800 Series Loaders prior to G-Series need a Remote Attachment Control Kit, P/N 6716566
 8B Chipper must be installed on G-Series and new loaders only

DESTINATION CHARGE/FUEL SURCHARGE

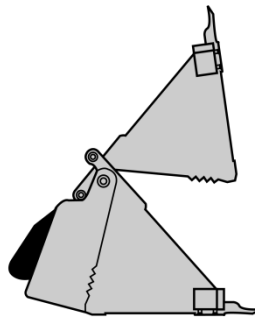
Refer to BobQuote or BobcatNET>>Other Resources>>Pricing Homepage for current Destination and Fuel Charges.

| ATTACHMENT | ASSEMBLY REQUIRED | INSTALLATION TIME (HOURS) |
|------------|-------------------|---------------------------|
|------------|-------------------|---------------------------|

| | | |
|------------------------------|------------------------------|------------|
| Chipper | Install discharge chute..... | .25 |
| Attachment Control Kit | | See Page 1 |

COMBINATION BUCKET

BOBCAT LOADER ATTACHMENT



QUICK SPECS

| | <u>62"</u> | <u>68"</u> | <u>74"</u> | <u>80"</u> | <u>84"</u> |
|-------------------------|--|----------------------|----------------------|----------------------|----------------------|
| Operating Weight | 807 lbs. | 852 lbs. | 898 lbs. | 1075 lbs. | 1109 lbs. |
| Overall Width | 62.5" | 68.5" | 74.5" | 81.4" | 85.4" |
| SAE Capacity Heaped .. | 10.7 ft ³ | 11.8 ft ³ | 13.4 ft ³ | 18.3 ft ³ | 19.3 ft ³ |
| Number of Teeth..... | 7 bolt-on | 7 bolt-on | 8 bolt-on | 8 bolt-on | 9 bolt-on |
| Max Clamping Force | 8590 lbs. | 8590 lbs. | 8590 lbs. | 6834 lbs. | 6834 lbs. |
| Cutting Edges | 62-84" include Bolt-On Cutting Edge on Dozer & back of Clamshell | | | | |

| PART NUMBER | ATTACHMENT DESCRIPTION | SLP IN US \$ |
|-------------|------------------------|--------------|
|-------------|------------------------|--------------|

(S130, S150*, S160*, S175*, S185*) (S450, S510*, S530*, S550*, S570*, S590*, S595*) (T140) (T450)

7167310 62" COMBINATION BUCKET **\$3,210.00**
(Bolt-on Teeth are available from Bobcat Parts)

(S150, S160, S175, S185, S205) (S510, S530, S550, S570, S590, S595) (S630*, S650*, S740*, S750*, S770*)

(T180, T190) (T550, T590, T595)

7167311 68" COMBINATION BUCKET **\$3,416.00**
(Bolt-on Teeth are available from Bobcat Parts)

(S150, S160, S175, S185, S205) (S550, S570, S590, S595, S630, S650, S740, S750, S770) (A770)

(T180, T190) (T550, T590, T595, T630, T650)

7167312 74" COMBINATION BUCKET **\$3,601.00**
(Bolt-on Teeth are available from Bobcat Parts)

(S630, S650, S740, S750, S770) (A770) (T630, T650, T740, T750, T770)

7167313 80" COMBINATION BUCKET **\$4,4309.00**
(Bolt-on Teeth are available from Bobcat Parts)

(S740, S750, S770) (A770) (T650, T740, T750, T770)

7167314 84" COMBINATION BUCKET **\$4,821.00**
(Bolt-on Teeth are available from Bobcat Parts)

***REQUIRES INSET RIMS**

COMBINATION BUCKET

BOBCAT LOADER ATTACHMENT

- Note:** Combination Buckets are not approved for use with the Tilt-Tatch.
- Note:** Combination Buckets may interfere with tracks at extreme roll-back position on some loaders. Use of lift-arm stop is required if this occurs.
- Note:** It is recommended that a port relief be installed for use with the Combination Buckets except when used on a 463, S70, S100, T100 or MT. Installation instructions are included in the Operation Manual. Order the following from Bobcat Parts.
- 6684646 Port relief (4000 psi) – for M-Series loaders, S450/T450 and larger
 - 6684645 Port relief (3500 psi) – for G-Series through K-Series loaders with one-piece control valves (started April 2004)
 - 6678574 Port relief (3500 psi) – for F-Series & G-Series loaders until April 2004
- Note:** Older loaders listed below will require the following parts, which must be ordered separately from Bobcat Parts.
- 6513594 Port Relief (for 740s with Gresen Valve)
 - 6514641 Port Relief (for 843s with Cessna Valve)
 - 6658127 Check Valve (for 853s with Apitech Valve)

| PART NUMBER | DEALER INSTALLED ACCESSORIES – ORDER FROM PARTS DESCRIPTION |
|-------------|---|
|-------------|---|

For current Dealer Installed Accessories pricing, reference BobQuote or Dealer Parts Department.

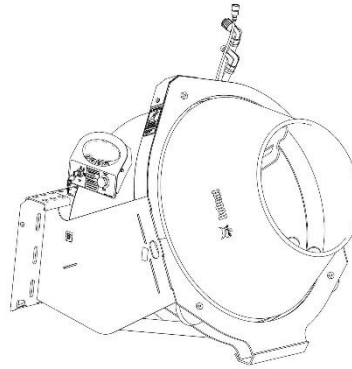
| | | |
|----------------|--|--|
| 6728247 | 7 BOLT-ON TEETH KIT PARTS \$ _____ (For 44" Combination Bucket) (1-Piece Bolt-on Tooth Shank) (Hardware included) (When quoting, must use multiple of 7, for example: 7 x \$11.34=\$79.38) | |
| 6737322 | 8 BOLT-ON TEETH KIT PARTS \$ _____ (For 62" to 84" Combination Buckets) (Must purchase multiple of 8, for example: 8 x \$25.51=\$204.08) (Tooth Assembly includes Bolt-on Shank with Pin-on Tooth) (Hardware included) | |
| 7107317 | HENSLEY FORGED TOOTH POINT PARTS \$ _____ (Qty. 1) | |
| 7107320 | HENSLEY TIGER TOOTH POINT PARTS \$ _____ (Qty. 1) | |
| 7107321 | HENSLEY TWIN TIGER TOOTH POINT PARTS \$ _____ (Qty. 1) | |
| 6718005 | BOLT-ON CUTTING EDGE, 62" PARTS \$ _____ (Estimated install time 1.5 hours) | |
| 6718006 | BOLT-ON CUTTING EDGE, 68" PARTS \$ _____ (Estimated install time 1.5 hours) | |
| 6718007 | BOLT-ON CUTTING EDGE, 74" PARTS \$ _____ (Estimated install time 1.5 hours) | |
| 6718008 | BOLT-ON CUTTING EDGE, 80" PARTS \$ _____ (Hardware not included) (Estimated install time 1.5 hours) | |
| 6807069 | BOLT-ON CUTTING EDGE, 84" PARTS \$ _____ (Hardware not included) (Estimated install time 1.5 hours) | |

| DESTINATION CHARGE/FUEL SURCHARGE |
|---|
| Refer to BobQuote or BobcatNET>>Other Resources>>Pricing Homepage for current Destination and Fuel Charges. |

| ATTACHMENT | ASSEMBLY REQUIRED | INSTALLATION TIME (HOURS) |
|------------|-------------------|---------------------------|
|------------|-------------------|---------------------------|

| | |
|--|-------------|
| Combination Bucket..... Install port relief & restrictor on loader | 0.75 |
|--|-------------|

CONCRETE MIXER BOBCAT LOADER ATTACHMENT



QUICK SPECS

| | |
|-----------------------------|-----------------------------------|
| | <u>M-Series Compatible</u> |
| Operating Weight | 440 lbs. |
| Length | 43.2" |
| Width..... | 45.2" |
| Height..... | 40.1" |
| Recommended Drum Speed..... | 20 RPM @ 11 gpm |
| Capacity | 6.9 cu. ft. |
| Rotation..... | Bi-rotational |
| Chain | #50 standard roller |

| PART NUMBER | ATTACHMENT DESCRIPTION | SLP IN US \$ |
|----------------|---------------------------|--------------|
|----------------|---------------------------|--------------|

| | | |
|---------|---|-------------------|
| | (S175, S185, S205, S220, S250, S300, S330) (S450, S510, S530, S550, S570, S590, S595, S630, S650, S740, S750, S770, S850) (A300) (A770) (T180, T190, T250, T300, T320) (T450, T550, T590, T595, T630, T650, T740, T750, T770, T870) | |
| 7186695 | M-SERIES COMPATIBLE CONCRETE MIXER (Loader must be equipped with a 7-pin Attachment Control Kit. – See Page 1 and 2) (Attachment will not operate on competitive machines or 14-pin loaders) (Attachment includes a 7-Pin Harness only) | \$4,277.00 |

Note: Concrete Mixer needs to be installed on BICS Loaders. Concrete Mixer will not function on non-BICS loaders, 953s or 963.

DESTINATION CHARGE/FUEL SURCHARGE

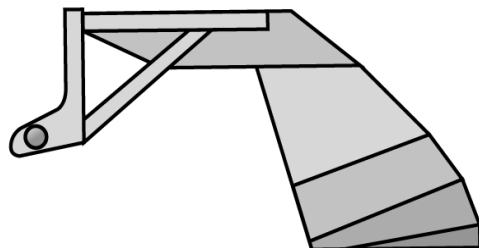
Refer to BobQuote or BobcatNET>>Other Resources>>Pricing Homepage for current Destination and Fuel Charges.

| ATTACHMENT | ASSEMBLY REQUIRED | INSTALLATION TIME (HOURS) |
|------------|-------------------|------------------------------|
|------------|-------------------|------------------------------|

| | | |
|------------------------------|-----------|------------|
| Concrete Mixer | None..... | - |
| Attachment Control Kit | | See Page 1 |

DIGGER

BOBCAT LOADER ATTACHMENT



QUICK SPECS

| | | | | |
|------------------------|------------|------------|------------|------------|
| | <u>12S</u> | <u>25"</u> | <u>30"</u> | <u>36"</u> |
| Operating Weight | 200 lbs. | 290 lbs. | 307 lbs. | 325 lbs. |
| Dig Depth | 28" | 48" | 48" | 48" |

| PART NUMBER | DESCRIPTION | SLP IN US \$ |
|-------------|-------------|--------------|
|-------------|-------------|--------------|

| | | |
|---|------------------|------------|
| (MT50, MT52, MT55, MT85) (S70) | | |
| 7100915 | 12S DIGGER | \$834.00 |
| (S130, S150, S160, S175, S185, S205) (S450, S510, S530, S550, S570, S590, S595, S630, S650, S740, S750, S770) (A770) (T140, T180, T190) (T450, T550, T590, T595) | | |
| 6719756 | 25" DIGGER | \$1,078.00 |
| 6719757 | 30" DIGGER | \$1,136.00 |
| 6719758 | 36" DIGGER | \$1,182.00 |

DESTINATION CHARGE/FUEL SURCHARGE

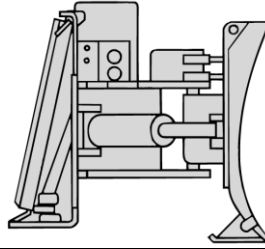
Refer to BobQuote or BobcatNET>>Other Resources>>Pricing Homepage for current Destination and Fuel Charges.

| ATTACHMENT | ASSEMBLY REQUIRED | INSTALLATION TIME (HOURS) |
|------------|-------------------|---------------------------|
|------------|-------------------|---------------------------|

| | | |
|-------------|-----------|---|
| Digger..... | None..... | - |
|-------------|-----------|---|

DOZER BLADE

BOBCAT LOADER ATTACHMENT



QUICK SPECS

| | <u>54"</u> | <u>80"</u> | <u>90"</u> | <u>96"</u> |
|------------------------------|------------|------------|------------|------------|
| Operating Weight..... | 310 lbs. | 950 lbs. | 987 lbs. | 1580 lbs. |
| Width..... | 54" | 80" | 90" | 96" |
| Width (Fully Angled)..... | 46.8" | 69.3" | 78.0" | 83.5" |
| Blade Height | 20.0" | 24.1" | 24.2" | 25.2" |
| Overall Height..... | 21.9" | 24.9" | 25.2" | 27.7" |
| Length | 28.7" | 33.0" | 33.0" | 34.8" |
| Oscillation | 0° | ± 8° | ± 8° | ± 10° |
| Angle..... | ± 30° | ± 30° | ± 30° | ± 30° |
| Cutting Edge (reversible) .. | 0.38" x 4" | 0.5" x 6" | 0.5" x 6" | 0.63" x 6" |
| Cylinders..... | 1 | 3 | 3 | 3 |
| Skid Shoes..... | Adjustable | Adjustable | Adjustable | Adjustable |

| PART NUMBER | ATTACHMENT DESCRIPTION | SLP IN US \$ |
|-------------|------------------------|--------------|
|-------------|------------------------|--------------|

(MT50, MT52, MT55, MT85) (S70)
7196165 **54" UTILITY BLADE (WITH HYDRAULIC ANGLE)** **\$1,753.00**
 (To be used as either a Snow Blade or a Dozer Blade)

(S130, S150, S160, S175, S185, S205) (S450, S510, S530, S550, S570, S590, S595, S630, S650, S740, S750, S770) (T140, T180, T190) (T450, T550, T590, T595, T630, T650)
6905884 **80" DOZER BLADE, 6-WAY**..... **\$5,229.00**
 (Loader must be equipped with an Attachment Control Kit – See Page 1 or 2)
 (When used on loaders equipped with a 14-Pin Attachment Control Kit, a 14-Pin Attachment T-Harness Kit is required – See Page 1)

(S530, S550, S570, S590, S595, S630, S650, S740, S750, S770) (A770) (T550, T590, T595, T630, T650)
6905811 **90" DOZER BLADE, 6-WAY**..... **\$5,528.00**
 (Loader must be equipped with an Attachment Control Kit – See Page 1 or 2)
 (When used on loaders equipped with a 14-Pin Attachment Control Kit, a 14-Pin Attachment T-Harness Kit is required – See Page 1)

(S630, S650, S740, S750, S770, S850) (A770) (T630, T650, T740, T750, T770, T870)
7105781 **96" DOZER BLADE, 6-WAY**..... **\$6,966.00**
 (Loader must be equipped with an Attachment Control Kit – See Page 1 or 2)
 (When used on loaders equipped with a 14-Pin Attachment Control Kit, a 14-Pin Attachment T-Harness Kit is required – See Page 1)

DOZER BLADE

BOBCAT LOADER ATTACHMENT

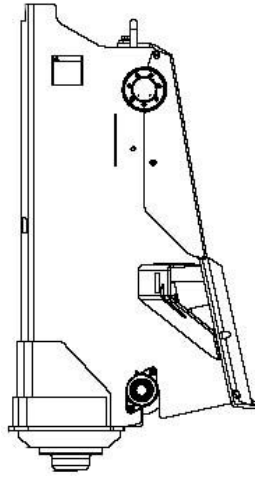
DESTINATION CHARGE/FUEL SURCHARGE
 Refer to BobQuote or BobcatNET>>Other Resources>>Pricing Homepage for current Destination and Fuel Charges.

| | | |
|-------------------|--------------------------|---------------------|
| | ASSEMBLY REQUIRED | INSTALLATION |
| ATTACHMENT | | TIME (HOURS) |

| | | |
|------------------------------|----------------------------------|------------|
| Utility Blade..... | Align and secure guide rod | .25 |
| Dozer Blade | Adjust shoes | 0.50 |
| Attachment Control Kit | | See Page 1 |

DROP HAMMER

BOBCAT LOADER ATTACHMENT



QUICK SPECS

| | |
|------------------------------------|---------------|
| Overall Weight | 1925 lbs. |
| Weight of Hammer | 1140 lbs. |
| Height (Hammer fully raised) | 74" |
| Length | 29" |
| Hammer Stroke | 38" |
| Impact Energy Rating | 3600 ft.-lbs. |
| Required Flow | 13 – 22 gpm. |
| Stroke Rate per Minute | 20 |
| Maximum Concrete Thickness | 14-18" |
| Minimum Concrete Thickness | 5" |

| PART NUMBER | ATTACHMENT DESCRIPTION | SLP IN US \$ |
|-------------|------------------------|--------------|
|-------------|------------------------|--------------|

(S175, S185, S205) (S510, S530, S550, S570, S590, S595, S630, S650, S740, S750, S770, S850) (A770)
 (T180, T190) (T550, T590, T595, T630, T650, T740, T750, T770, T870)
7137810 DROP HAMMER \$8,935.00

DESTINATION CHARGE/FUEL SURCHARGE

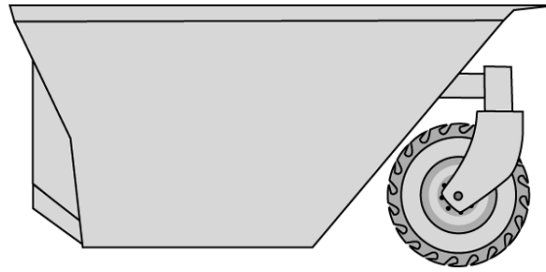
Refer to BobQuote or BobcatNET>>Other Resources>>Pricing Homepage for current Destination and Fuel Charges.

| ATTACHMENT | ASSEMBLY REQUIRED | INSTALLATION TIME (HOURS) |
|------------|-------------------|---------------------------|
|------------|-------------------|---------------------------|

Drop HammerNone..... -

DUMPING HOPPER

BOBCAT LOADER ATTACHMENT



QUICK SPECS

| | <u>Model 10</u> | <u>Model 25</u> |
|------------------------|-----------------|-----------------|
| Operating Weight..... | 665 lbs. | 1190 lbs. |
| Height..... | 40" | 40" |
| Length..... | 83" | 83" |
| Width..... | 36" | 84" |
| Capacity - Struck..... | 25.7 cu. ft. | 67.5 cu. ft. |
| Capacity - Heaped..... | 29.7 cu. ft. | 87.9 cu. ft. |

| PART NUMBER | ATTACHMENT DESCRIPTION | SLP IN US \$ |
|-------------|------------------------|--------------|
|-------------|------------------------|--------------|

(S70, S100) (T110)

6727275 MODEL 10 DUMPING HOPPER..... \$3,148.00
 (Includes 8.5 x 12 Bobcat Heavy Duty Tire. Tire is not installed on Dumping Hopper.)
 (For S100 and T110 must also order Mounting Frame P/N 6729483)

(S130, S150, S160, S175, S185, S205) (S510, S530, S550, S570, S590, S595, S630, S650, S740, S750, S770, S850) (A770) (T140, T180, T190) (T450, T550, T590, T595, T630, T650, T740, T750, T770, T870)

6717597 MODEL 25 DUMPING HOPPER..... \$4,869.00
 (Includes 8.5 x 12 Bobcat Heavy Duty Tires. Tires are not installed on Dumping Hopper.)

| PART NUMBER | DEALER INSTALLED ACCESSORIES – ORDER FROM PARTS DESCRIPTION |
|-------------|---|
|-------------|---|

For current Dealer Installed Accessories pricing, reference BobQuote or Dealer Parts Department.

6729483 MOUNTING FRAME BRACKET..... PARTS \$_____
 (Must be ordered when using the Model 10 Dumping Hopper with the S100 and T110)

DESTINATION CHARGE/FUEL SURCHARGE

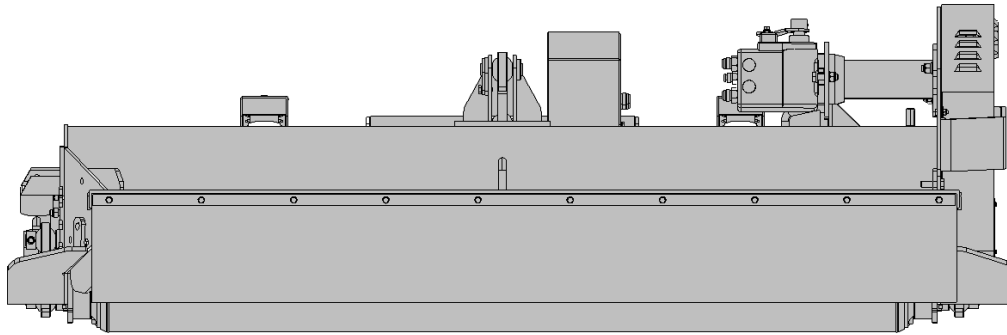
Refer to BobQuote or BobcatNET>>Other Resources>>Pricing Homepage for current Destination and Fuel Charges.

| ATTACHMENT | INSTALLATION TIME (HOURS) |
|------------|---------------------------|
|------------|---------------------------|

| | |
|--|------|
| Dumping Hopper on S100/T110..... Install Mounting Frame..... | .25 |
| Dumping Hopper..... Install tires | 0.50 |

FLAIL CUTTER

BOBCAT LOADER ATTACHMENT



QUICK SPECS

| | |
|------------------------|--|
| Operating Weight..... | 1,640 lbs. |
| Cutting Width..... | 78" |
| Cutting Height..... | 1.5" – 3" |
| Overall Width..... | 91" |
| Flow | 17 – 40 gpm |
| Hammers | 21 |
| Cutting Capacity | Brush material up to 3" in diameter |
| Blade Tip Speed..... | 8200 ft./min. @ 2000 RPM 9000 ft./min. @ 2200 RPM |

| PART NUMBER | ATTACHMENT DESCRIPTION | SLP IN US \$ |
|-------------|------------------------|--------------|
|-------------|------------------------|--------------|

(S175, S185, S185H, S205, S205H) (S510, S530, S550, S550H, S570, S570H, S590, S590H, S595, S595H, S630, S630H, S650, S650H, S740, S740H, S750, S750H, S770, S770H, S850, S850H) (A770, A770H) (T180, T180H, T190, T190H) (T550, T550H, T590, T590H, T595, T595H, T630, T630H, T650, T650H, T740, T740H, T750, T750H, T770, T770H, T870, T870H)

7101894 FC200 FLAIL CUTTER..... \$12,686.00

DESTINATION CHARGE/FUEL SURCHARGE

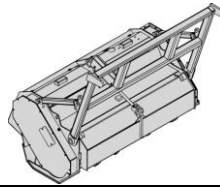
Refer to BobQuote or BobcatNET>>Other Resources>>Pricing Homepage for current Destination and Fuel Charges.

| ATTACHMENT | ASSEMBLY REQUIRED | INSTALLATION TIME (HOURS) |
|------------|-------------------|---------------------------|
|------------|-------------------|---------------------------|

Flail CutterNone..... -

FORESTRY CUTTER

BOBCAT LOADER ATTACHMENT



QUICK SPECS

| | <u>50"</u> | <u>60"</u> | <u>50"</u> <u>2-Spd</u> | <u>60"</u> <u>2-Spd</u> | <u>70"</u> <u>2-Spd</u> |
|----------------------------------|------------|------------|----------------------------|----------------------------|----------------------------|
| Operating Weight | 2,185 lbs. | 2,364 lbs. | 2,176 lbs. | 2,234 lbs. | 2,900 lbs. |
| Operating Weight with Front Gate | 2,227 lbs. | 2,497 lbs. | 2,218 lbs. | 2,367 lbs. | 3,065 lbs. |
| Cutting Width | 50" | 60" | 50" | 60" | 70" |
| Overall Width | 62.1" | 73.3" | 62.1" | 73.3" | 84.4" |
| Number of Teeth | 24 | 30 | 24 | 30 | 36 |
| Tree Diameter: | | | | | |
| Continuous Use | 4 – 5" | 4 – 5" | 4 – 5" | 4 – 5" | 4 – 5" |
| Intermittent Removal | 7 – 9" | 7 – 9" | 7 – 9" | 7 – 9" | 7 – 9" |
| Occasional Removal | 10 – 12" | 10 – 12" | 10 – 12" | 10 – 12" | 10 – 12" |

| PART NUMBER | ATTACHMENT DESCRIPTION | SLP IN US \$ |
|-------------|------------------------|--------------|
|-------------|------------------------|--------------|

(S750H, S770H, S850H) (A770H) (T750H, T770H, T870H)

- 7194306 FORESTRY CUTTER, 50" \$24,809.00**
- For iT4 and Tier 3 M-Series Loaders (S750H, S770H, S850H, A770H, T750H, T770H, T870H) must also order Forestry Applications Kit, M-Series (p/n 7230523) and Engine Compartment Seal Kit
 - For Tier 4 M-Series Loaders (S750H, S770H, S850H, A770H, T750H, T770H, T870H) must also order Forestry Applications Kit, M-Series (p/n 7257723) and Engine Compartment Seal Kit
 - Loader must be equipped with high flow and upgraded cooling system
 - For K-Series Loaders (S300H, S330H, A300H, T250H, T300H, T320H) must also order Forestry Applications Kit, K-Series p/n 7131810

(The following K-Series loader serial numbers must be equipped with the cooling system upgrade kit p/n 7126319 - order from Bobcat Parts: A300 s/n 539911675 & below; T300 s/n 532015066 & below; T250 s/n 531812826 & below; S300 s/n 531115051 & below) (All S330 loaders are equipped with the upgraded cooling system)

(For loaders A300 s/n A5GW19999 and below; S300 A5GP19999 and below; S330 A5HA19999 and below; T250 A5GS19999 and below; T300 A5GU19999 and below; and T320 A7MP60000 and below must also order door wiring harness kit, p/n 7155443 from parts.)

(S750H, S770H, S850H) (A770H) (T750H, T770H, T870H)

- 7194305 FORESTRY CUTTER, 60" \$26,139.00**
- For iT4 and Tier 3 M-Series Loaders (S750H, S770H, S850H, A770H, T750H, T770H, T870H) must also order Forestry Applications Kit, M-Series (p/n 7230523) and Engine Compartment Seal Kit
 - For Tier 4 M-Series Loaders (S750H, S770H, S850H, A770H, T750H, T770H, T870H) must also order Forestry Applications Kit, M-Series (p/n 7257723) and Engine Compartment Seal Kit
 - Loader must be equipped with high flow and upgraded cooling system
 - For K-Series Loaders (S300H, S330H, A300H, T250H, T300H, T320H) must also order Forestry Applications Kit, K-Series p/n 7131810

(The following K-Series loader serial numbers must be equipped with the cooling system upgrade kit p/n 7126319 - order from Bobcat Parts: A300 s/n 539911675 & below; T300 s/n 532015066 & below; T250 s/n 531812826 & below; S300 s/n 531115051 & below) (All S330 loaders are equipped with the upgraded cooling system)

(For loaders A300 s/n A5GW19999 and below; S300 A5GP19999 and below; S330 A5HA19999 and below; T250 A5GS19999 and below; T300 A5GU19999 and below; and T320 A7MP60000 and below must also order door wiring harness kit, p/n 7155443 from parts.)

FORESTRY CUTTER

BOBCAT LOADER ATTACHMENT

| PART NUMBER | ATTACHMENT DESCRIPTION | SLP IN US \$ |
|-------------|------------------------|--------------|
|-------------|------------------------|--------------|

(S750H, S770H, S850H) (A770H) (T750H, T770H, T870H)

7204123 FORESTRY CUTTER, 50" 2-SPEED..... \$27,324.00

- For iT4 and Tier 3 M-Series Loaders (S750H, S770H, S850H, A770H, T750H, T770H, T870H) must also order Forestry Applications Kit, M-Series (p/n 7230523) and Engine Compartment Seal Kit
- For Tier 4 M-Series Loaders (S750H, S770H, S850H, A770H, T750H, T770H, T870H) must also order Forestry Applications Kit, M-Series (p/n 7257723) and Engine Compartment Seal Kit
- Loader must be equipped with high flow and upgraded cooling system
- For K-Series Loaders (S300H, S330H, A300H, T250H, T300H, T320H) must also order Forestry Applications Kit, K-Series p/n 7131810

(The following K-Series loader serial numbers must be equipped with the cooling system upgrade kit p/n 7126319 - order from Bobcat Parts: A300 s/n 539911675 & below; T300 s/n 532015066 & below; T250 s/n 531812826 & below; S300 s/n 531115051 & below) (All S330 loaders are equipped with the upgraded cooling system)

(For loaders A300 s/n A5GW19999 and below; S300 A5GP19999 and below; S330 A5HA19999 and below; T250 A5GS19999 and below; T300 A5GU19999 and below; and T320 A7MP60000 and below must also order door wiring harness kit, p/n 7155443 from parts.)

(S750H, S770H, S850H) (A770H) (T750H, T770H, T870H)

7204127 FORESTRY CUTTER, 60" 2-SPEED..... \$28,824.00

- For iT4 and Tier 3 M-Series Loaders (S750H, S770H, S850H, A770H, T750H, T770H, T870H) must also order Forestry Applications Kit, M-Series (p/n 7230523) and Engine Compartment Seal Kit
- For Tier 4 M-Series Loaders (S750H, S770H, S850H, A770H, T750H, T770H, T870H) must also order Forestry Applications Kit, M-Series (p/n 7257723) and Engine Compartment Seal Kit
- Loader must be equipped with high flow and upgraded cooling system
- For K-Series Loaders (S300H, S330H, A300H, T250H, T300H, T320H) must also order Forestry Applications Kit, K-Series p/n 7131810

(The following K-Series loader serial numbers must be equipped with the cooling system upgrade kit p/n 7126319 - order from Bobcat Parts: A300 s/n 539911675 & below; T300 s/n 532015066 & below; T250 s/n 531812826 & below; S300 s/n 531115051 & below) (All S330 loaders are equipped with the upgraded cooling system)

(For loaders A300 s/n A5GW19999 and below; S300 A5GP19999 and below; S330 A5HA19999 and below; T250 A5GS19999 and below; T300 A5GU19999 and below; and T320 A7MP60000 and below must also order door wiring harness kit, p/n 7155443 from parts.)

(S850H) (T750H, T770H, T870H)

7305459 FORESTRY CUTTER, 70" 2-SPEED \$31,845.00

- For iT4 and Tier 3 M-Series Loaders (S850H, T750H, T770H, T870H) must also order Forestry Applications Kit, M-Series (p/n 7230523) and Engine Compartment Seal Kit
- For Tier 4 M-Series Loaders (S850H, T750H, T770H, T870H) must also order Forestry Applications Kit, M-Series (p/n 7257723) and Engine Compartment Seal Kit
- Loader must be equipped with high flow and upgraded cooling system
- T750H and T770H: Must be equipped with 400 Pound Counter Weight Kit, Part # 7129252

| PART NUMBER | FACTORY INSTALLED OPTIONS DESCRIPTION | SLP IN US \$ |
|-------------|---------------------------------------|--------------|
|-------------|---------------------------------------|--------------|

7195450 FRONT GATE, 50"..... \$1,806.00
(Produces finer mulch)

7195323 FRONT GATE, 60"..... \$1,833.00
(Produces finer mulch)

FORESTRY CUTTER

BOBCAT LOADER ATTACHMENT

| DEALER INSTALLED ACCESSORIES – ORDER FROM SALES | | |
|--|---|-------------------|
| PART NUMBER | DESCRIPTION | SLP IN US \$ |
| 7131810 | FORESTRY APPLICATIONS KIT, K-SERIES Kit is required to operate Forestry Cutter and provides operator & machine protection. Not compatible with rear auxiliary hydraulics. Kit includes: Forestry Door (3/4 in. laminated polycarbonate), Front and Rear Light Guards, Hydraulic Quick Coupler Guard, Fire Extinguisher, Level II FOPS, Debris Screen for Radiator, Muffler Guard, Lift Cylinder Debris Shields, Top and Rear Windows (1/4 in. polycarbonate), Cab Bulb Seal and Door Threshold and Seal (Estimated install time 6.5 hours) | \$5,217.00 |
| 7230523 | TIER 3 AND T4 FORESTRY APPLICATIONS KIT, M-SERIES Kit is required to operate Forestry Cutter and provides operator & machine protection. Must also order Engine Compartment Seal Kit Not compatible with rear auxiliary hydraulics. Kit includes: Forestry Door (3/4 in. laminated polycarbonate), Front and Rear Light Guards, Hydraulic Quick Coupler Guard, Fire Extinguisher, Level II FOPS, Muffler Guard, Top and Rear Windows, Polycarbonate Side Windows (Estimated install time 6.5 hours) | \$8,253.00 |
| 7257723 | TIER 4 FORESTRY APPLICATIONS KIT, M-SERIES..... Kit is required to operate Forestry Cutter and provides operator & machine protection. Must also order Engine Compartment Seal Kit Not compatible with rear auxiliary hydraulics. Kit includes: Forestry Door (3/4 in. laminated polycarbonate), Front and Rear Light Guards, Hydraulic Quick Coupler Guard, Fire Extinguisher, Level II FOPS, Top and Rear Windows, Polycarbonate Side Windows (Estimated install time 6.5 hours) | \$8,253.00 |

| DEALER INSTALLED ACCESSORIES – ORDER FROM SALES | | |
|--|---|-------------------|
| PART NUMBER | DESCRIPTION | SLP IN US \$ |
| 7195448 | FRONT GATE, 50"..... (Produces finer mulch) (Estimated install time 1.5 hours) | \$1,690.00 |
| 7195319 | FRONT GATE, 60"..... (Produces finer mulch) (Estimated install time 1.5 hours) | \$1,721.00 |
| 7310331 | FRONT GATE, 70" (Produces finer mulch) (Estimated install time 1.5 hours) | \$1,808.00 |

| DEALER INSTALLED ACCESSORIES – ORDER FROM PARTS | | |
|--|-------------|--|
| PART NUMBER | DESCRIPTION | |

For current Dealer Installed Accessories pricing, reference BobQuote or Dealer Parts Department.

| | | |
|---------|--|--|
| 7190789 | ENGINE COMPARTMENT SEAL KIT, S750, S770, A770, T750, T770... PARTS \$ _____ (Required when using M-Series 700 platform machines with forestry cutters) (Kit includes cab/mainframe seal, tailgate seal, mainframe slot covers and lift cylinder boots) (Estimated install time 2 hours) | |
| 7196560 | FORESTRY WIPER KIT PARTS \$ _____ (Estimated install time 2 hours) | |
| 7179952 | ENGINE COMPARTMENT SEAL KIT, S850 & T870 PARTS \$ _____ (Required when using M-Series 800 platform machines with forestry cutters) (Kit includes cab/mainframe seal, tailgate seal, mainframe slot covers and lift cylinder boots) (Estimated install time 2 hours) | |
| 7126319 | COOLING UPGRADE KIT PARTS \$ _____ (K-Series loader serial numbers must be equipped with the cooling system upgrade kit p/n 7126319 - order from Bobcat Parts: A300 s/n 539911675 & below; T300 s/n 532015066 & below; T250 s/n 531812826 & below; S300 s/n 531115051 & below) (All S330 loaders are equipped with the upgraded cooling system) | |
| 7155443 | DOOR WIRING HARNESS KIT PARTS \$ _____ (For loaders A300 s/n 530750000 and A5GW19999 and below; S300 531150000 and A5GP19999 and below; S330 A020500000 and A5HA10999 and below; T250 5318500000 and A5GS19999 and below; T300 5320500000 and A5GU19999 and below; and T320 A7MP60000 and below) | |

Prices and Specifications

Subject to Change Without Notice

Loader Attachments
All Prices in U.S. Dollars

North American Suggested List Prices
2019 Price Book

Check BobcatNET Pricing Homepage for current Canadian exchange rate.

Page 73 of 151

FORESTRY CUTTER

BOBCAT LOADER ATTACHMENT

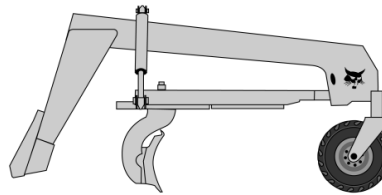
DESTINATION CHARGE/FUEL SURCHARGE
 Refer to BobQuote or BobcatNET>>Other Resources>>Pricing Homepage for current Destination and Fuel Charges.

| ATTACHMENT | ASSEMBLY REQUIRED | INSTALLATION TIME (HOURS) |
|------------|-------------------|------------------------------|
|------------|-------------------|------------------------------|

| | | |
|--------------------------------------|-----------|-----|
| Forestry Cutter, 50", 60", 70" | None..... | - |
| Cooling Upgrade Kit | | 5.0 |
| Forestry Applications Kit..... | | 6.5 |
| Front Gate Kit..... | | 1.5 |

GRADER

BOBCAT LOADER ATTACHMENT



QUICK SPECS

| | <u>84"</u> | <u>96"</u> | <u>108"</u> |
|--|---------------|------------------|------------------|
| Operating Weight | 1375 lbs. | 2788 lbs. | 2861 lbs. |
| Width of Moldboard | 84" | 96" | 108" |
| Width of Moldboard Fully Angled | 76.1" | 83.3" | 93.7" |
| Moldboard Angle (Right or Left) | ± 25° | ± 30° | ± 30° |
| Blade Offset (Right or Left) | ± 12"(manual) | ± 13"(hydraulic) | ± 13"(hydraulic) |
| Bolster Oscillation | ± 25° | ± 12° | ± 12° |
| Moldboard Cutting Edge (reversible)..... | 1/2" x 6" | 5/8" x 6" | 5/8" x 6" |
| Cylinders..... | 3 | 5 | 5 |

| PART NUMBER | ATTACHMENT DESCRIPTION | SLP IN US \$ |
|-------------|------------------------|--------------|
|-------------|------------------------|--------------|

(S130, S150, S160, S175, S185, S205) (S450, S510, S530, S550, S570, S590, S595, S630, S650, S740, S750, S770) (A770) (T140, T180, T190) (T450, T550, T590, T595)

6906480 GRADER, 84" **\$9,623.00**
 (Loader must be equipped with an Attachment Control Kit – See Page 1 or 2)
 (When used on loaders equipped with a 14-Pin Attachment Control Kit, a 14-Pin Attachment T-Harness Kit P/N 7164095 is required – See Page 1)

(S740, S750, S770, S850) (A770) (T650, T740, T750, T770, T870)

7160005 GRADER, 96" **\$15,219.00**
 (Loader must be equipped with an Attachment Control Kit – See Page 1 or 2)
 (When used on loaders equipped with a 14-Pin Attachment Control Kit, a 14-Pin Attachment T-Harness Kit P/N 7164095 is required – See Page 1)

(S740, S750, S770, S850) (A770) (T740, T750, T770, T870)

7182060 GRADER, 108" **\$16,114.00**
 (Loader must be equipped with an Attachment Control Kit – See Page 1 or 2)
 (When used on loaders equipped with a 14-Pin Attachment Control Kit, a 14-Pin Attachment T-Harness Kit P/N 7164095 is required – See Page 1)

7177684 END-WING KIT..... **\$461.00**
 (Converts graders 96" and 108" into box blade for finish grading only)
 (Not compatible with the Sonic Tracer)

| PART NUMBER | DEALER INSTALLED ACCESSORIES – ORDER FROM SALES DESCRIPTION | SLP IN US \$ |
|-------------|---|--------------|
|-------------|---|--------------|

7164094 LASER MOUNTING KIT, BLR2 (MUST ALSO ORDER 2 RECEIVERS) **\$947.00**
 (For 84" Grader)
 (Must also order two laser receivers, p/n 7160486)
 (Approved for use on Graders S/N 64801631 & above, started production April 2009)
 (Includes two receiver poles and wiring harnesses)

7177685 LASER MOUNTING KIT **\$1,012.00**
 (For 96" and 108" Grader)
 (Must also order two laser receivers, p/n 7160486)
 (Includes two receiver poles and wiring harnesses)

GRADER

BOBCAT LOADER ATTACHMENT

| PART NUMBER | DEALER INSTALLED ACCESSORIES – ORDER FROM SALES DESCRIPTION | SLP IN US \$ |
|-------------|---|-------------------|
| 7160486 | LASER RECEIVER, BLR2 (Must order 2 for use with laser kit) (May also need a laser transmitter and tripod—unless customer has this equipment.) (The laser receivers will work with most rotating laser transmitters, for full functionality a dual slope-rotating transmitter is recommended.)(Approved for use on Graders S/N 648001631 & above, started production April 2009, and 96" and 108" Graders) | \$2,099.00 |
| 7275232 | LASER TRANSMITTER, DUAL SLOPE (Trimble GL422N; includes CR600 receiver) | \$2,679.00 |
| 6688806 | TRIPOD | \$268.00 |
| 7211624 | SONIC TRACER AND SLOPE SENSOR MOUNTING KIT (For 96" and 108" Grader) (Must also order Sonic Tracer and Slope Sensor Package, p/n 7023454) (Includes mounting brackets, hardware and wiring harnesses for sonic tracer and slope sensors) (Not compatible with the end-wing kit) | \$1,834.00 |
| 7023454 | SONIC TRACER & SLOPE SENSOR PACKAGE (Approved for 96" and 108" Grader) (Must also order Sonic Tracer and Slope Mounting Kit, p/n 7211624) (Includes ST400 Sonic Tracer, AS400 Slope Sensor (qty 2) and RS400 Rotation Sensor) (Use where laser transmitters won't work because of obstructions or where grader must follow predetermined slopes and land contours) | \$9,785.00 |
| 7306968 | 3D MOUNTING KIT (Required for 3D sensor Kit 7276540 for use with 3D Ready System) | \$1,261.00 |
| 7276541 | 3D HARNESS KIT (Approved for 96" and 108" Grader) (Includes: Machine wiring harness, Attachment wiring Harness, Radio Bracket & Mast Mounts) | \$4,863.00 |
| 7276540 | 3D SENSOR KIT (Approved for 96" and 108" Grader)(Must also order 3D Mounting Kit PN 7306968) (3D Sensor Kit is required when using Single GPS or UTS, the 3D Sensor Kit is not required for dual GPS.)(Includes: AS400 Slope Sensors (qty 2) and RS400 Rotation Sensor) | \$5,557.00 |

| PART NUMBER | DEALER INSTALLED ACCESSORIES – ORDER FROM PARTS DESCRIPTION |
|-------------|---|
|-------------|---|

For current Dealer Installed Accessories pricing, reference BobQuote or Dealer Parts Department.

| | | |
|---------|---|--|
| 7120544 | LASER HARNESS, VALVE PARTS \$ _____ (Needed for Graders, S/N 648000987 & below) | |
| 7117444 | LASER HARNESS MOUNT PARTS \$ _____ (Needed for Graders, S/N 648000987 & below) | |
| 7122476 | LASER MOUNTING KIT (MUST ALSO ORDER 2 RECEIVERS) PARTS \$ _____ (Must also order two laser receivers, p/n 6679014) (Approved for use on 84" Graders S/N 648000101 & thru 648001630) (Approved for use only on BICS loaders) (Includes two receiver poles and wiring harnesses) (Graders S/N 648000987 & below require p/n 7120544 and p/n 7117444) | |

| DESTINATION CHARGE/FUEL SURCHARGE |
|---|
| Refer to BobQuote or BobcatNET>>Other Resources>>Pricing Homepage for current Destination and Fuel Charges. |

| ATTACHMENT | ASSEMBLY REQUIRED | INSTALLATION TIME (HOURS) |
|---|--------------------------------------|---------------------------|
| Grader, 84..... | Assemble cylinder to moldboard | 0.25 |
| Grader, 108 | Assemble moldboard to frame | 1.00 |
| Attachment Control Kit | | 0.25 |
| Laser Control System (Grader 84" S/N 648000988 & above, and Grader 96" & 108")..... | | 0.50 |
| Sonic Tracer & Slope Sensor System..... | | 2.50 |
| End-Wing Kit (Grader 96" & 108" only)..... | | 0.50 |

Prices and Specifications

Subject to Change Without Notice

Check BobcatNET Pricing Homepage for current Canadian exchange rate.

Loader Attachments

All Prices in U.S. Dollars

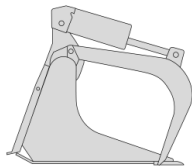
North American Suggested List Prices

2019 Price Book

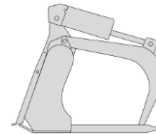
Page 77 of 151

GRAPPLE, INDUSTRIAL

BOBCAT LOADER ATTACHMENT



Industrial Bucket Grapple



Industrial Fork Grapple

QUICK SPECS

| | <u>36" Bkt.</u> | <u>48" Bkt.</u> | <u>62" Bkt.</u> | <u>68" Bkt.</u> |
|-----------------------------|-----------------|-----------------|-----------------|-----------------|
| Operating Weight | 365 lbs. | 448 lbs. | 884 lbs. | 922 lbs. |
| Overall Grapple Width | 36.0" | 48.0" | 62" | 68" |
| # of Teeth - Factory | N/A | N/A | N/A | N/A |
| # of Teeth - Possible | N/A | N/A | N/A | N/A |

| | <u>66" Fork</u> | <u>74" Bkt.</u> | <u>78" Fork</u> | <u>80" Bkt.</u> |
|-----------------------------|-----------------|-----------------|-----------------|-----------------|
| Operating Weight | 937 lbs. | 960 lbs. | 1218 lbs. | 1101 lbs. |
| Overall Grapple Width | 66.9" | 74" | 78.8" | 80" |
| # of Teeth - Factory | 7 | N/A | 8 | N/A |
| # of Teeth - Possible | 13 | N/A | 15 | N/A |

| PART NUMBER | ATTACHMENT DESCRIPTION | SLP IN US \$ |
|-------------|------------------------|--------------|
|-------------|------------------------|--------------|

| | | |
|--|---|-------------------|
| (MT52, MT55, MT85) (S70) | | |
| 7135737 | 36" INDUSTRIAL BUCKET GRAPPLE (Bolt-On Cutting Edge included) | \$1,938.00 |
| (S100) (T110) | | |
| 7140888 | 48" INDUSTRIAL BUCKET GRAPPLE (Bolt-On Cutting Edge included) | \$2,128.00 |
| (S130, S150, S160, S175, S185, S205) (S450, S510, S530, S550, S570, S590, S595) | | |
| (T140, T180, T190) (T450, T550, T590, T595) | | |
| 7168342 | 62" INDUSTRIAL BUCKET GRAPPLE (Bolt-On Cutting Edge included) | \$3,463.00 |
| (S130, S150, S160, S175, S185, S205) (S450, S510, S530, S550, S570, S590, S595, S630, S650, S740, S750, S770) (T140, T180, T190) (T450, T550, T590, T595, T630, T650) | | |
| 7168340 | 68" INDUSTRIAL BUCKET GRAPPLE (Bolt-On Cutting Edge included) | \$3,601.00 |
| (S130, S150, S160, S175, S185, S205) (S450, S510, S530, S550, S570, S590, S595, S630, S650, S740, S750, S770) (T140, T180, T190) (T450, T550, T590, T595, T630, T650) | | |
| 7168344 | 66" INDUSTRIAL FORK GRAPPLE, WITH 7 TEETH | \$4,162.00 |
| (S630, S650, S740, S750, S770) (A770) (T180, T190) (T550, T590, T595, T630, T650) | | |
| 7168290 | 74" INDUSTRIAL BUCKET GRAPPLE (Bolt-On Cutting Edge included) | \$3,881.00 |
| (S630, S650, S740, S750, S770, S850) (A770) (T630, T650, T740, T750, T770, T870) | | |
| 7166624 | 78" INDUSTRIAL FORK GRAPPLE, WITH 8 TEETH | \$4,996.00 |
| (S630, S650, S740, S750, S770, S850) (A770) (T630, T650, T740, T750, T770, T870) | | |
| 7168339 | 80" INDUSTRIAL BUCKET GRAPPLE (Bolt-On Cutting Edge included) | \$4,299.00 |

GRAPPLE, INDUSTRIAL

BOBCAT LOADER ATTACHMENT

Note: It is recommended that a port relief be installed for use with the Industrial Grapples except when used on a 463, S70, S100, T110 or MT. Installation instructions are included in the Operation Manual. Order the following from Bobcat Parts.

- 6684646 Port relief (4000 psi) – for M-Series loaders, S450/T450 and larger
- 6684645 Port relief (3500 psi) – for G-Series through K-Series loaders with one-piece control valves (started April 2004)
- 6678574 Port relief (3500 psi) – for F-Series & G-Series loaders until April 2004

| | |
|---------------|--|
| PART | DEALER INSTALLED ACCESSORIES – ORDER FROM PARTS |
| NUMBER | DESCRIPTION |

For current Dealer Installed Accessories pricing, reference BobQuote or Dealer Parts Department.

- | | | |
|----------------|---|--|
| 6706294 | ADDITIONAL FORK TOOTH PARTS \$ _____ (Must also order 1 Roll Pin per Tooth) | |
| 6706313 | ROLL PIN PARTS \$ _____ (Holds tooth in place) | |

DESTINATION CHARGE/FUEL SURCHARGE

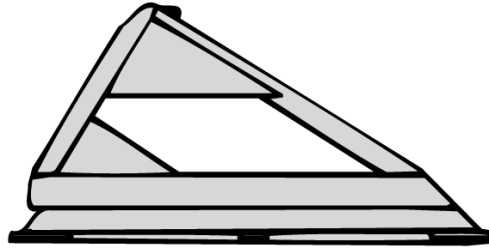
Refer to BobQuote or BobcatNET>>Other Resources>>Pricing Homepage for current Destination and Fuel Charges.

| | | |
|-------------------|--------------------------|---------------------|
| | ASSEMBLY REQUIRED | INSTALLATION |
| ATTACHMENT | | TIME (HOURS) |

| | |
|--|------|
| Industrial Grapple..... Install port relief & restrictor on loader | 0.75 |
|--|------|

LANDPLANE

BOBCAT LOADER ATTACHMENT



QUICK SPECS

| | <u>48" Deluxe</u> | <u>72" Deluxe</u> | <u>78" Deluxe</u> |
|----------------------------|-------------------|-------------------|-------------------|
| Operating Weight..... | 390 lbs. | 680 lbs. | 700 lbs. |
| Length..... | 46.6" | 51.5" | 51.5" |
| Width..... | 48" | 73" | 79" |
| Height..... | 20.6" | 20.9" | 20.9" |
| Working Depth-Scarifier... | 3" | 3.5" | 3.5" |
| Cutting Edge..... | 0.5" x 4" | 0.5" x 6" | 0.5" x 6" |

| PART NUMBER | ATTACHMENT DESCRIPTION | SLP IN US \$ |
|-------------|------------------------|--------------|
|-------------|------------------------|--------------|

| | | |
|---|--|-------------------|
| (MT50, MT52, MT55, MT85) (S70, S100) (T110) | | |
| 6907173 | 48" DELUXE LANDPLANE (Includes expanded metal grate, scarifier assembly, teeth and respective hardware)..... | \$1,267.00 |
| (S100, S130, S150, S160, S175, S185, S205) (S450, S510, S530, S550, S570, S590, S595, S630, S650, S740, S750, S770) (A770) (T110, T140, T180, T190) (T450, T550, T590, T595, T630, T650) | | |
| 6906150 | 72" DELUXE LANDPLANE (Includes expanded metal grate, scarifier assembly, teeth and respective hardware) | \$2,223.00 |
| (S130, S150, S160, S175, S185, S205) (S450, S510, S530, S550, S570, S590, S595, S630, S650, S740, S750, S770) (A770) (T140, T180, T190) (T450, T550, T590, T595, T630, T650, T740, T750, T770) | | |
| 6906115 | 78" DELUXE LANDPLANE (Includes expanded metal grate, scarifier assembly, teeth and respective hardware) | \$2,434.00 |

DESTINATION CHARGE/FUEL SURCHARGE

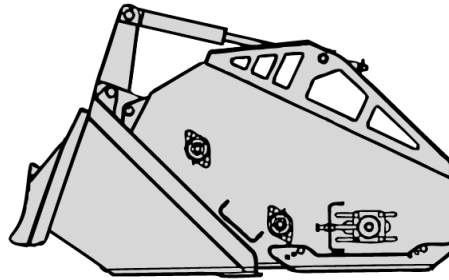
Refer to BobQuote or BobcatNET>>Other Resources>>Pricing Homepage for current Destination and Fuel Charges.

| ATTACHMENT | ASSEMBLY REQUIRED | INSTALLATION TIME (HOURS) |
|------------|-------------------|---------------------------|
|------------|-------------------|---------------------------|

| | | |
|----------------|-----------|---|
| Landplane..... | None..... | - |
|----------------|-----------|---|

LANDSCAPE RAKE

BOBCAT LOADER ATTACHMENT



QUICK SPECS

| | <u>5B</u> | <u>6B</u> |
|--------------------------|--------------|--------------|
| Operating Weight | 1109 lbs. | 1237 lbs. |
| Working Width | 60" | 72" |
| Overall Width..... | 66.6" | 78.6" |
| # of Tooth Bars | 12 | 12 |
| # of Teeth (total) | 384 | 456 |
| Bucket Capacity | 12.1 cu. ft. | 14.3 cu. ft. |

| PART NUMBER | ATTACHMENT DESCRIPTION | SLP IN US \$ |
|-------------|------------------------|--------------|
|-------------|------------------------|--------------|

| | | |
|---|-------------------------|------------|
| (S130, S150, S160, S175, S185, S205) (S450, S510, S530, S550, S570, S590, S595, S630, S650) (T140, T180, T190) (T450, T550, T590, T595, T630, T650) | | |
| 6709107 | 5B LANDSCAPE RAKE | \$7,757.00 |
| (S150, S160, S175, S185, S205) (S510, S530, S550, S570, S590, S595, S630, S650, S740, S750, S770) (A770) (T180, T190) (T550, T590, T595, T630, T650, T740, T750, T770) | | |
| 6710630 | 6B LANDSCAPE RAKE | \$8,131.00 |

Note: Also order Inline Restrictor P/N 6631698 and Adapter P/N 1312113 from Bobcat Parts when installing a Landscape Rake on a 40 series loader.

DESTINATION CHARGE/FUEL SURCHARGE

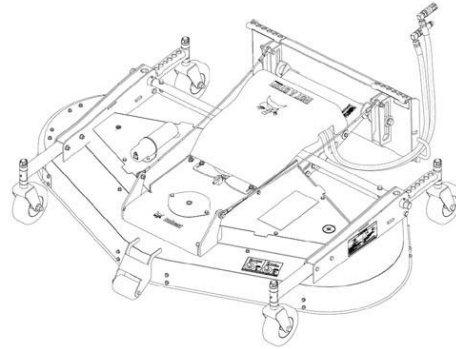
Refer to BobQuote or BobcatNET>>Other Resources>>Pricing Homepage for current Destination and Fuel Charges.

| ATTACHMENT | ASSEMBLY REQUIRED | INSTALLATION TIME (HOURS) |
|------------|-------------------|---------------------------|
|------------|-------------------|---------------------------|

| | | |
|----------------------|---|-----|
| Landscape Rake | Install dump restrictor on loader | 2.0 |
| | (One of each shipped with rake) | |

MOWER

BOBCAT LOADER ATTACHMENT



QUICK SPECS

| | <u>72" Mower</u> | <u>90" Mower</u> |
|-----------------------------------|------------------------|------------------------|
| Operating Weight..... | 880 lbs. | 990 lbs. |
| Cutting Width..... | 71.5" | 89.5" |
| Overall Width..... | 76" | 94" |
| Overall Length..... | 68" | 75" |
| Cutting Height Range..... | 2"—5.5" | 2"—5.5" |
| (adjustable in ½ inch increments) | | |
| Flow Range..... | 15—22 gpm | 15—22 gpm |
| Number of Blades..... | 3 | 3 |
| Shut-off Travel..... | 8.5" | 8.5" |
| Blade Tip Speeds..... | 11,251 ft/min @ 15 GPM | 11,026 ft/min @ 15 GPM |
| | 15,002 ft/min @ 20 GPM | 14,702 ft/min @ 20 GPM |
| | 16,502 ft/min @ 22 GPM | 16,172 ft/min @ 22 GPM |
| | Rear Discharge | Rear Discharge |

| PART NUMBER | ATTACHMENT DESCRIPTION | SLP IN US \$ |
|-------------|------------------------|--------------|
|-------------|------------------------|--------------|

(S100, S130, S150, S160, S175, S185, S205) (S450, S510, S530, S550, S570, S590, S595, S630, S650, S740, S750, S770) (A770) (T110, T140, T180, T190) (T450, T550, T590, T595, T630, T650, T750, T770)

7144850 72" MOWER..... \$5,680.00

(S150, S160, S175, S185, S205) (S510, S530, S550, S570, S590, S595, S630, S650, S740, S750, S770, S850)(A770) (T180, T190) (T550, T590, T595, T630, T650, T740, T750, T770, T870)

7143993 90" MOWER..... \$6,215.00

| PART NUMBER | DEALER INSTALLED ACCESSORIES – ORDER FROM PARTS DESCRIPTION |
|-------------|---|
|-------------|---|

For current Dealer Installed Accessories pricing, reference BobQuote or Dealer Parts Department.

| | | | |
|---------|---------------------------------------|-------|----------|
| 7144843 | MULCH KIT FOR 72" MOWER..... | PARTS | \$ _____ |
| 7144008 | MULCH KIT FOR 90" MOWER..... | PARTS | \$ _____ |
| 7144844 | SIDE DISCHARGE KIT FOR 72" MOWER..... | PARTS | \$ _____ |
| 7144009 | SIDE DISCHARGE KIT FOR 90" MOWER..... | PARTS | \$ _____ |

MOWER
BOBCAT LOADER ATTACHMENT

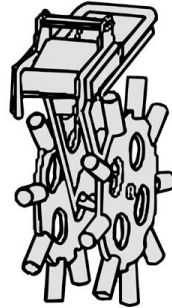
DESTINATION CHARGE/FUEL SURCHARGE
Refer to BobQuote or BobcatNET>>Other Resources>>Pricing Homepage for current Destination and Fuel Charges.

| ATTACHMENT | ASSEMBLY REQUIRED | INSTALLATION TIME (HOURS) |
|-------------------|--------------------------|--------------------------------------|
|-------------------|--------------------------|--------------------------------------|

| | | |
|--------------------------|----------------------------|-------------|
| Side Discharge Kit | Install kit on mower | 0.50 |
|--------------------------|----------------------------|-------------|

PACKER WHEEL

BOBCAT LOADER ATTACHMENT



QUICK SPECS

| | |
|------------------------------|------------------|
| Operating Weight..... | 386 lbs. |
| Width..... | 11" |
| Length..... | 40.5" |
| Wheel Assembly..... | 2 |
| Wheel Diameter..... | 30" |
| Compaction Depth..... | 36.7" |
| Sheepfoot (hollow tube)..... | 18 (9 per wheel) |

| PART NUMBER | ATTACHMENT DESCRIPTION | SLP IN US \$ |
|-------------|------------------------|--------------|
|-------------|------------------------|--------------|

(S130, S150, S160, S175, S185, S205) (S450, S510, S530, S550, S570, S590, S595, S630, S650, S740, S750, S770, S850) (A770) (T140, T180, T190) (T450, T550, T590, T595, T630, T650, T740, T750, T770, T870)

| | | |
|----------------|---|-------------------|
| 6806644 | PACKER WHEEL (Must also order loader x-change mounting frame p/n 7141800) | \$2,208.00 |
|----------------|---|-------------------|

| PART NUMBER | DEALER INSTALLED ACCESSORIES – ORDER FROM SALES DESCRIPTION | SLP IN US \$ |
|-------------|---|--------------|
|-------------|---|--------------|

| | | |
|----------------|---|-------------------|
| 7141800 | LOADER X-CHANGE MOUNTING FRAME | \$1,015.00 |
|----------------|---|-------------------|

DESTINATION CHARGE/FUEL SURCHARGE

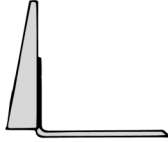
Refer to BobQuote or BobcatNET>>Other Resources>>Pricing Homepage for current Destination and Fuel Charges.

| ATTACHMENT | ASSEMBLY REQUIRED | INSTALLATION TIME (HRS.) |
|------------|-------------------|--------------------------|
|------------|-------------------|--------------------------|

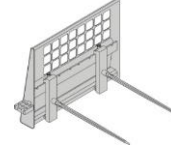
| | | |
|--------------------|-----------|---|
| Packer Wheel | None..... | - |
|--------------------|-----------|---|

PALLET FORKS, STANDARD

BOBCAT LOADER ATTACHMENT



Standard Pallet Fork Teeth and Frame



Bale Forks and Frame

QUICK SPECS

| <u>Frames</u> | <u>Frame Weight</u> | <u>Capacity</u> | <u>Width</u> | <u>Height</u> |
|----------------------------|---------------------|-----------------|--------------|---------------|
| <u>MT/S70</u> | 105 lbs | 1,350 lbs | 36.8" | 32" |
| <u>Standard Duty</u> | 122 lbs | 2,500 lbs | 45.1" | 34.3" |
| <u>Heavy Duty</u> | 153 lbs | 4,000 lbs | 45.1" | 34.3" |
| <u>Severe Duty</u> | 229 lbs | 5,500 lbs | 51.5" | 34.3"/43.2" |

| <u>Teeth</u> | <u>Weight Set 2</u> | <u>Length</u> | <u>Width</u> | <u>Height</u> |
|----------------------------|---------------------|---------------|--------------|---------------|
| <u>MT/S70</u> | 147 lbs | 36" | 4" | 21" |
| <u>Standard Duty</u> | 150 lbs | 42" | 4" | 21" |
| <u>Heavys Duty</u> | 164-184 lbs | 42"/48" | 4" | 21" |
| <u>Severe Duty</u> | 215-238 lbs | 42"/48" | 4" | 21" |
| <u>Bale Fork</u> | 119 lbs | 43.8" | 1.4" | 21" |

| PART | | ATTACHMENT | SLP IN US \$ |
|--------|-------------|------------|--------------|
| NUMBER | DESCRIPTION | | |

| | | | |
|---------------------------------------|---|--|----------|
| (MT50, MT52, MT55, MT85) (S70) | | | |
| 6809716 | BOB-TACH PALLET FORK FRAME, LESS TEETH..... | | \$402.00 |
| 7276448 | PALLET FORK FRAME CII, MT85..... | | \$402.00 |
| 6540184 | 36" PALLET FORK TEETH, SET OF 2..... | | \$274.00 |

Pallet Forks

A new ordering method will be required for bundles of buckets and pallet forks. Instead of ordering a different part number for a bundled product, you will simply use the single part number and the 'Change Quantity' box in OSS to order the quantity that meets the requirement for a bundle discount. The OSS order system will help step you through it and alert you if the product you are ordering can be bundled, what quantity needs to be ordered to get the discount, and what the discounted price will be.

Pallet Frames

(S100, S130, S150, S160, S175, S185, S205) (S450, S510, S530, S550, S570, S590, S595, S630, S650, S740, S750, S770, S850) (A770) (T450, T550, T590, T595, T630, T650, T740, T750, T770, T870)

| | | | |
|---|--|--|----------|
| 7297499 | 2.5K STANDARD DUTY PALLET FORK FRAME, LESS TEETH | | \$335.00 |
| (Quantity discounts will be given on invoice to PN 7297499 when ordered in multiples of 10) | | | |
| 7294305 | 4K HEAVY DUTY PALLET FORK FRAME, LESS TEETH | | \$407.00 |
| (Quantity discounts will be given on invoice to PN 7294305 when ordered in multiples of 10) | | | |
| 7294332 | 5.5K SEVERE DUTY PALLET FORK FRAME, LESS TEETH..... | | \$649.00 |
| (Quantity discounts will be given on invoice to PN 7294332 when ordered in multiples of 10) | | | |

PALLET FORKS, STANDARD

BOBCAT LOADER ATTACHMENT

Pallet Teeth

| | | |
|----------------|---|-----------------|
| 7308798 | 42", 2.5K STANDARD DUTY PALLET FORK TEETH, SET OF 2..... | \$259.00 |
| | (Quantity discounts will be given on invoice to PN 7308798 when ordered in multiples of 10 pairs) | |
| 6540183 | 42", 4K HEAVY DUTY PALLET FORK TEETH, SET OF 2..... | \$292.00 |
| | (Quantity discounts will be given on invoice to PN 6540183 when ordered in multiples of 10 pairs) | |
| 6540182 | 48", 4K HEAVY DUTY PALLET FORK TEETH, SET OF 2..... | \$299.00 |
| | (Quantity discounts will be given on invoice to PN 6540182 when ordered in multiples of 10 pairs) | |
| 6541521 | 42", 5.5K SEVERE DUTY PALLET FORK TEETH, SET OF 2..... | \$396.00 |
| | (Quantity discounts will be given on invoice to PN 6541521 when ordered in multiples of 10 pairs) | |
| 6541518 | 48", 5.5K SEVERE DUTY PALLET FORK TEETH, SET OF 2..... | \$447.00 |
| | (Quantity discounts will be given on invoice to PN 6541518 when ordered in multiples of 10 pairs) | |

Bale Forks

| | | |
|---|----------------------------------|-----------------|
| (STANDARD DUTY, HEAVY DUTY, SEVERE DUTY) | | |
| 6815781 | BALE FORKS, SET OF 2..... | \$682.00 |

| PART | ATTACHMENT ACCESSORIES | |
|---------------|-------------------------------|---------------------|
| NUMBER | DESCRIPTION | SLP IN US \$ |

| | | |
|---|--|-----------------|
| (STANDARD DUTY, HEAVY DUTY, SEVERE DUTY) | | |
| 7306978 | BRICK-GUARD CENTER..... | \$102.00 |
| | (Quantity orders only on PN 7306978 in multiples of 5 only) (Compatible with Standard, Heavy and Severe Duty Frames) | |
| (SEVERE DUTY) | | |
| 7306981 | BRICK-GUARD EXTENSION..... | \$203.00 |
| | (Quantity orders only on PN 7306978 in multiples of 5 only) (Compatible with Severe Duty Frames Only) | |

DESTINATION CHARGE/FUEL SURCHARGE

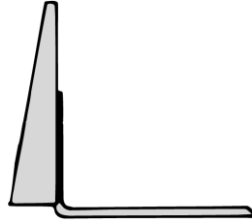
Refer to BobQuote or BobcatNET>>Other Resources>>Pricing Homepage for current Destination and Fuel Charges.

| | ASSEMBLY REQUIRED | INSTALLATION |
|-------------------|--------------------------|---------------------|
| ATTACHMENT | | TIME (HOURS) |

| | | |
|------------------------|-----------------------------|-----|
| Pallet Fork Frame..... | Install forks on frame..... | .25 |
| Brick-Guards | Install forks on frame..... | .10 |

PALLET FORKS, HYDRAULIC

BOBCAT LOADER ATTACHMENT



QUICK SPECS

48"
 Ship Weight (Frame & Forks)..... 565 lbs.
 Fork Width 4"

| PART NUMBER | ATTACHMENT DESCRIPTION | SLP IN US \$ |
|-------------|------------------------|--------------|
|-------------|------------------------|--------------|

(S130, S150, S160, S175, S185, S205) (S450, S510, S530, S550, S570, S590, S595, S630, S650, S740, S750, S770, S850) (A770) (T140, T180, T190) (T450, T550, T590, T595, T630, T650, T740, T750, T770, T870)

| | | |
|----------------|--|-------------------|
| 6905425 | 48" HYDRAULIC PALLET FORK (Includes back frame and 2 hydraulically adjustable 48" teeth) | \$3,014.00 |
|----------------|--|-------------------|

DESTINATION CHARGE/FUEL SURCHARGE

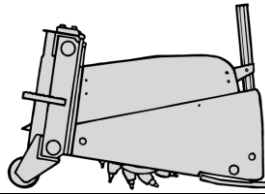
Refer to BobQuote or BobcatNET>>Other Resources>>Pricing Homepage for current Destination and Fuel Charges.

| ATTACHMENT | ASSEMBLY REQUIRED | INSTALLATION TIME (HOURS) |
|------------|-------------------|---------------------------|
|------------|-------------------|---------------------------|

| | | |
|----------------------------|-----------|---|
| Hydraulic Pallet Fork..... | None..... | - |
|----------------------------|-----------|---|

PLANER

BOBCAT LOADER ATTACHMENT



QUICK SPECS

| | <u>14"</u> | <u>18"</u> | <u>24"</u> | <u>40"</u> |
|---------------------------------|------------|------------|------------|------------|
| Operating Weight | 1107 lbs.* | 1191 lbs.* | 1254 lbs.* | 2300 lbs. |
| Drum Width..... | 14" | 18" | 24" | 40" |
| Cutting Depth-Flat Planing..... | 0 – 6" | 0 – 6" | 0 – 6" | 0 – 5" |
| Sideshift..... | 29.8" | 29.8" | 29.8" | 25.6" |
| # of Bits | * | * | * | 78 |
| Hydraulic Oscillation..... | N/A | N/A | N/A | ± 8° |
| Maximum Cutting Angle..... | ± 15° | ± 15° | ± 15° | ± 8° |

* Does not include drum, dependent upon which drum is installed.

| PART NUMBER | ATTACHMENT DESCRIPTION | SLP IN US \$ |
|-------------|------------------------|--------------|
|-------------|------------------------|--------------|

(S130, S150, S160, S175, S185, S205) (S450, S510, S530, S550, S570, S590, S595, S630, S650, S740, S750, S770) (A770) (T140, T180, T190) (T450, T550, T590, T595, T630, T650, T740H, T750, T770)

M7019 14" PLANER, STANDARD FLOW..... \$9,255.00
 (Includes manual depth adjust, hydraulic sideshift and hoses)
 (Must also order drum option) (Attachment Control Kit is not required)

MUST order one of the following drum options with the 14" Planer, Standard Flow

M7019-R01-C03 14" ALL PURPOSE DRUM \$2,593.00
 (With 46 bits) (Ship Weight 277 lbs.)

M7019-R01-C07 NO DRUM FACTORY INSTALLED \$0.00

| PART NUMBER | ATTACHMENT DESCRIPTION | SLP IN US \$ |
|-------------|------------------------|--------------|
|-------------|------------------------|--------------|

(S160H, S185H, S205H) (S550H, S570H, S590H, S595H, S630H, S650H, S740 H, S750H, S770H, S850H) (A770H) (T180H, T190H) (T550H, T590H, T595H, T630H, T650H, T740H, T750H, T770H, T870H)

M7018 18" PLANER, HIGH FLOW..... \$13,891.00
 (Includes hydraulic depth adjust, hydraulic sideshift, and hoses) (Must also order drum option)
 (Loader must be equipped with an Attachment Control Kit) (When used on loaders equipped with a 14-Pin Attachment Control Kit, a 14-Pin Attachment T-Harness Kit P/N 7164095 is required – See Page 1)

MUST order one of the following drum options with the 18" Planer, High Flow

M7018-R01-C10 18" FAST CUT ALL PURPOSE DRUM..... \$3,295.00
 (With 47 bits) (Ship Weight 288 lbs.)

M7018-R01-C11 18" SMOOTH CUT ALL PURPOSE DRUM \$4,208.00
 (With 84 bits) (Ship Weight 340 lbs.)

M7018-R01-C12 NO DRUM FACTORY INSTALLED \$0.00

PLANER

BOBCAT LOADER ATTACHMENT

| PART NUMBER | ATTACHMENT DESCRIPTION | SLP IN US \$ |
|-------------|------------------------|--------------|
|-------------|------------------------|--------------|

(S185H, S205H) (S550H, S570H, S590H, S595H, S630H, S650H, S740H, S750H, S770H, S850H)

(A770H)

(T180H, T190H) (T550H, T590H, T595H, T630H, T650H, T740H, T750H, T770H, T870H)

M7017 24" PLANER, HIGH FLOW..... \$16,823.00
 (Includes hydraulic depth adjust, hydraulic sideshift, and hoses) **(Must also order drum option)**
 (Loader must be equipped with an Attachment Control Kit) (When used on loaders equipped with a 14-Pin Attachment Control Kit, a 14-Pin Attachment T-Harness Kit P/N 7164095 is required – See Page 1)

MUST order one of the following drum options with the 24" Planer, High Flow

M7017-R01-C04 24" FAST CUT ALL PURPOSE DRUM..... \$4,467.00
 (With 57 bits) (Ship Weight 359 lbs.)

M7017-R01-C12 24" SMOOTH CUT ALL PURPOSE DRUM \$5,608.00
 (With 124 bits) (Ship Weight 453 lbs.)

M7017-R01-C13 NO DRUM FACTORY INSTALLED \$0.00

(S750H, S770H, S850H) (A770H) (T750H, T770H, T870H)

6726632 40" PLANER, HIGH FLOW..... \$28,021.00
 (Includes hydraulic depth adjust, 40" drum, hydraulic sideshift, hydraulic oscillation & hoses)
 (Loader must be equipped with an Attachment Control Kit) (When used on loaders equipped with a 14-Pin Attachment Control Kit, a 14-Pin Attachment T-Harness Kit is required – See Page 1)

· 963 loader requires a Case Drain P/N 6806348 and an Attachment Control Kit for use with 18" and 24" Planers
 · – see page I. Order Case Drain Kit from Bobcat Parts.

| PART NUMBER | DEALER INSTALLED ACCESSORIES – ORDER FROM SALES DESCRIPTION | SLP IN US \$ |
|-------------|---|--------------|
|-------------|---|--------------|

Water Kit

NOTE: Water Kits are available for use with the Planer attachments – see Water Kit page for details.

Dealer Installed Drums for 14" – 24" Planers

6905178 2 ½" SLOT CUTTING DRUM..... \$1,352.00
 (For use in 14", 18" and 24" Planers) (With 21 bits) (Weight 89 lbs.)

6958406 4" SLOT CUT DRUM \$1,500.00
 (For use in 14", 18" and 24" Planers) (With 24 bits)(Weight 111 lbs.)

6661408 6" ALL PURPOSE DRUM..... \$1,965.00
 (For use in 14", 18" and 24" Planers) (With 34 bits) (Weight 150 lbs.)

7165473 8" ALL PURPOSE DRUM..... \$1,965.00
 (For use in 14", 18" and 24" Planers) (With 34 bits) (Weight 161 lbs.)

7165485 12" ALL PURPOSE DRUM..... \$2,456.00
 (For use in 14", 18" and 24" Planers) (With 40 bits) (Weight 200 lbs.)

6905404 14" ALL PURPOSE DRUM..... \$2,593.00
 (For use in 14", 18" and 24" Planers) (With 46 bits) (Weight 257 lbs.)

6906320 16" SURFACE DRUM..... \$5,716.00
 (For use in 18" and 24" Planers) (With 184 bits) (Weight 265 lbs.)

7165503 16" FAST CUT ALL PURPOSE DRUM \$3,338.00
 (For use in 18" and 24" Planers) (With 47 bits) (Weight 249 lbs.)

7165502 16" SMOOTH CUT ALL PURPOSE DRUM..... \$4,071.00
 (For use in 18" and 24" Planers) (With 84 bits) (Weight 301 lbs.)

7165505 18" FAST CUT ALL PURPOSE DRUM \$3,295.00
 (For use in 18" and 24" Planers) (With 47 bits) (Weight 268 lbs.)

7165506 18" SMOOTH CUT ALL PURPOSE DRUM..... \$4,208.00
 (For use in 18" and 24" Planers) (With 84 bits) (Weight 320 lbs.)

6958266 24" FAST CUT ALL PURPOSE DRUM \$4,467.00
 (For use in 24" Planer) (With 57 bits) (Weight 339 lbs.)

7165544 24" SMOOTH CUT ALL PURPOSE DRUM..... \$5,608.00
 (For use in 24" Planer) (With 124 bits) (Weight 433 lbs.)

Prices and Specifications

Subject to Change Without Notice

Loader Attachments

All Prices in U.S. Dollars

North American Suggested List Prices

2019 Price Book

Check BobcatNET Pricing Homepage for current Canadian exchange rate.

Page 91 of 151

PLANER

BOBCAT LOADER ATTACHMENT

PART NUMBER DEALER INSTALLED ACCESSORIES – ORDER FROM PARTS DESCRIPTION

For current Dealer Installed Accessories pricing, reference BobQuote or Dealer Parts Department.

| | | |
|----------------|---|--|
| 7189709 | WEIGHT KIT PARTS \$ _____ (For use with 18" and 24" Planers) (Improves down force on the planer drum) (Includes (4) 50 pound counterweights that bolt to the planer) | |
| 7195012 | HYDRAULIC OSCILLATION KIT PARTS \$ _____ (For use with 18" and 24" Planers) (Provides finger-tip control of drum oscillation) (The free-floating oscillation feature of the planer is lost when this kit is installed) | |
| 6905975 | GUIDE ROD KIT, 14" PLANER PARTS \$ _____ (Allows a seam or line to be followed more precisely)(Ship Weight 15 lbs.) | |
| 6716451 | GUIDE ROD KIT, 18" PLANER PARTS \$ _____ (Allows a seam or line to be followed more precisely)(Ship Weight 15 lbs.) | |
| 6905199 | GUIDE ROD KIT, 24" PLANER PARTS \$ _____ (Allows a seam or line to be followed more precisely)(Ship Weight 16 lbs.) | |
| 6905612 | PLANER WHEEL KIT PARTS \$ _____ (For use with 14", 18" and 24" Planers) (May be installed in lieu of skis on planer attachment) (Ship Weight 46 lbs.) | |
| 6900637 | PLANER ATTACHMENT OPERATOR TRAINING KIT PARTS \$ _____ | |

DESTINATION CHARGE/FUEL SURCHARGE

Refer to BobQuote or BobcatNET>>Other Resources>>Pricing Homepage for current Destination and Fuel Charges.

| ATTACHMENT | ASSEMBLY REQUIRED | INSTALLATION TIME (HOURS) |
|------------|-------------------|---------------------------|
|------------|-------------------|---------------------------|

| | | |
|--------------------------------|----------------------------------|------------|
| Planer (Standard Flow) | None..... | - |
| Planer (High Flow) | None..... | - |
| Weight Kit | Install Bolt-on Weights | 1.0 |
| Hydraulic Oscillation Kit..... | Install Hydraulic Cylinder | 3.0 |
| Attachment Control Kit | | See Page 1 |

ROCK BUCKET

BOBCAT LOADER ATTACHMENT

QUICK SPECS

| | | | | |
|---|------------|------------|------------|------------|
| | <u>62"</u> | <u>68"</u> | <u>74"</u> | <u>82"</u> |
| Operating Weight | 558 lbs. | 605 lbs. | 652 lbs. | 700 lbs. |
| Overall Width | 61.9" | 68.6" | 75.4" | 82.1" |
| Overall Height | 20.8" | 20.8" | 20.8" | 20.8" |
| Overall Length (Bucket Lip or Bottom of Bucket) | 43.6" | 43.6" | 43.6" | 43.6" |
| Tine Spacing | 3" | 3" | 3" | 3" |
| Number of Tines | 17 | 19 | 21 | 23 |

| PART NUMBER | ATTACHMENT DESCRIPTION | SLP IN US \$ |
|-------------|------------------------|--------------|
|-------------|------------------------|--------------|

| | | |
|---|----------------------|------------|
| (S100, S130, S150, S160, S175, S185, S205) (S450, S510, S530, S550, S570, S590, S595, S630, S650) (T110, T140, T180, T190) (T450, T550, T590, T595, T630, T650) | | |
| 7185941 | 62" ROCK BUCKET..... | \$1,490.00 |
| (S130, S150, S160, S175, S185, S205) (S450, S510, S530, S550, S570, S590, S595, S630, S650, S740, S750, S770) (T140, T180, T190) (T450, T550, T590, T595, T630, T650) | | |
| 7185943 | 68" ROCK BUCKET..... | \$1,558.00 |
| (S630, S650, S740, S750, S770, S850) (A770) (T630, T650, T740, T750, T770, T870) | | |
| 7185945 | 74" ROCK BUCKET..... | \$1,627.00 |
| (S630, S650, S740, S750, S770, S850) (A770) (T630, T650, T740, T750, T770, T870) | | |
| 7185947 | 82" ROCK BUCKET..... | \$1,801.00 |

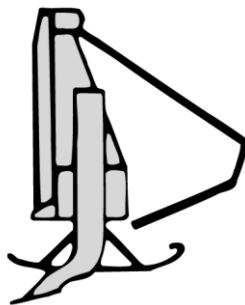
DESTINATION CHARGE/FUEL SURCHARGE

Refer to BobQuote or BobcatNET>>Other Resources>>Pricing Homepage for current Destination and Fuel Charges.

| ATTACHMENT | ASSEMBLY REQUIRED | INSTALLATION TIME (HOURS) |
|-------------------|-------------------|---------------------------|
| Rock Bucket | | 0.0 |

SCARIFIER

BOBCAT LOADER ATTACHMENT



QUICK SPECS

Ship Weight..... 350 lbs.
 # of Teeth 5 (7 without depth guides)
 Maximum Dig Depth Approx. 6"

| PART NUMBER | ATTACHMENT DESCRIPTION | SLP IN US \$ |
|--|---|--------------|
| (S130, S150, S160, S175, S185, S205) (S450, S510, S530, S550, S570, S590, S595, S630, S650, S740, S750, S770) (A770) (T110, T140, T180, T190) (T450, T550, T590, T595, T630, T650) | | |
| 6563526 | FRONT SCARIFIER..... (Includes 2 Depth Guides and 5 Teeth) | \$1,241.00 |

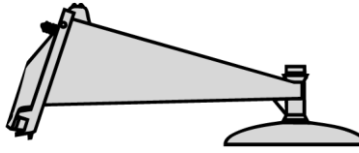
DESTINATION CHARGE/FUEL SURCHARGE

Refer to BobQuote or BobcatNET>>Other Resources>>Pricing Homepage for current Destination and Fuel Charges.

| ATTACHMENT | ASSEMBLY REQUIRED | INSTALLATION TIME (HOURS) |
|----------------------|--------------------|---------------------------|
| Front Scarifier..... | Install teeth..... | 0.5 |

SCRAPER

BOBCAT LOADER ATTACHMENT



QUICK SPECS

| <u>Scraper</u> | |
|------------------------|----------|
| Operating Weight | 172 lbs. |
| Height..... | 19" |
| Width..... | 45" |
| Length | 55" |
| Disk Diameter | 22" |

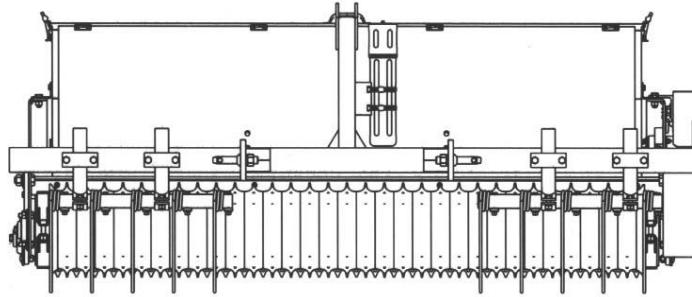
| PART NUMBER | ATTACHMENT DESCRIPTION | SLP IN US \$ |
|-------------|------------------------|--------------|
| 6675211 | SCRAPER | \$1,194.00 |

DESTINATION CHARGE/FUEL SURCHARGE
 Refer to BobQuote or BobcatNET>>Other Resources>>Pricing Homepage for current Destination and Fuel Charges.

| ATTACHMENT | ASSEMBLY REQUIRED | INSTALLATION TIME (HOURS) |
|----------------|-------------------|---------------------------|
| Scrapers | None..... | - |

SEEDER

BOBCAT LOADER ATTACHMENT



QUICK SPECS

| | |
|-----------------------|-------------|
| Weight (empty) | 1,300 lbs. |
| Weight (full)..... | 1,425 lbs. |
| Height..... | 44.0" |
| Overall Width..... | 88.0" |
| Working Width | 72.0" |
| Length | 43.0" |
| Hopper Capacity | 4.0 bushels |

| PART NUMBER | ATTACHMENT DESCRIPTION | SLP IN US \$ |
|-------------|------------------------|--------------|
|-------------|------------------------|--------------|

(S130, S150, S160, S175, S185, S205) (S450, S510, S530, S550, S570, S590, S595, S630, S650, S740, S750, S770, S850)

(A770) (T140, T180, T190) (T450, T550, T590, T595, T630, T650, T740, T750, T770, T870)

| | | |
|---------|------------------------------------|------------|
| 7167712 | SEEDER, 72", 3PT MOUNTING..... | \$7,096.00 |
| | (Must also order Bob-Tach adapter) | |

| PART NUMBER | FACTORY INSTALLED OPTIONS DESCRIPTION | SLP IN US \$ |
|-------------|---------------------------------------|--------------|
|-------------|---------------------------------------|--------------|

| | | |
|---------|--|----------|
| 7167758 | BOB-TACH ADAPTER | \$702.00 |
| | (Allows Seeder to mount on Bob-Tach equipped machines) | |

| PART NUMBER | DEALER INSTALLED ACCESSORIES – ORDER FROM SALES DESCRIPTION | SLP IN US \$ |
|-------------|---|--------------|
|-------------|---|--------------|

| | | |
|---------|--|----------|
| 7167759 | BOB-TACH ADAPTER | \$661.00 |
| | (Allows Seeder to mount on Bob-Tach equipped machines) | |

DESTINATION CHARGE/FUEL SURCHARGE

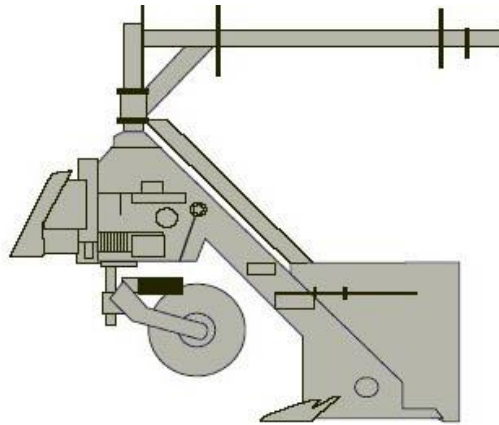
Refer to BobQuote or BobcatNET>>Other Resources>>Pricing Homepage for current Destination and Fuel Charges.

| ATTACHMENT | ASSEMBLY REQUIRED | INSTALLATION TIME (HOURS) |
|------------|-------------------|---------------------------|
|------------|-------------------|---------------------------|

| | | |
|-------------|-----------|---|
| Seeder..... | None..... | - |
|-------------|-----------|---|

SILT FENCE INSTALLER

BOBCAT LOADER ATTACHMENT



QUICK SPECS

| | <u>Rigid Frame</u> | <u>3-PT Rigid Frame</u> | <u>72" Side-Shift*</u> | <u>84" Side-Shift*</u> |
|---------------------|--------------------|-------------------------|------------------------|------------------------|
| Operating Weight... | 775 lbs. | 985 lbs | 1120 lbs. | 1165 lbs. |
| Height..... | 70" | 70" | 70" | 70" |
| Width..... | 45.5" | 45.5" | 72" | 84" |
| Length | 72.8" | 86.7" | 98" | 98" |

**weight includes 3-Point to Loader adapter*

| PART NUMBER | ATTACHMENT DESCRIPTION | SLP IN US \$ |
|-------------|------------------------|--------------|
|-------------|------------------------|--------------|

(S630, S650, S740, S750, S770, S850) (A770) (T180, T190) (T550, T590, T595, T630, T650, T740, T750, T770, T870)

| | | |
|----------------|---|-------------------|
| 7137320 | SILT FENCE INSTALLER..... (Must also order mounting frame) | \$5,006.00 |
|----------------|---|-------------------|

| PART NUMBER | FACTORY INSTALLED OPTIONS DESCRIPTION | SLP IN US \$ |
|-------------|---------------------------------------|--------------|
|-------------|---------------------------------------|--------------|

| | | |
|----------------|--|-------------------|
| 7137333 | LOADER RIGID MOUNTING FRAME | \$1,225.00 |
| 7139171 | 3-POINT RIGID MOUNTING FRAME | \$1,205.00 |
| | (Must also order Adapter p/n 7137334) | |
| 7137332 | 3-POINT MOUNTING FRAME, 72" SIDE-SHIFT | \$2,397.00 |
| | (Must also order Adapter p/n 7137334) | |
| 7137331 | 3-POINT MOUNTING FRAME, 84" SIDE-SHIFT | \$2,592.00 |
| | (Must also order Adapter p/n 7137334) | |

| PART NUMBER | DEALER INSTALLED ACCESSORIES – ORDER FROM SALES DESCRIPTION | SLP IN US \$ |
|-------------|---|--------------|
|-------------|---|--------------|

| | | |
|----------------|---|-----------------|
| 7137334 | ADAPTER, 3-POINT TO LOADER | \$687.00 |
| 7137759 | HYDRAULIC TOP LINK..... | \$333.00 |
| | (Recommended for use on tractor with 3-point) | |

SILT FENCE INSTALLER

BOBCAT LOADER ATTACHMENT

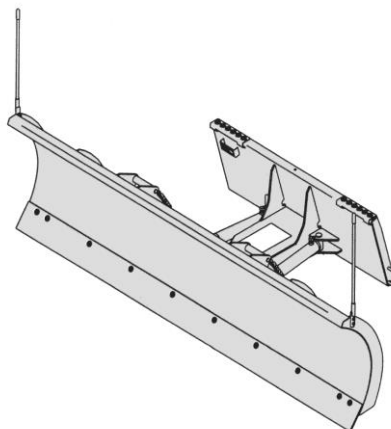
DESTINATION CHARGE/FUEL SURCHARGE
 Refer to BobQuote or BobcatNET>>Other Resources>>Pricing Homepage for current Destination and Fuel Charges.

| ATTACHMENT | ASSEMBLY REQUIRED | INSTALLATION TIME (HOURS) |
|------------|-------------------|---------------------------|
|------------|-------------------|---------------------------|

| | | |
|----------------------------|-----------|---|
| Silt Fence Installer | None..... | - |
| Mounting Frame | None..... | - |
| Adapter | None..... | - |

SNOW BLADE

BOBCAT LOADER ATTACHMENT



QUICK SPECS

| | <u>54"</u> | <u>60"</u> | <u>72"</u> | <u>84"</u> | <u>96"</u> |
|------------------------------|---------------|---------------|----------------|------------|------------|
| Operating Weight | 310 lbs. | 580 lbs. | 590 lbs. | 620 lbs. | 660 lbs. |
| Width | 54" | 60" | 72" | 84" | 96" |
| Height | 21.9" | 28" | 28" | 28" | 28" |
| Working Width (Fully Angled) | 46.8" | 52" | 63" | 73" | 83" |
| Steel Cutting Edge | .38" x 4" | .375" x 6" | .375" x 6" | .375" x 6" | .375" x 6" |
| Cylinders..... | 1 | 2 | 2 | 2 | 2 |
| Trip Springs | 2 | 4 | 4 | 4 | 4 |
| Optional Rubber Cutting Edge | 1" x 5" | 1" x 6" | 1" x 6" | 1" x 6" | 1" x 6" |
| | | | | | |
| | <u>86" HD</u> | <u>96" HD</u> | <u>108" HD</u> | | |
| Operating Weight | 809 lbs. | 867 lbs. | 948 lbs. | | |
| Width | 86" | 96" | 108" | | |
| Height | 28.4" | 28.4" | 28.4" | | |
| Working Width (Fully Angled) | 75" | 83" | 93" | | |
| Steel Cutting Edge | .5" x 6" | .5" x 6" | .5" x 6" | | |
| Cylinders..... | 1 | 1 | 1 | | |
| Trip Springs | 4 | 4 | 6 | | |
| Optional Rubber Cutting Edge | 1" x 6" | 1" x 6" | 1" x 6" | | |

SNOW BLADE

BOBCAT LOADER ATTACHMENT

| PART NUMBER | ATTACHMENT DESCRIPTION | SLP IN US \$ |
|---|--|--------------|
| (MT50, MT52, MT55, MT85) (S70) | | |
| 7196165 | 54" UTILITY BLADE (WITH HYDRAULIC ANGLE) (To be used as either a Snow Blade or a Dozer Blade) | \$1,753.00 |
| (S100, S130, S150, S160) (T110) (S450, S510, S530, S550, S570, S590, S595) (T450) | | |
| 6906107 | 60" SNOW BLADE (WITH HYDRAULIC ANGLE) | \$2,260.00 |
| (S100, S130, S150, S160, S175, S185, S205) (S450, S510, S530, S550, S570, S590, S595, S630, S650) (T110) (T450) | | |
| 6905156 | 72" SNOW BLADE (WITH HYDRAULIC ANGLE) | \$2,365.00 |
| (S130, S150, S160, S175, S185, S205) (S450, S510, S530, S550, S570, S590, S595, S630, S650, S740, S750, S770) (A770) (T450) | | |
| 6716836 | 84" SNOW BLADE (WITH HYDRAULIC ANGLE) | \$2,524.00 |
| (S530, S550, S570, S590, S595, S630, S650, S740, S750, S770) (A770) (T450) | | |
| 6716838 | 96" SNOW BLADE (WITH HYDRAULIC ANGLE) | \$2,735.00 |
| (S130, S150, S160, S175, S185, S205) (S450, S510, S530, S550, S570, S590, S595, S630, S650, S740, S750, S770) (A770) (T140, T180, T190) (T450, T550, T590, T595, T630, T650) | | |
| 7207861 | 86" SNOW BLADE – HEAVY DUTY (WITH HYDRAULIC ANGLE)..... | \$3,923.00 |
| (S130, S150, S160, S175, S185, S205) (S530, S550, S570, S590, S595, S630, S650, S740, S750, S770) (A770) (T140, T180, T190) (T450, T550, T590, T595, T630, T650, T740, T750, T770) | | |
| 7207862 | 96" SNOW BLADE – HEAVY DUTY (WITH HYDRAULIC ANGLE)..... | \$4,156.00 |
| (S150, S160, S175, S185, S205) (S630, S650, S740, S750, S770, S850) (A770) (T180, T190) (T630, T650, T740, T750, T770, T870) | | |
| 7207863 | 108" SNOW BLADE – HEAVY DUTY (WITH HYDRAULIC ANGLE)..... | \$4,447.00 |

| PART NUMBER | DEALER INSTALLED ACCESSORIES – ORDER FROM SALES DESCRIPTION | SLP IN US \$ |
|-------------|---|--------------|
|-------------|---|--------------|

| | | |
|---------|---|----------|
| 6716834 | END WING KIT (Converts 84" & 96" Snow Blades in to Snow Pushers) (Not for use on 60" or 72" Snow Blades) (Not for use on Heavy Duty Snow Blades) (Ship Weight 95 lbs.) | \$407.00 |
|---------|---|----------|

| PART NUMBER | DEALER INSTALLED ACCESSORIES – ORDER FROM PARTS DESCRIPTION |
|-------------|---|
|-------------|---|

For current Dealer Installed Accessories pricing, reference BobQuote or Dealer Parts Department.

| | | |
|---------|------------------------------------|----------------|
| 7199966 | RUBBER WEAR EDGE KIT, 54" | PARTS \$ _____ |
| 6906117 | RUBBER WEAR EDGE KIT, 60" | PARTS \$ _____ |
| 6905158 | RUBBER WEAR EDGE KIT, 72" | PARTS \$ _____ |
| 6905400 | RUBBER WEAR EDGE KIT, 84" | PARTS \$ _____ |
| 6905401 | RUBBER WEAR EDGE KIT, 96" | PARTS \$ _____ |
| 7169614 | RUBBER WEAR EDGE KIT, 86" HD..... | PARTS \$ _____ |
| 7169615 | RUBBER WEAR EDGE KIT, 96" HD..... | PARTS \$ _____ |
| 7169616 | RUBBER WEAR EDGE KIT, 108" HD..... | PARTS \$ _____ |

SNOW BLADE

BOBCAT LOADER ATTACHMENT

PART NUMBER DEALER INSTALLED ACCESSORIES – ORDER FROM PARTS DESCRIPTION

For current Dealer Installed Accessories pricing, reference BobQuote or Dealer Parts Department.

| | | | |
|---------|---|-------|----------|
| 7195435 | REPLACEMENT CUTTING EDGE, 54" ♦ | PARTS | \$ _____ |
| 6905995 | REPLACEMENT CUTTING EDGE, 60" ♦ | PARTS | \$ _____ |
| 6905155 | REPLACEMENT CUTTING EDGE, 72" ♦ | PARTS | \$ _____ |
| 6673634 | REPLACEMENT CUTTING EDGE, 84" ♦ | PARTS | \$ _____ |
| 6673606 | REPLACEMENT CUTTING EDGE, 96" ♦ | PARTS | \$ _____ |
| 7135661 | REPLACEMENT CUTTING EDGE, 86" HD ♦ | PARTS | \$ _____ |
| 7161165 | REPLACEMENT CUTTING EDGE, 96" HD ♦ | PARTS | \$ _____ |
| 7160646 | REPLACEMENT CUTTING EDGE, 108" HD ♦ | PARTS | \$ _____ |
| 7199969 | POLY WEAR EDGE KIT, 54" | PARTS | \$ _____ |
| 7169616 | POLY WEAR EDGE KIT, 86" HD | PARTS | \$ _____ |
| 7169617 | POLY WEAR EDGE KIT, 96" HD | PARTS | \$ _____ |
| 7169618 | POLY WEAR EDGE KIT, 108" HD | PARTS | \$ _____ |

- ♦ Additional hardware for replacement cutting edges is needed.
- * Certain applications may cause premature wear of the Rubber Wear Edge.

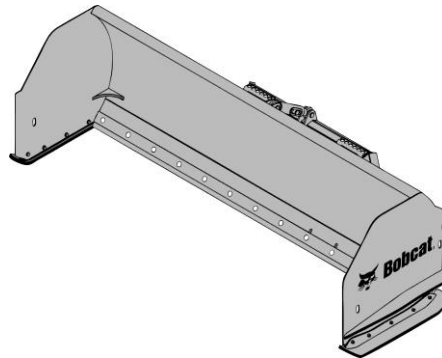
DESTINATION CHARGE/FUEL SURCHARGE

Refer to BobQuote or BobcatNET>>Other Resources>>Pricing Homepage for current Destination and Fuel Charges.

| ATTACHMENT | ASSEMBLY REQUIRED | INSTALLATION TIME (HOURS) |
|-------------------------------------|--|---------------------------|
| Utility Blade..... | Adjust shoes & install blade edge indicators | .25 |
| Snow Blade | Adjust shoes & install blade edge indicators | .25 |
| End Wing Kit | Install wings | .25 |
| Replacement Cutting Edge Kits | Bolt on edge..... | 0.50 |

SNOW PUSHER

BOBCAT LOADER ATTACHMENT



QUICK SPECS

| | <u>8 Foot</u> | <u>10 Foot</u> |
|------------------------|------------------|------------------|
| Operating Weight | 1122 lbs. | 1256 lbs. |
| Overall Width | 102" | 128" |
| Working Width | 94.6" | 121" |
| Length | 56.2" | 56.2" |
| Height | 37.8" | 37.8" |
| Cutting Edge | 1.5" x 8" Rubber | 1.5" x 8" Rubber |
| Skid Shoes | .75" x 5" AR400 | .75" x 5" AR400 |
| Color | Orange | Orange |
| <u>Float</u> | | |
| Vertical | 2.3" | 2.3" |
| Tilt | 12 degrees | 12 degrees |
| Oscillation..... | +/- 4.5 degrees | +/- 4.5 degrees |

| PART NUMBER | ATTACHMENT DESCRIPTION | SLP IN US \$ |
|--|-------------------------------|---------------------|
| (S130, S150, S160, S175, S185, S205) (S450, S510, S530, S550, S570, S590, S595, S630, S650, S740, S750, S770, S850) (A770) (T140, T180, T190) (T450, T550, T590, T595, T630, T650, T740, T750, T770, T870) | | |
| 7113767 | SNOW PUSHER, 8' | \$3,269.00 |
| (S205) (S550, S570, S590, S595, S630, S650, S740, S750, S770, S850) (A770) (T180, T190) (T550, T590, T595, T630, T650, T740, T750, T770, T870) | | |
| 7116164 | SNOW PUSHER, 10' | \$3,596.00 |

DESTINATION CHARGE/FUEL SURCHARGE

Refer to BobQuote or BobcatNET>>Other Resources>>Pricing Homepage for current Destination and Fuel Charges.

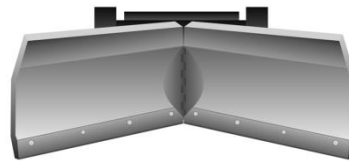
| ATTACHMENT | ASSEMBLY REQUIRED | INSTALLATION TIME (HOURS) |
|-------------------|--------------------------|----------------------------------|
| Snow Pusher | None..... | - |

SNOW V-BLADE

BOBCAT LOADER ATTACHMENT



Blade in "V" Configuration



Blade in "Scoop" Configuration



Blade in "Angled" Configuration

QUICK SPECS

| | <u>60"</u> | <u>72"</u> | <u>84"</u> | <u>96"</u> | <u>108"</u> |
|--|------------|------------|------------|------------|-------------|
| Operating Weight | 660 lbs. | 738 lbs. | 779 lbs. | 824 lbs. | 868 lbs. |
| Operating Weight with Oscillating kit | N/A | 972 lbs. | 1013 lbs. | 1058 lbs. | 1102 lbs. |
| Width: | | | | | |
| V-Configuration | 54" | 64.5" | 75" | 85.5" | 96" |
| Scoop-Configuration | 53" | 63" | 74" | 84" | 95" |
| 30° Angle-Configuration | 54" | 64" | 75" | 85" | 95" |
| Straight-Configuration | 62" | 74" | 86" | 98" | 110" |
| Height with Blade Extension | 28.5" | 32.8" | 32.8" | 32.8" | 32.8" |
| Length | 40" | 47.3" | 47.3" | 47.3" | 47.3" |
| Oscillation (with flotation kit) ... | N/A | +/- 10 | +/- 10 | +/- 10 | +/- 10 |

| PART | | ATTACHMENT | SLP IN US \$ |
|--------|-------------|------------|--------------|
| NUMBER | DESCRIPTION | | |

(S70, S100) (S130, S150, S160, S175, S185, S205) (S450, S510, S530, S550, S570, S590, S595)
(T110, T140) (T450)

7104861 60" SNOW V-BLADE, 7-PIN..... \$4,172.00
 (Loader must be equipped with an Attachment Control Kit – see Page 1)
 (When used on loaders equipped with a 14-Pin Attachment Control Kit a 14-Pin Attachment T-Harness Kit (P/N 6725383) is required – See Page 1)
 (Blade is equipped with fingertip 7-Pin Control. Adjustable blade width from 53-60 inches.)

(S130, S150, S160, S175, S185, S205) (S450, S510, S530, S550, S570, S590, S595)
(T140, T180, T190) (T450, T550, T590, T595)

6958576 72" SNOW V-BLADE..... \$4,383.00
 (Loader must be equipped with an Attachment Control Kit) (When used on loaders equipped with a 14-Pin Attachment Control Kit a 14-Pin Attachment T-Harness Kit (P/N 6725383) is required – See Page 1)

(S130, S150, S160, S175, S185, S205) (S450, S510, S530, S550, S570, S590, S595, S630, S650, S740, S750, S770) (A770) (T140, T180, T190) (T450, T550, T590, T595, T630, T650, T740, T750, T770)

6958577 84" SNOW V-BLADE..... \$4,594.00
 (Loader must be equipped with an Attachment Control Kit) (When used on loaders equipped with a 14-Pin Attachment Control Kit a 14-Pin Attachment T-Harness Kit (P/N 6725383) is required – See Page 1)

(S175, S185, S205) (S530, S550, S570, S590, S595, S630, S650, S740, S750, S770) (A770) (T180, T190) (T550, T590, T595, T630, T650, T740, T750, T770)

6958578 96" SNOW V-BLADE..... \$4,805.00
 (Loader must be equipped with an Attachment Control Kit) (When used on loaders equipped with a 14-Pin Attachment Control Kit a 14-Pin Attachment T-Harness Kit (P/N 6725383) is required – See Page 1)

SNOW V-BLADE

BOBCAT LOADER ATTACHMENT

| PART NUMBER | ATTACHMENT DESCRIPTION | SLP IN US \$ |
|-------------|------------------------|--------------|
|-------------|------------------------|--------------|

(S630, S650, S740, S750, S770) (A770) (T630, T650, T740, T750, T770)

| | | |
|---------|--|-------------------|
| 6958579 | 108" SNOW V-BLADE (Loader must be equipped with an Attachment Control Kit) (When used on loaders equipped with a 14-Pin Attachment Control Kit a 14-Pin Attachment T-Harness Kit (P/N 6725383) is required – See Page 1) | \$5,016.00 |
|---------|--|-------------------|

| DEALER INSTALLED ACCESSORIES – ORDER FROM SALES | | |
|---|-------------|--------------|
| PART NUMBER | DESCRIPTION | SLP IN US \$ |

| | | |
|---------|---|-----------------|
| 7102603 | BLADE FLOTATION KIT (Allows blade to oscillate +/- 10 degrees, includes pin to lock in place at 0 degrees) (Approved for use with 72", 84", 96" and 108" Snow V-Blades) (The frame flotation mounts between the existing frame and blade and will extend the overall blade length eight-inches from the Bob-Tach.) (Shipping weight 254 lbs.) (Estimated install time 1.5 hrs) | \$765.00 |
|---------|---|-----------------|

| DEALER INSTALLED ACCESSORIES – ORDER FROM PARTS | | |
|---|-------------|--|
| PART NUMBER | DESCRIPTION | |

For current Dealer Installed Accessories pricing, reference BobQuote or Dealer Parts Department.

| | | |
|---------|--|----------------|
| 6958664 | 60" RUBBER CUTTING EDGE KIT (Includes hardware) | PARTS \$ _____ |
| 6958665 | 72" RUBBER CUTTING EDGE KIT (Includes hardware) | PARTS \$ _____ |
| 6958666 | 84" RUBBER CUTTING EDGE KIT (Includes hardware) | PARTS \$ _____ |
| 6958667 | 96" RUBBER CUTTING EDGE KIT (Includes hardware) | PARTS \$ _____ |
| 6958668 | 108" RUBBER CUTTING EDGE KIT (Includes hardware) | PARTS \$ _____ |

DESTINATION CHARGE/FUEL SURCHARGE

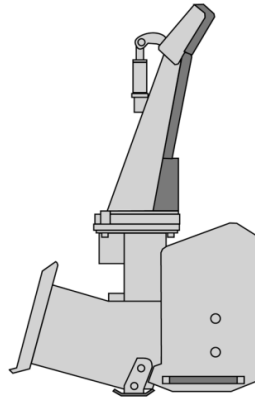
Refer to BobQuote or BobcatNET>>Other Resources>>Pricing Homepage for current Destination and Fuel Charges.

| ATTACHMENT | ASSEMBLY REQUIRED | INSTALLATION TIME (HOURS) |
|------------|-------------------|---------------------------|
|------------|-------------------|---------------------------|

| | | |
|--|------------------------------|----------|
| Snow V-Blade..... | None..... | - |
| Flotation Kit (dealer installed) | Install oscillating kit..... | 1.5 hrs. |

SNOWBLOWER

BOBCAT LOADER ATTACHMENT



QUICK SPECS

| | <u>SB150 x 36</u> | <u>SB150 x 48</u> | <u>SB200 x 60</u> | <u>SB200 x 66</u> | <u>SB200 x 72</u> |
|-----------------------|--------------------------|--------------------------|--------------------------|---------------------------|---------------------------|
| Chute Control | Hydraulic 276° | Hydraulic 276° | Hydraulic 270° | Hydraulic 270° | Hydraulic 270° |
| Deflector Control.... | Hydraulic | Hydraulic | Hydraulic | Hydraulic | Hydraulic |
| Throw Distance..... | Up to 25 ft. | Up to 25 ft. | Up to 40 ft. | Up to 40 ft. | Up to 40 ft. |
| Flow Required | 8.5 - 14 gpm | 8.5 - 14 gpm | 14.5 - 31 gpm | 14.5 - 31 gpm | 14.5 - 31 gpm |
| Fan Diameter | 15" | 15" | 20" | 20" | 20" |
| Auger Diameter | 14" | 14" | 14" | 14" | 14" |
| Cutting Width | 36" | 48" | 60" | 66" | 72" |
| Overall Width | 39.4" | 51.4" | 62.5" | 68.5" | 74.5" |
| Intake Height | 23" | 23" | 25" | 25" | 25" |
| Operating Weight ... | 428 lbs. | 465 lbs. | 785 lbs. | 810 lbs. | 835 lbs. |
| | <u>SB200 x 78</u> | <u>SB240 x 72</u> | <u>SB240 x 84</u> | <u>SBX240 x 72</u> | <u>SBX240 x 84</u> |
| Chute Control | Hydraulic 270° | Hydraulic 270° | Hydraulic 270° | Hydraulic 270° | Hydraulic 270° |
| Deflector Control.... | Hydraulic | Hydraulic | Hydraulic | Hydraulic | Hydraulic |
| Throw Distance..... | Up to 40 ft. | Up to 40 ft. | Up to 40 ft. | Up to 45 ft. | Up to 45 ft. |
| Flow Required | 16.5 - 31 gpm | 21 - 31 gpm | 25 - 31 gpm | 35 - 42 gpm | 35 - 42 gpm |
| Fan Diameter | 20" | 24" | 24" | 24" | 24" |
| Auger Diameter | 14" | 18" | 18" | 18.5" | 18.5" |
| Cutting Width | 78" | 72" | 84" | 72" | 84" |
| Overall Width | 80.5" | 74.5" | 86.5" | 74.5" | 86.5" |
| Intake Height | 25" | 34.5" | 34.5" | 33.5" | 33.5" |
| Operating Weight ... | 860 lbs. | 1010 lbs. | 1070 lbs. | 1045 lbs. | 1105 lbs. |

HYDRAULIC MOTOR PACKAGES HYDRAULIC FLOW RANGE

Must order a Hydraulic Motor Package with the SB200 & SB240 Snowblower Models
For current loaders only – match hydraulic flow of older loaders with snowblower flow recommendations

| | |
|-----------------------------------|---------------|
| 5.5 Hydraulic Motor Package | 14.5 – 18 gpm |
| 6.2 Hydraulic Motor Package | 16.5 – 21 gpm |
| 8.0 Hydraulic Motor Package | 21 – 26 gpm |
| 9.6 Hydraulic Motor Package | 25 – 31 gpm |

SNOWBLOWER

BOBCAT LOADER ATTACHMENT

| PART NUMBER | DESCRIPTION | SLP IN US \$ |
|-------------|-------------|--------------|
|-------------|-------------|--------------|

(MT52, MT55, MT85) (S70)

| | | |
|-------|--|------------|
| M7007 | SB150 x 36" | \$4,625.00 |
| | (Loader must be equipped with a Bobcat 14-Pin Attachment Control Kit) (Snowblower includes hydraulic motor package) | |

(MT52, MT55, MT85) (S70, S100) (T110)

| | | |
|-------|--|------------|
| M7008 | SB150 x 48" | \$4,780.00 |
| | (Loader must be equipped with a Bobcat 14-Pin Attachment Control Kit) (Snowblower includes hydraulic motor package) | |

| PART NUMBER | DESCRIPTION | SLP IN US \$ |
|-------------|-------------|--------------|
|-------------|-------------|--------------|

Preferred Hydraulic Motor Package (BOLD)

Must order a hydraulic motor package with the SB200 & SB240 Snowblowers

Loader must be equipped with a 7-pin Attachment Control Kit

(S130, S150*, S160*, S160H*, S175*, S185*, S185H*, S205*, S205H*)(S450*, S510*, S530*, S550*, S550H*, S570*, S570H*, S590*, S590H*, S595*, S595H*)(T180, T190, T450)

| | | |
|-------|------------------------------|------------|
| M7001 | SB200 x 60" Snowblower | \$4,692.00 |
|-------|------------------------------|------------|

| | | |
|---------------|---|------------|
| M7001-R01-C01 | 5.5 Hydraulic Motor Package | \$1,125.00 |
| | (S130, S150*, S160*, S175*, S185*, S205*, S450, S510*, S530*, S550*, S570*, S590*, S595*)(T180, T190, T450) | |

| | | |
|---------------|--|------------|
| M7001-R01-C02 | 6.2 Hydraulic Motor Package..... | \$1,125.00 |
| | (S130, S150*, S160*, S175*, S185*, S205*, S450, S510*, S530*, S550*, S570*, S590* S595*)(T180, T190, T450) | |

| | | |
|---------------|--------------------------------------|------------|
| M7001-R01-C03 | 8.0 Hydraulic Motor Package | \$1,189.00 |
| | (S630, S650, S740, S750, S770, A770) | |

| | | |
|---------------|--|------------|
| M7001-R01-C04 | 9.6 Hydraulic Motor Package | \$1,257.00 |
| | (S160H*, S185H*, S205H*, S550H*, S570H*, S590H*, S595H*) | |

(S130, S150, S160, S160H, S175, S185, S185H, S205, S205H, S250, S300)

(S450, S510, S530, S550, S550H, S570, S570H, S590, S590H, S595, S595H, S630*, S630H*, S650*, S650H*, S740*, S750*, S770*) (T180, T180H, T190, T190H) (T450, T550, T550H, T590, T590H, T595, T595H)

| | | |
|-------|------------------------------|------------|
| M7002 | SB200 x 66" Snowblower | \$4,839.00 |
|-------|------------------------------|------------|

| | | |
|---------------|---|------------|
| M7002-R01-C01 | 5.5 Hydraulic Motor Package | \$1,125.00 |
| | (S130, S150, S160, S175, S185, S205, S450, S510, S530, S550, S570, S590, S595) (T180, T190, T450, T590, T595) | |

| | | |
|---------------|---|------------|
| M7002-R01-C02 | 6.2 Hydraulic Motor Package | \$1,125.00 |
| | (S130, S150, S160, S175, S185, S205, S250, S300, S450, S510, S530, S550, S570, S590, S595) (T180, T190, T450, T550, T590, T595) | |

| | | |
|---------------|--------------------------------------|------------|
| M7002-R01-C03 | 8.0 Hydraulic Motor Package | \$1,189.00 |
| | (S630, S650, S740, S750, S770, A770) | |

| | | |
|---------------|--|------------|
| M7002-R01-C04 | 9.6 Hydraulic Motor Package | \$1,257.00 |
| | (S160H, S185H, S205H, S550H, S570H, S590H, S595H, S630H*, S650H*) (T180H, T190H, T550H, T590H, T595H) | |

***Offset rims required**

SNOWBLOWER

BOBCAT LOADER ATTACHMENT

| PART NUMBER | SB200 SNOWBLOWER | SLP IN US \$ |
|-------------|------------------|--------------|
|-------------|------------------|--------------|

Preferred Hydraulic Motor Package (BOLD)
Must order a hydraulic motor package with the SB200 Snowblowers
Loader must be equipped with a 7-pin Attachment Control Kit

(S130, S150, S160, S160H, S175, S185, S185H, S205, S205H, S250, S300, S330) (S450, S510, S530, S550, S550H, S570, S570H, S590, S590H, S595, S595H, S630, S630H, S650, S650H, S740, S750, S770) (A300, A770) (T180, T180H, T190, T190H) (T450, T550, T550H, T590, T590H, T595, T595H, T630*, T630H*, T650*, T650H*, T740*, T740H*, T750*, T770*)

| | | |
|---------------|---|-------------------|
| M7003 | SB200 x 72" Snowblower | \$4,998.00 |
| M7003-R01-C01 | 5.5 Hydraulic Motor Package (S130, S150, S160, S175, S185, S205, S450, S510, S530, S550, S570, S590, S595) (T180, T190, T450, T590, T595) | \$1,125.00 |
| M7003-R01-C02 | 6.2 Hydraulic Motor Package (S130, S150, S160, S175, S185, S205, S250, S300, S330, S450, S510, S530, S550, S570, S590, S595)(A300)(T180, T190, T450, T550, T590, T595) | \$1,125.00 |
| M7003-R01-C03 | 8.0 Hydraulic Motor Package (S630, S650, S740, S750, S770) (A770) (T630*, T650*, T740*, T750*, T770*) | \$1,189.00 |
| M7003-R01-C04 | 9.6 Hydraulic Motor Package (S160H, S185H, S205H, S550H, S570H, S590H, S595H, S630H, S650H) (T180H, T190H, T550H, T590H, T595H, T630H*, T650H*, T740H*) | \$1,257.00 |

(S160H, S185H, S205H, S250, S300, S330) (S510, S530, S550, S550H, S570, S570H, S590, S590H, S595, S595H, S630, S630H, S650, S650H, S740, S750, S770, S850) (A300, A770) (T180H, T190H) (T300, T320, T550, T550H, T590, T590H, T595, T595H, T630, T630H, T650, T650H, T740, T740H, T750, T770)

| | | |
|---------------|---|-------------------|
| M7004 | SB200 x 78" Snowblower | \$5,299.00 |
| M7004-R01-C02 | 6.2 Hydraulic Motor Package (S250, S300, S330, S510, S530, S550, S570, S590, S595) (T300, T320, T550, T590, T595) | \$1,125.00 |
| M7004-R01-C03 | 8.0 Hydraulic Motor Package (S630, S650, S740, S750, S770, S850) (A770) (T300, T320, T630, T650, T740, T750, T770) | \$1,189.00 |
| M7004-R01-C04 | 9.6 Hydraulic Motor Package (S160H, S185H, S205H, S550H, S570H, S590H, S595H, S630H, S650H, S740, S750, S770, S850) (T180H, T190H, T550H, T590H, T595H, T630H, T650H, T740H, T770) | \$1,257.00 |

*** Narrow Track Required**

SNOWBLOWER

BOBCAT LOADER ATTACHMENT

| PART NUMBER | SB240 SNOWBLOWER | SLP IN US \$ |
|-------------|------------------|--------------|
|-------------|------------------|--------------|

Preferred Hydraulic Motor Package (BOLD)
Must order a hydraulic motor package with the SB240 Snowblowers
Loader must be equipped with a 7-pin Attachment Control Kit

(S160H, S185H, S205H) (S550H, S570H, S590H, S595H, S630H, S650H, S740, S750, S770) (A770)
 (T180H, T190H) (T590H, T595H, T630H*, T650H*, T740, T740H, T750*, T770*)

| | | |
|---|---|------------|
| M7005 | SB240 x 72" Snowblower | \$6,472.00 |
| M7005-R01-C03 | 8.0 Hydraulic Motor Package (S740, S750, S770) (A770) (T740, T750*, T770*) | \$1,189.00 |
| M7005-R01-C04 | 9.6 Hydraulic Motor Package (S160H, S185H, S205H, S550H, S570H, S590H, S595H, S630H, S650H) (T180H, T190H, T590H, T595H, T630H*, T650H*, T740H) | \$1,257.00 |
| | | |
| (S630H, S650H) (T180H, T190H) (T630H, T650H, T740H, T870) | | |
| M7006 | SB240 x 84" Snowblower | \$6,601.00 |
| M7006-R01-C03 | 8.0 Hydraulic Motor Package (S740, S750, S770) (A770) (T740, T750*, T770*) | \$1,189.00 |
| M7006-R01-C04 | 9.6 Hydraulic Motor Package (S630H, S650H) (T180H, T190H, T630H, T650H, T740H, T870) | \$1,257.00 |

| PART NUMBER | SBX240 SNOWBLOWER | SLP IN US \$ |
|-------------|-------------------|--------------|
|-------------|-------------------|--------------|

Approved for use with loaders equipped with 37 GPM high flow only

(S250H, S300H, S330H, S750H, S770H) (A300H, A770H) (T300H, T320H, T750H*, T770H*)

| | | |
|---|---|------------|
| M7009 | SBX240 x 72" (Approved for use with loaders equipped with high flow: S220 s/n 526214400 & above; S250 s/n 5260167000 & above; S300 s/n 525815600 & above; T250 s/n 525613400 & above T300 s/n 525414500 & above; A300 s/n 526412200 & above) (Snowblower includes hydraulic motor package) | \$8,268.00 |
| | | |
| (S250H, S300H, S330H, S750H, S770H, S850H)(A300H, A770H)(T300H, T320H, T750H, T770H, T870H) | | |
| M7010 | SBX240 x 84" (Approved for use with loaders equipped with high flow: S220 s/n 526214400 & above; S250 s/n 5260167000 & above; S300 s/n 525815600 & above; T250 s/n 525613400 & above; T300 s/n 525414500 & above; A300 s/n 526412200 & above) (Snowblower includes hydraulic motor package) | \$8,422.00 |

| PART NUMBER | DEALER INSTALLED ACCESSORIES – ORDER FROM SALES | SLP IN US \$ |
|-------------|---|--------------|
|-------------|---|--------------|

| | | |
|---------|---|------------|
| 6958978 | TRUCK LOADING CHUTE (For SB240 and SBX240 Snowblowers, will not fit SB200) (For use with high flow loaders only) (Includes deflector control, support mount and hoses) (Ship weight 170 lbs., chute weight 145 lbs.) (Estimated installation time 2.5 hours) | \$1,622.00 |
|---------|---|------------|

DESTINATION CHARGE/FUEL SURCHARGE
 Refer to BobQuote or BobcatNET>>Other Resources>>Pricing Homepage for current Destination and Fuel Charges.

| ATTACHMENT | ASSEMBLY REQUIRED | INSTALLATION TIME (HOURS) |
|------------|-------------------|---------------------------|
|------------|-------------------|---------------------------|

Snowblower Install Chute 0.5

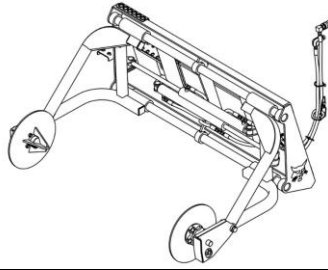
| | | |
|--|--|---|
| Prices and Specifications Subject to Change Without Notice | Loader Attachments All Prices in U.S. Dollars | North American Suggested List Prices 2019 Price Book |
| Check BobcatNET Pricing Homepage for current Canadian exchange rate. | | Page 108 of 151 |

| |
|---|
| <h1 style="margin: 0;">SNOWBLOWER</h1> <h2 style="margin: 0;">BOBCAT LOADER ATTACHMENT</h2> |
|---|

Truck Loading Chute.....Remove standard chute, install truck loading chute..... 2.5

SOD LAYER

BOBCAT LOADER ATTACHMENT



QUICK SPECS

| | |
|---------------------------------|----------------------------|
| Operating Weight | 596 lbs. |
| Length | 49.1" |
| Width (maximum overall)..... | 73.0" |
| Height..... | 31.0" |
| Sod Roll Widths | 24.0" – 48.0" |
| Maximum Diameter Sod Roll | 50.0" |
| Arm Cylinders (2) | 2.0" X 1.0" X 18.5" Stroke |
| Relief Valve Setting | 400 psi |

| PART NUMBER | ATTACHMENT DESCRIPTION | SLP IN US \$ |
|-------------|------------------------|--------------|
|-------------|------------------------|--------------|

(S130, S150, S160, S175, S185, S205) (S450, S510, S530, S550, S570, S590, S595, S630, S650, S740, S750, S770, S850)(A770) (T140, T180, T190) (T450, T550, T590, T595, T630, T650, T740, T750, T770, T870)

6906783 **SOD LAYER** **\$3,928.00**

DESTINATION CHARGE/FUEL SURCHARGE

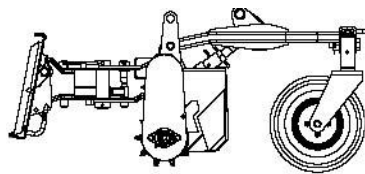
Refer to BobQuote or BobcatNET>>Other Resources>>Pricing Homepage for current Destination and Fuel Charges.

| ATTACHMENT | ASSEMBLY REQUIRED | INSTALLATION TIME (HOURS) |
|------------|-------------------|---------------------------|
|------------|-------------------|---------------------------|

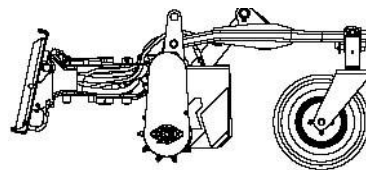
Sod Layer.....None..... -

SOIL CONDITIONER

BOBCAT LOADER ATTACHMENT



72-in



84-in

QUICK SPECS

| | <u><i>48-in Man.</i></u> | <u><i>72-in Man</i></u> | <u><i>72-in Hyd.</i></u> |
|----------------------------------|-----------------------------|--------------------------|-----------------------------|
| Overall Length..... | 57.9" | 67.9" | 67.9" |
| Overall Width..... | 60.6" | 86.2" | 86.2" |
| Working Width – Fully Angled.... | 46.0" | 65.0" | 65.0" |
| Degree of Angle | | | |
| Left or Right..... | 25 deg. | 25 deg. | 25deg. |
| Number of Teeth..... | 81 | 121 | 121 |
| Operating Weight..... | 636 lbs. | 1110 lbs. | 1110 lbs. |
| Hydraulic Requirements..... | 10-18 gpm | 13-37 gpm | 13-37 gpm |
| Tires..... | Pneumatic | Pneumatic | Foam-Filled |
| Float or Lock Position..... | Lock | Both | Both |
| Depth Adjustment..... | Manual | Manual | Hydraulic |
| Angle Adjustment..... | Manual | Manual | Hydraulic |
| | | | |
| | <u><i>72-in High Fl</i></u> | <u><i>84-in Hyd.</i></u> | <u><i>84-in High Fl</i></u> |
| Overall Length..... | 67.9" | 67.9" | 67.9" |
| Overall Width..... | 86.2" | 98.2" | 98.2" |
| Working Width – Fully Angled.... | 65.0" | 76.0" | 76.0" |
| Degree of Angle | | | |
| Left or Right..... | 25 deg. | 25 deg. | 25 deg. |
| Number of Teeth..... | 121 | 141 | 141 |
| Operating Weight..... | 1110 lbs. | 1268 lbs. | 1268 lbs. |
| Hydraulic Requirements..... | 25-37 gpm | 18-37 gpm | 30-37 gpm |
| Tires..... | Foam-Filled | Foam-Filled | Foam-Filled |
| Float or Lock Position..... | Both | Both | Both |
| Depth Adjustment..... | Hydraulic | Hydraulic | Hydraulic |
| Angle Adjustment..... | Hydraulic | Hydraulic | Hydraulic |

SOIL CONDITIONER

BOBCAT LOADER ATTACHMENT

| PART NUMBER | ATTACHMENT DESCRIPTION | SLP IN US \$ |
|---|---|--------------|
| (MT50, MT52, MT55, MT85) (S70, S100) (T110) | | |
| 6958310 | 48" SOIL CONDITIONER, MANUAL ANGLE..... | \$6,671.00 |
| (S130, S150, S160, S160H, S175, S185, S185H, S205, S205H) (S450, S510, S530, S550, S550H, S570, S570H, S590, S590H, S595, S595H, S630, S630H, S650, S650H, S740, S740H, S750, S750H, S770, S770H) (A770, A770H) (T140, T180, T180H, T190, T190H) (T450, T550, T550H, T590, T590H, T595, T595H, T630, T630H, T650, T650H) | | |
| 6906513 | 72" SOIL CONDITIONER, MANUAL ANGLE..... | \$8,614.00 |
| 7135945 | 72" SOIL CONDITIONER, HYDRAULIC ANGLE AND DEPTH..... (Loader must be equipped with an Attachment Control Kit) | \$9,360.00 |
| (S160H, S185H, S205H) (S550H, S570H, S590H, S595H, S630H, S650H, S740H, S750H, S770H) (A770H) (T180H, T190H) (T550H, T590H, T595H, T630H, T650H, T740H, T750H, T770H) | | |
| 7135944 | 72" SOIL CONDITIONER, HIGH FLOW HYDRAULIC ANGLE AND DEPTH ... (Loader must be equipped with an Attachment Control Kit) | \$9,684.00 |
| (S175, S185, S185H, S205, S205H) (S510, S530, S550, S550H, S570, S570H, S590, S590H, S595, S595H, S630, S630H, S650, S650H, S740, S740H, S750, S750H, S770, S770H, S850) (A770, A770H) (T180, T180H, T190, T190H) (T550, T550H, T590, T590H, T595, T595H, T630, T630H, T650, T650H, T740, T740H, T750, T750H, T770, T770H, T870) | | |
| 7135946 | 84" SOIL CONDITIONER, HYDRAULIC ANGLE AND DEPTH (Loader must be equipped with an Attachment Control Kit) | \$9,899.00 |
| (S630H, S650H, S740H, S750H, S770H, S850H) (A770H) (T630H, T650H, T740H, T750H, T770H, T870H) | | |
| 7135947 | 84" SOIL CONDITIONER, HIGH FLOW HYDRAULIC ANGLE AND DEPTH ... (Loader must be equipped with an Attachment Control Kit) | \$10,330.00 |

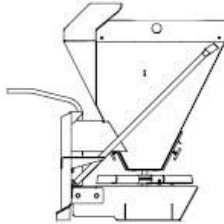
DESTINATION CHARGE/FUEL SURCHARGE

Refer to BobQuote or BobcatNET>>Other Resources>>Pricing Homepage for current Destination and Fuel Charges.

| ATTACHMENT | ASSEMBLY REQUIRED | INSTALLATION TIME (HOURS) |
|---|---------------------|---------------------------|
| Soil Conditioner – manual angle | Adjust Bolster..... | .25 |
| Soil Conditioner – hydraulic angle..... | None..... | - |
| Attachment Control Kit | | See Page |

HS8 SPREADER

BOBCAT LOADER ATTACHMENT



HS8 SPREADER

QUICK SPECS

HS8 Spreader

- Operating Weight
 with Loader Mount (empty) 387 lbs.
- Height..... 40.9"
- Width..... 54.4"
- Hopper Capacity
 Top of Hopper 9.6 Cu. Ft.
 Bottom of Grate 7.6 Cu. Ft.
- Spreading Pattern 18.4 @ 1500 RPM
 22.6 @ 2000 RPM
 28.4 @ 2500 RPM
- Speed Control..... Dial control

- Motor..... Hydraulic
- Spinner Wheel..... 18" diameter
- Maximum Hydraulic Flow 22 GPM

| PART NUMBER | ATTACHMENT DESCRIPTION | SLP IN US \$ |
|-------------|------------------------|--------------|
|-------------|------------------------|--------------|

(S130, S150, S160, S175, S185, S205) (S450, S510, S530, S550, S570, S590, S595, S630, S650, S740, S750, S770, S850) (A770) (T140, T180, T190) (T450, T550, T590, T630, T650, T740, T750, T770, T870)

7157284 HS8 SPREADER \$3,628.00

| PART NUMBER | DEALER INSTALLED ACCESSORIES – ORDER FROM SALES DESCRIPTION | SLP IN US \$ |
|-------------|---|--------------|
|-------------|---|--------------|

HS8 Spreader

7157412 SIDEWALK KIT – HS8 PARTS \$ _____
 (Limits spread pattern to the width of a 29" or 37" dependant mounting location used)

DESTINATION CHARGE/FUEL SURCHARGE

Refer to BobQuote or BobcatNET>>Other Resources>>Pricing Homepage for current Destination and Fuel Charges.

STABILIZER

BOBCAT LOADER ATTACHMENT



QUICK SPECS

Ship Weight..... 260 lbs.

Increase your auger, backhoe or tree spade performance in a wide range of jobs with a set of frame-mounted rear stabilizers. Improves performance by transferring weight of the loader to the auger, backhoe or tree spade where it's needed for better digging capability. Rear stabilizers also assist in leveling the loader on uneven terrain. Rear stabilizers are available for most Bobcat loaders and can be quickly mounted and removed.

Note: Installation of Rear Stabilizers requires Rear Auxiliary Hydraulics. For Rear Auxiliary Hydraulics, refer to the Dealer Installed sections of the Loader price pages.

| PART NUMBER | ATTACHMENT DESCRIPTION | SLP IN US \$ |
|-------------|------------------------|--------------|
|-------------|------------------------|--------------|

(S130, S150, S160, S175, S185, S205) (S450*, S510, S530, S550, S570, S590, S595, S630, S650, S740, S750, S770, S850) (A770) (T140, T180, T190) (T450, T550, T590, T595, T630, T650, T740, T750, T770)

6811449 QUICK-TACH REAR STABILIZER KIT PARTS _____
 (Must also order mounting kit) (Loader must be equipped with Rear Auxiliary Hydraulic Kit)
 (Intended for use with 607, 709, 8709, 811 and 8811 Backhoes, Augers and Tree Spades)
 (Rear Stabilizers NOT compatible with Bob-Tach Mounted Backhoe P/N 6906767)

*Must order the counter weight kit - axle P/N 7204315 when mounting rear stabilizers on S450.

| PART NUMBER | DEALER INSTALLED ACCESSORIES – ORDER FROM SALES DESCRIPTION | SLP IN US \$ |
|-------------|---|--------------|
|-------------|---|--------------|

(S510, S530, S550, S570, S590, S595, S630, S650) (T450, T550, T590, T595, T630, T650)

7152508 MOUNTING KIT **\$465.00**
 (Approved for use with M-Series Loaders to mount Quick-Tach Stabilizer and Quick-Tach Water Kit) (Ship weight 120 lbs.)

(S740, S750, S770, S850) (A770) (T740, T750, T770)

7152512 MOUNTING KIT **\$465.00**
 (Approved for use with M-Series Loaders to mount Quick-Tach Stabilizer and Quick-Tach Water Kit) (Ship weight 90 lbs.)

(T870 torsion suspension SN B47C11001 & up)

7342130 MOUNTING KIT PARTS \$ _____
 (Approved for T870 loaders with torsion suspension to mount QT Stabilizer and QT Water Kit) (Ship weight 90 lbs.)

(S150, S160, S175, S185, S205, S220, S250, S300, S330) (A300) (T180, T190, T250, T300, T320)

6811455 COUNTERWEIGHT KIT, 300 LB PARTS \$ _____
 (Attaches to Rear Stabilizer and Mounting Kit.)

DESTINATION CHARGE/FUEL SURCHARGE

Refer to BobQuote or BobcatNET>>Other Resources>>Pricing Homepage for current Destination and Fuel Charges.

STABILIZER

BOBCAT LOADER ATTACHMENT

| ATTACHMENT (HOURS) | ASSEMBLY REQUIRED | INSTALLATION TIME |
|-------------------------|--|----------------------|
| Rear Stabilizers..... | Install stabilizer mount and attach stabilizers..... | 2.5 |
| Counterweight Kits..... | Install counterweights | .5 |
| Street Pad Kit..... | Install street pads..... | .25 |

STEEL TRACKS

BOBCAT LOADER ATTACHMENT



| ATTACHMENT | | | | | | |
|-------------|-----------|----------------|---------------|-----------------------|-----------------------|--------------|
| PART NUMBER | TIRE SIZE | NUMBER OF PADS | MACHINE WIDTH | WHEEL SPACERS (INCL.) | LIFT ARM STOP (INCL.) | SHIP. WGT. |
| | | | | | | SLP IN US \$ |

COMPLETE TRACK PACKAGE

Each part number includes a set of tracks, web binder, hardware, and if required, wheel spacers and lift arm stops.

(S175, S185)

7111882 10.00-16.5 34 69" NONE 920 \$2,777.00
 Note: Tracks will not work with 773, S175, S185 with 60" offset rims.

(S510, S530, S550, S570)

7222581 10.00-16.5 34 72" 2" 913 \$3,395.00
 Note: Order p/n 7233132 if loader is equipped with 31-12-16.5 tires.

(S510, S530, S550, S570, S590, S595)

7233132 31-12-16.5 34 76" NONE 963 \$3,058.00
 Notes: Requires rims to be reversed for proper spacing. Flange nuts included for securing the rim.
 Order p/n 7222581 if loader is equipped with 10-16.5 tires.
 Bucket will be narrower than the 76" over the track width.

(S630, S650)

7178955 12.00-16.5 38 79" 2" 1,197 \$3,580.00

(S740, S750, S770)

7191754 12.00-16.5 38 79" 2" 1,201 \$4,330.00

(S850)

7191757 14.00-17.5 42 86" 2" 1,366 \$5,011.00

Note on use of poly fill tires and other non-pneumatic tires with steel tracks

Only pneumatic tires and tires with Superflex formula poly fill manufactured by Aruco are permitted for use inside steel tracks. Bobcat factory poly-filled tires meet this requirement. All other tires including Bobcat Solid Tires (Twin Flex, Smooth Flex, Smooth Solid, etc.) are considered non-approved. The use of non-approved tires will void the loader and track warranties. For more information, see service letter #5010 dated 15 July 2002.

| DEALER INSTALLED ACCESSORIES – ORDER FROM SALES | | |
|---|-------------|--------------|
| PART NUMBER | DESCRIPTION | SLP IN US \$ |

REPLACEMENT TRACK SETS

*Each part number includes a set of tracks and web binder.
 Additional hardware, wheel spacers and lift-arm stops are not included.*

(S150, S160, S175, S185)

7111882 TRACKS \$2,777.00
 (Fits 10.0-16.5 tires) (Ship Weight 918 lbs.)

(S590, S595)

7233132 TRACKS \$3,058.00
 (Fits 31-12x16.5 tires) (Ship Weight 963 lbs.)
 (Includes flange nuts) (Rims must be reversed for proper spacing)

STEEL TRACKS

BOBCAT LOADER ATTACHMENT

| PART NUMBER | DEALER INSTALLED ACCESSORIES – ORDER FROM PARTS DESCRIPTION |
|-------------|---|
|-------------|---|

For current Dealer Installed Accessories pricing, reference BobQuote or Dealer Parts Department.

REPLACEMENT PARTS

The following are common parts required to service steel tracks.

| | | | |
|---------|---|-------|----------|
| 7111988 | 11.5" WELDED PAD (1" BARS) | PARTS | \$ _____ |
| 7111989 | 11.5" WELDED PAD KIT (1" BARS)..... (Includes Pad, 2 Links, 4 Nuts, 4 Bolts, 4 Bushings) | PARTS | \$ _____ |
| 7111858 | 13.25" PAD..... | PARTS | \$ _____ |
| 7111862 | 13.25" PAD KIT..... (Includes Pad, 2 Links, 4 Nuts, 4 Bolts, 4 Bushings) | PARTS | \$ _____ |
| 7111860 | 14.75" PAD..... | PARTS | \$ _____ |
| 7111863 | 14.75" PAD KIT..... (Includes Pad, 2 Links, 4 Nuts, 4 Bolts, 4 Bushings) | PARTS | \$ _____ |
| 7111861 | 16.00" PAD..... | PARTS | \$ _____ |
| 7111864 | 16.00" PAD KIT..... (Includes Pad, 2 Links, 4 Nuts, 4 Bolts, 4 Bushings) | PARTS | \$ _____ |
| 7111857 | LINK (1 ¼" HOLES) | PARTS | \$ _____ |
| 6679215 | BUSHING (1 ¼" OUTSIDE DIAMETER)..... | PARTS | \$ _____ |
| 6679216 | CARRIAGE BOLT (½" x 1 7/8" GR5)..... | PARTS | \$ _____ |
| 6679217 | NUT (½" NF GR5 CENTER LOCK) | PARTS | \$ _____ |
| 6679059 | WEB BINDER..... | PARTS | \$ _____ |
| 6679060 | WEB BINDER STRAP..... | PARTS | \$ _____ |

WHEEL SPACER PARTS

| | | | |
|--|---|-------|----------|
| 6679231 | STUD, 9/16" x 2.12" | PARTS | \$ _____ |
| 6679233 | NUT, 9/16" x 90° | PARTS | \$ _____ |
| 6679234 | REACH NUT | PARTS | \$ _____ |
| (753, 763, 773, S175, S185, 853) | | | |
| 6679237 | 1 ½" WHEEL SPACER KIT (9/16 STUDS & NUTS) | PARTS | \$ _____ |
| | (Includes 4 wheel spacers, nuts and bolts) | | |
| 6679238 | 1 ½" WHEEL SPACER RING (9/16 STUDS & NUTS)..... | PARTS | \$ _____ |
| (S220, S250, 873) (S510, S530, S550, S570) | | | |
| 6679239 | 2" WHEEL SPACER KIT (9/16 STUDS & NUTS)..... | PARTS | \$ _____ |
| | (Includes 4 wheel spacers, nuts and bolts) | | |
| 6679240 | 2" WHEEL SPACER RING (9/16 STUDS & NUTS) | PARTS | \$ _____ |
| (963) | | | |
| 6679241 | 1 ½" WHEEL SPACER KIT (WITH REACH NUTS) | PARTS | \$ _____ |
| | (Includes 4 wheel spacers, nuts and bolts) | | |
| 6679242 | 1 ½" WHEEL SPACER RING (WITHOUT REACH NUTS) | PARTS | \$ _____ |

STEEL TRACKS

BOBCAT LOADER ATTACHMENT

DEALER INSTALLED ACCESSORIES – ORDER FROM PARTS

| PART NUMBER | DESCRIPTION |
|-------------|-------------|
|-------------|-------------|

For current Dealer Installed Accessories pricing, reference BobQuote or Dealer Parts Department.

RE-BUILD KITS WITHOUT LINKS

Includes nuts, bolts and bushings

Refer to track packages to see how many pads are required.

| | | | |
|---------------|-----------------------|-------|----------|
| 7111868 | 30 PADS/MACHINE | PARTS | \$ _____ |
| 7111869 | 32 PADS/MACHINE | PARTS | \$ _____ |
| 7111870 | 34 PADS/MACHINE | PARTS | \$ _____ |
| 7111871 | 38 PADS/MACHINE | PARTS | \$ _____ |
| 7111872 | 40 PADS/MACHINE | PARTS | \$ _____ |
| 7111873 | 42 PADS/MACHINE | PARTS | \$ _____ |

RE-BUILD KITS WITH LINKS

Includes links, nuts, bolts and bushings

Refer to track packages to see how many pads are required.

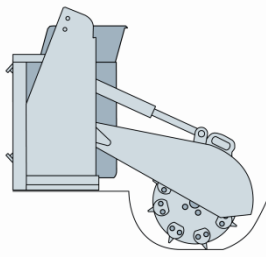
| | | | |
|---------------|-----------------------|-------|----------|
| 7111874 | 30 PADS/MACHINE | PARTS | \$ _____ |
| 7111875 | 32 PADS/MACHINE | PARTS | \$ _____ |
| 7111876 | 34 PADS/MACHINE | PARTS | \$ _____ |
| 7111877 | 38 PADS/MACHINE | PARTS | \$ _____ |
| 7111878 | 40 PADS/MACHINE | PARTS | \$ _____ |
| 7111879 | 42 PADS/MACHINE | PARTS | \$ _____ |

DESTINATION CHARGE/FUEL SURCHARGE

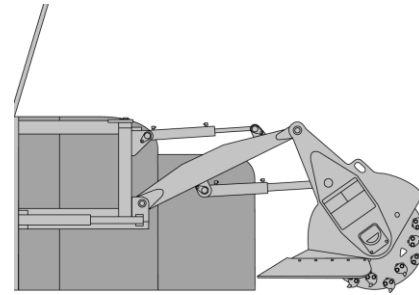
Refer to BobQuote or BobcatNET>>Other Resources>>Pricing Homepage for current Destination and Fuel Charges.

STUMP GRINDER

BOBCAT LOADER ATTACHMENT



SG30 Stump Grinder



SG60 and SGX60 Stump Grinder

QUICK SPECS

| | <u>SG30</u> | <u>SG60</u> | <u>SGX60</u> |
|------------------------------------|-------------|-------------|--------------|
| Operating Weight | 460 lbs. | 980 lbs. | 995 lbs. |
| Flow Range | 10-14 gpm | 17-32 gpm* | 25-40 gpm* |
| Overall Length | 46.3" | 45" | 45" |
| Overall Transport Length..... | 39.5" | 65.8" | 65.8" |
| Overall Height..... | 33.5" | 59.4" | 59.4" |
| Wheel Diameter | 18" | 27" | 27" |
| Number of Teeth | 16 | 32 | 32 |
| Grinder Reach @ Ground Level | 46.3" | 74" | 74" |
| Maximum Cutting Height | 11" | 32" | 32" |
| Maximum Cutting Depth | 11" | 15" | 15" |
| Maximum Cutting Arc | 90° | 80° | 80° |

Note: Performance is dependent upon the loader's auxiliary hydraulic flow. Choose a high flow loader for optimum performance.

| PART NUMBER | ATTACHMENT DESCRIPTION | SLP IN US \$ |
|-------------|------------------------|--------------|
|-------------|------------------------|--------------|

(MT50, MT52, MT55, MT85) (S70)

7100641 SG30 STUMP GRINDER \$5,275.00
(Loader must be equipped with a 14-Pin Attachment Control Kit – See Page 3-6)

(S160, S160H, S175, S185, S185H, S205, S205H)

(S510, S530, S550, S550H, S570, S570H, S590, S590H, S595, S595H, S630, S630H, S650, S650H, S740, S750, S770, S850) (A770) (T180, T180H, T190, T190H) (T550, T550H, T590, T590H, T595, T595H, T630, T630H, T650, T650H, T740, T750, T770, T870)

6808034 SG60 STUMP GRINDER \$9,292.00

***Not approved for use with 37 GPM High Flow Loaders**
(Loader must be equipped with an Attachment Control Kit – See Page 3-6)
(When used on loaders equipped with a 14-Pin Attachment Control Kit, a 14-Pin Attachment T-Harness Kit is required – See Page 6)

(S185H, S205H) (S550H, S570H, S590H, S595H, S630H, S650H, S740H, S750H, S770H, S850H) (A770H) (T180H, T190H) (T550H, T590H, T595H, T630H, T650H, T740H, T750H, T770H, T870H)

7112201 SGX60 STUMP GRINDER \$9,617.00
(Loader must be equipped with an Attachment Control Kit – See Page 3-6)
(When used on loaders equipped with a 14-Pin Attachment Control Kit, a 14-Pin Attachment T-Harness Kit is required – See Page 6)

STUMP GRINDER

BOBCAT LOADER ATTACHMENT

PART NUMBER DEALER INSTALLED ACCESSORIES – ORDER FROM PARTS DESCRIPTION

For current Dealer Installed Accessories pricing, reference BobQuote or Dealer Parts Department.

6732873 HARNESS FOR F-SERIES LOADERS PARTS \$ _____
 (Used on SG60 with F-Series Loaders to increase grinding wheel power when swing is engaged)

DESTINATION CHARGE/FUEL SURCHARGE

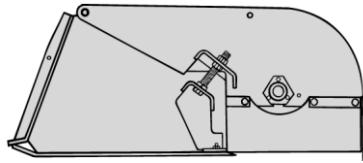
Refer to BobQuote or BobcatNET>>Other Resources>>Pricing Homepage for current Destination and Fuel Charges.

| | ASSEMBLY REQUIRED | INSTALLATION TIME (HOURS) |
|-------------------|-------------------|---------------------------|
| ATTACHMENT | | |

| | | |
|------------------------------|-----------|--------------|
| Stump Grinder | None..... | - |
| Attachment Control Kit | | See Page 3-6 |

SWEEPER

BOBCAT LOADER ATTACHMENT



QUICK SPECS

| | | | |
|-----------------------------------|---|--------------|--------------|
| | <u>44"</u> | <u>54"</u> | <u>60"</u> |
| Operating Weight | 555 lbs. | 650 lbs. | 758 lbs. |
| Sweep Width..... | 44" | 54" | 60" |
| Overall Attachment Width..... | 48.3" | 58.3" | 66.2" |
| | | | |
| Bucket Capacity..... | 6.6 cu. ft. | 8.2 cu. ft. | 12.0 cu. ft. |
| Broom Diameter | 21.4" | 21.4" | 21.4" |
| Bristle Sections (Included) | 21 | 26 | 30 |
| Bristle Material | Replaceable Polypropylene sections (steel sections available) | | |
| Cutting Edge (Repl. Steel)..... | 5/8" x 6" | 5/8" x 6" | 5/8" x 6" |
| Broom RPM @ 15 GPM | 185 | 185 | 215 |
| Travel..... | Frwd/Rev | Frwd/Rev | Frwd/Rev |
| | <u>72"</u> | <u>84"</u> | |
| Operating Weight | 845 lbs. | 1029 lbs. | |
| Sweep Width..... | 72" | 84" | |
| Overall Attachment Width..... | 78.2" | 89.9" | |
| Bucket Capacity..... | 14.4 cu. ft. | 18.5 cu. ft. | |
| Broom Diameter | 21.4" | 24" | |
| Bristle Sections (Included) | 36 | 42 | |
| Bristle Material | Replaceable Polypropylene sections (steel sections available) | | |
| Cutting Edge (Repl. Steel)..... | 5/8" x 6" | 5/8" x 6" | |
| Broom RPM @ 15 GPM | 215 | 215 | |
| Travel..... | Frwd/Rev | Frwd/Rev | |

| PART NUMBER | DESCRIPTION | ATTACHMENT | SLP IN US \$ |
|-------------|-------------|------------|--------------|
|-------------|-------------|------------|--------------|

| | | | |
|--|-------------------------|--|-------------------|
| (MT55, MT85) (S70) | | | |
| 7138898 | 44" SWEEPER..... | | \$3,388.00 |
| (S100, S130) (T110)(S450) (T450) | | | |
| 7138870 | 54" SWEEPER..... | | \$3,697.00 |
| (S130, S150, S160, S175, S185, S205) (S450, S510, S530, S550, S570, S590, S595) | | | |
| (T140, T180, T190) (T450, T550, T590, T595) | | | |
| 6707144 | 60" SWEEPER..... | | \$4,012.00 |
| (S150, S160, S175, S185, S205) (S510, S530, S550, S570, S590, S595, S630, S650, S740, S750, S770) | | | |
| (A770) (T180, T190) (T550, T590, T595, T630, T650) | | | |
| 6707837 | 72" SWEEPER..... | | \$4,436.00 |
| (S630, S650, S740, S750, S770) (A770) (T630, T650, T740, T750, T770) | | | |
| 7112646 | 84" SWEEPER..... | | \$4,963.00 |

SWEEPER

BOBCAT LOADER ATTACHMENT

| PART NUMBER | DEALER INSTALLED ACCESSORIES – ORDER FROM SALES DESCRIPTION | SLP IN US \$ |
|-------------|---|-------------------|
| 6714219 | GUTTER BRUSH (Add-on to the 60" and 72" Sweeper) (Includes hoses, couplers, steel bristles, mounting frame, hardware and control valve) (Estimated install time 2 hours) (Ship Weight 145 lbs.) | \$1,416.00 |
| 7122418 | GUTTER BRUSH (Add-on to the 84" Sweeper) (Includes hoses, couplers, steel bristles, mounting frame, hardware and control valve) (Estimated install time 2 hours) (Ship Weight 145 lbs.) | \$1,331.00 |
| 7147900 | WHEEL KIT, 84" (Not Recommended for use with the 7122418 Gutter Brush) (Add-on for the 84" Sweeper) (Limits surface damage due to scrapes and scratches) (Includes hardware, two wheels and gas springs) (Estimated install time 1 hours) | \$1,009.00 |

| PART NUMBER | DEALER INSTALLED ACCESSORIES – ORDER FROM PARTS DESCRIPTION |
|-------------|---|
|-------------|---|

For current Dealer Installed Accessories pricing, reference BobQuote or Dealer Parts Department.

| | | | |
|---------|--|-------|----------|
| 6805366 | BOLT-ON CUTTING EDGE, 54" (Hardware not included) (Estimated install time 1.5 hours) | PARTS | \$ _____ |
| 6805367 | BOLT-ON CUTTING EDGE, 60" (Hardware not included) (Estimated install time 1.5 hours) | PARTS | \$ _____ |
| 6805368 | BOLT-ON CUTTING EDGE, 72" (Hardware not included) (Estimated install time 1.5 hours) | PARTS | \$ _____ |
| 7104254 | BOLT-ON CUTTING EDGE, 84" (Hardware not included) (Estimated install time 1.5 hours) | PARTS | \$ _____ |

Water Kit

NOTE: Water Kits are available for use with the Sweeper attachments – see Water Kit page for details.

| DESTINATION CHARGE/FUEL SURCHARGE |
|---|
| Refer to BobQuote or BobcatNET>>Other Resources>>Pricing Homepage for current Destination and Fuel Charges. |

| ATTACHMENT | ASSEMBLY REQUIRED | INSTALLATION TIME (HOURS) |
|--------------------------|---|---------------------------|
| Sweeper, 44" – 54" | None..... | - |
| Sweeper, 60"-72" | Adjust side bolts (2) for 3/4" clearance (Shipped with no clearance) | 0.25 |
| Gutter Brush | | 2.00 |
| Wheel Kit..... | | 1.00 |

THREE-POINT HITCH ADAPTER

BOBCAT LOADER ATTACHMENT



QUICK SPECS

Operating Weight..... 272 lbs.
 Mounting Frame..... Mounts to category "I and II" Three-Point Hitch Implements that meet the ASAE standard for quick hitch.
 Overall Width..... 46"

| PART NUMBER | DESCRIPTION | ATTACHMENT | SLP IN US \$ |
|-------------|-------------|------------|--------------|
|-------------|-------------|------------|--------------|

(S100, S130, S150, S160, S175, S185, S205) (S450, S510, S530, S550, S570, S590, S595, S630, S650, S740, S750, S770) (A770) (T110, T140, T180, T190) (T450, T550, T590, T595, T630, T650, T740, T750, T770)

| | | |
|----------------|--|-----------------|
| 7110394 | THREE-POINT HITCH ADAPTER, CATEGORY "I AND II" (Quick-tach connection to Three-Point Hitch implements to convert to Bob-Tach™) (Includes 2" receiver for moving trailers) | \$971.00 |
|----------------|--|-----------------|

DESTINATION CHARGE/FUEL SURCHARGE

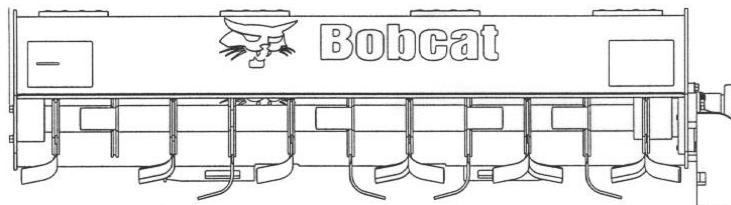
Refer to BobQuote or BobcatNET>>Other Resources>>Pricing Homepage for current Destination and Fuel Charges.

| ATTACHMENT | ASSEMBLY REQUIRED | INSTALLATION TIME (HOURS) |
|------------|-------------------|---------------------------|
|------------|-------------------|---------------------------|

| | | |
|------------------------|-----------|---|
| Three-Point hitch..... | None..... | - |
|------------------------|-----------|---|

TILLER

BOBCAT LOADER ATTACHMENT



QUICK SPECS

| | | | |
|------------------------|-----------------|-----------------|-----------------|
| | <u>40"</u> | <u>62"</u> | <u>76"</u> |
| Operating Weight..... | 475 lbs. | 660 lbs. | 749 lbs. |
| Working Width | 40.6" | 62.1" | 75.4" |
| Overall Width..... | 48" | 70.8" | 84.4" |
| Tines..... | 24 | 36 | 44 |
| Working Depth..... | 6" maximum | 6" maximum | 6" maximum |
| Tine Rotation..... | Bi-rotational | Bi-rotational | Bi-rotational |
| Drive..... | Direct Drive | Direct Drive | Direct Drive |
| Travel Direction | Forward/Reverse | Forward/Reverse | Forward/Reverse |
| Flow Range | 9-18 GPM | 17-40 GPM | 17-40 GPM |
| Skid Shoe | Optional | Optional | Optional |

| PART NUMBER | ATTACHMENT DESCRIPTION | SLP IN US \$ |
|-------------|------------------------|--------------|
|-------------|------------------------|--------------|

(MT50, MT52, MT55, MT85) (S70, S100) (T110)
7196028 40" ROTARY TILLER..... \$4,272.00

(S130, S150, S160, S160H, S175, S185, S185H, S205, S205H)
 (S450, S510, S530, S550, S550H, S570, S570H, S590, S590H, S595, S595H, S630, S630H, S650, S650H, S740, S740H, S750, S750H, S770, S770H) (T140, T180, T180H, T190, T190H) (T450, T550, T550H, T590, T590H, T595, T595H, T630, T630H, T650, T650H)
7104371 62" ROTARY TILLER..... \$4,899.00

(S160, S160H, S175, S185, S185H, S205, S205H)
 (S510, S530, S550, S550H, S570, S570H, S590, S590H, S595, S595H, S630, S630H, S650, S650H, S740, S740H, S750, S750H, S770, S770H) (A770, A770H) (T180, T180H, T190, T190H)
 (T550, T550H, T590, T590H, T595, T595H, T630, T630H, T650, T650H, T740, T740H, T750, T750H, T770, T770H)
7102125 76" ROTARY TILLER..... \$5,956.00

| PART NUMBER | DEALER INSTALLED ACCESSORIES – ORDER FROM PARTS DESCRIPTION |
|-------------|---|
|-------------|---|

For current Dealer Installed Accessories pricing, reference BobQuote or Dealer Parts Department.

TILLER
BOBCAT LOADER ATTACHMENT

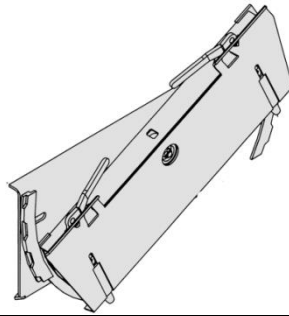
7280548 **TILLER SKID SHOES FOR ALL MODELS..... PARTS** \$ _____
 (0.5 hour assembly time)

DESTINATION CHARGE/FUEL SURCHARGE
 Refer to BobQuote or BobcatNET>>Other Resources>>Pricing Homepage for current Destination and Fuel Charges.

| ATTACHMENT | ASSEMBLY REQUIRED | INSTALLATION TIME (HOURS) |
|-----------------------|-----------------------|------------------------------|
| Tiller..... | None..... | - |
| Tiller Skid Shoe..... | Bolt onto tiller..... | 0.5 |

TILT TATCH

BOBCAT LOADER ATTACHMENT



QUICK SPECS

| | |
|-----------------------|----------|
| Operating Weight..... | 320 lbs. |
| Height..... | 20.4" |
| Width..... | 48" |
| Length..... | 4.3" |
| Oscillation..... | ± 15° |
| Cylinders..... | 1 |

| PART NUMBER | ATTACHMENT DESCRIPTION | SLP IN US \$ |
|-------------|------------------------|--------------|
|-------------|------------------------|--------------|

(S130, S150, S160, S175, S185, S205) (S450, S510, S530, S550, S570, S590, S595, S630, S650)
 (T140, T180, T190) (T450, T550, T590, T595)

7101600 **TILT-TATCH** **\$2,461.00**
 (Interface between the Loader's Bob-Tach and non hydraulic attachments)

- Note:** Use of Tilt-Tatch will reduce Operating Capacity and Tip Load by approximately 20%. See the Tilt-Tatch Operators Manual for New Load Ratings.
Note: Tilt-Tatch can be used with non-hydraulic attachments only.

| PART NUMBER | DEALER INSTALLED ACCESSORIES – ORDER FROM PARTS DESCRIPTION |
|-------------|---|
|-------------|---|

For current Dealer Installed Accessories pricing, reference BobQuote or Dealer Parts Department.

7101857 **TILT-TATCH REBUILD KIT** **PARTS \$** _____
 (The bolt-on rebuild kit allows customers with high usage or excessive wear applications to replace high wear items without the use of a cutting torch and welder.)

DESTINATION CHARGE/FUEL SURCHARGE

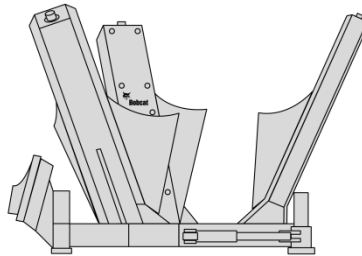
Refer to BobQuote or BobcatNET>>Other Resources>>Pricing Homepage for current Destination and Fuel Charges.

| ATTACHMENT | ASSEMBLY REQUIRED | INSTALLATION TIME (HOURS) |
|------------|-------------------|---------------------------|
|------------|-------------------|---------------------------|

Tilt-Tatch.....**None**..... **-**

TREE SPADE

BOBCAT LOADER ATTACHMENT



QUICK SPECS

| | | 32" | 36" | 44" |
|-----------------------|---------------------|-----------|-----------|-----------|
| Spande Weight | <i>Cone 30°</i> | 1590 lbs. | 1640 lbs. | 2150 lbs. |
| | <i>Modified 25°</i> | 1525 lbs. | 1580 lbs. | 2145 lbs. |
| Width | <i>Cone 30°</i> | 91.8 in. | 95.6 in. | 85.1 in. |
| | <i>Modified 25°</i> | 76.0 in. | 79.8 in. | 77.7 in. |
| Height | <i>Cone 30°</i> | 64.2 in. | 64.2 in. | 64.2 in. |
| | <i>Modified 25°</i> | 58.7 in. | 58.7 in. | 66.6 in. |
| Length | <i>Cone 30°</i> | 83.3 in. | 87.5 in. | 85.1 in. |
| | <i>Modified 25°</i> | 74.2 in. | 78.4 in. | 78.5 in. |
| Max Digging Depth | <i>Cone 30°</i> | 31.2 in. | 32.9 in. | 33.3 in. |
| | <i>Modified 25°</i> | 25.9 in. | 29.4 in. | 31.0 in. |
| Bottom Opening Radius | <i>Cone 30°</i> | 0.8 in. | 2.2 in. | 5.6 in. |
| | <i>Modified 25°</i> | 5.6 in. | 6.2 in. | 9.4 in. |

| PART NUMBER | ATTACHMENT DESCRIPTION | SLP IN US \$ |
|-------------|------------------------|--------------|
|-------------|------------------------|--------------|

CONVERTIBLE TREE SPADES

Convertible Tree Spades can be equipped with either a pendant style (rocker switch) control panel or a 7-pin ACD control kit. Convertible Tree Spades for competitor loaders G-series and older require pendant control to be ordered and installed. 44" Tree Spade requires pendant control kit p/n 7152664 for competitive loaders G-series and older. New Tree Spades come stock with 7-pin ACD conversion kit.

(S160, S175, S185, S205) (S510, S530, S550, S570, S590, S595, S630, S650, S740, S750, S770, S850) (A770) (T180, T190) (T550, T590, T595, T630, T650, T740, T750, T770, T870)

7149485 32" CONVERTIBLE TREE SPADE, CONE..... \$12,172.00

7149442 32" CONVERTIBLE TREE SPADE, MODIFIED..... \$12,172.00

(S175, S185, S205) (S510, S530, S550, S570, S590, S595, S630, S650, S740, S750, S770, S850) (A770) (T180, T190) (T550, T590, T595, T630, T650, T740, T750, T770, T870)

7149488 36" CONVERTIBLE TREE SPADE, CONE..... \$12,953.00

7149445 36" CONVERTIBLE TREE SPADE, MODIFIED..... \$12,953.00

(S740, S750, S770, S850) (A770) (T650, T740, T750, T770, T870)

*Competitive loaders G-series and older require/must also order pendant control kit P/N 7152664

7149491 44" CONVERTIBLE TREE SPADE, CONE..... \$17,710.00

7149306 44" CONVERTIBLE TREE SPADE, MODIFIED..... \$17,710.00

Note: Rear Stabilizers are required and counterweights are recommended when using the tree spade

TREE SPADE

BOBCAT LOADER ATTACHMENT

DEALER INSTALLED ACCESSORIES – ORDER FROM SALES

| PART NUMBER | DESCRIPTION | SLP IN US \$ |
|-------------|-------------|--------------|
|-------------|-------------|--------------|

(ALL LOADER SERIES)

7152662 ACD CONVERSION KIT, 7-PIN \$299.00

7152663 PENDANT CONTROL KIT, 3-BLADE..... \$570.00
 (For 24" through 36" Convertible Tree Spades) (No additional Control Kits needed.)

7152664 PENDANT CONTROL KIT, 4-BLADE..... \$642.00
 (For 44" Convertible Tree Spades) (No additional Control Kits needed.)
 (Will operate 4-Blade convertible Tree Spades)

(S130, S150, S160, S175, S185, S205) (S510, S530, S550, S570, S590, S595, S630, S650, S740, S750, S770, S850) (A770) (T140, T180, T190) (T450, T550, T590, T595, T630, T650, T740, T750, T770, T870)

6811449 QUICK-TACH REAR STABILIZER KIT PARTS \$ _____
 (Must also order mounting kit – see Rear Stabilizer price page for more information)

(S150, S160, S175, S185, S205, S220, S250, S300, S330) (A300) (T180, T190, T250, T300, T320)
6811455 COUNTERWEIGHT KIT, 300 LB..... PARTS \$ _____
 (Attaches to Rear Stabilizer and Mounting Kit.)

DESTINATION CHARGE/FUEL SURCHARGE

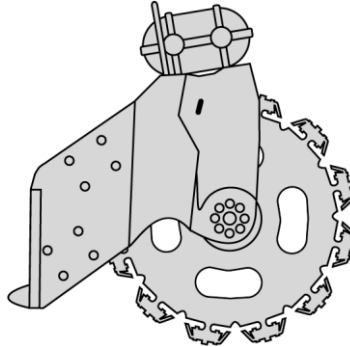
Refer to BobQuote or BobcatNET>>Other Resources>>Pricing Homepage for current Destination and Fuel Charges.

| ATTACHMENT | ASSEMBLY REQUIRED | INSTALLATION TIME (HOURS) |
|------------|-------------------|---------------------------|
|------------|-------------------|---------------------------|

| | | |
|--|------------------------------|------|
| Tree Spade..... | None..... | - |
| Pendant Control, 3-Blade & 4-Blade | Install Pendant Control..... | 0.25 |
| ACD Conversion Kit, 7-Pin | Install Conversion Kit..... | 0.25 |

TRENCH COMPACTOR

BOBCAT LOADER ATTACHMENT



QUICK SPECS

Operating Weight..... 1400 lbs.
 Height..... 59"
 Length..... 57"
 Width..... 48"

| PART NUMBER | ATTACHMENT DESCRIPTION | SLP IN US \$ |
|-------------|------------------------|--------------|
|-------------|------------------------|--------------|

(S130, S150, S160, S175, S185, S205) (S450, S510, S530, S550, S570, S590, S595, S630, S650, S740, S750, S770) (A770) (T140, T180, T190) (T450, T550, T590, T595, T630, T650, T740, T750, T770)
6905277 **TRENCH COMPACTOR..... \$9,431.00**
 (Comes standard with a 4 1/2" Pad and compacts trenches up to 8" wide)
 (Wheel-type vibratory compactor)

| PART NUMBER | DEALER INSTALLED ACCESSORIES – ORDER FROM PARTS DESCRIPTION | PARTS | \$ |
|-------------|---|-------|----|
|-------------|---|-------|----|

For current Dealer Installed Accessories pricing, reference BobQuote or Dealer Parts Department.

6905338 **8" WIDE PAD KIT..... PARTS \$_____**
 (Compacts Trenches up to 12" Wide) (Qty. 12)
 (Ship Weight 160 lbs.)

DESTINATION CHARGE/FUEL SURCHARGE

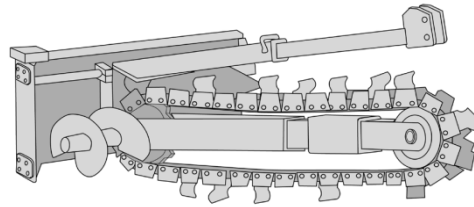
Refer to BobQuote or BobcatNET>>Other Resources>>Pricing Homepage for current Destination and Fuel Charges.

| ATTACHMENT | ASSEMBLY REQUIRED | INSTALLATION TIME (HOURS) |
|------------|-------------------|---------------------------|
|------------|-------------------|---------------------------|

Trench CompactorNone..... -

TRENCHER

BOBCAT LOADER ATTACHMENT



QUICK SPECS

| | <u><i>LT112</i></u> | <u><i>LT113</i></u> | <u><i>LT213</i></u> | <u><i>LT313</i></u> <i>3' Depth</i> |
|---------------------------------------|--|--|--|--|
| Operating Weight (without teeth)..... | 613 lbs. | 638 lbs. | 725 lbs. | 955 lbs. |
| Flow Range..... | 9-15 gpm | 9-15 gpm | 11-18 gpm | 15-23 gpm |
| Maximum Operating Pressure | 3000 psi | 3000 psi | 3300 psi | 3300 psi |
| Frame Width (std. equipment)..... | 36" | 36" | 56" | 56" |
| Trenching Widths Available..... | 4" to 8" | 4" to 8" | 4" to 8" | 6" to 12" |
| Side Shift Travel..... | 16.1" | 16.1" | 23.1" | 23.1" |
| Auger Diameter | 12" ♦ | 12" ♦ | 12" ♦ | 14" ♦ |
| Auger Clearance | 13.8-15.8" | 13.8-15.8" | 13.8-15.8" | 24-27" |
| Dig Depth @ 60 degrees..... | 2' | 3' | 3' | 3' |
| Overall Length..... | 60.7" | 74" | 74" | 79.5" |
| Standard Boom Length..... | 39.4" | 52.5" | 52.5" | 55.5" |
| | <u><i>LT313</i></u> <i>4' Depth</i> | <u><i>LT414</i></u> <i>4' Depth</i> | <u><i>LT414</i></u> <i>5' Depth</i> | <u><i>LT405</i></u> |
| Operating Weight (without teeth)..... | 980 lbs. | 1181 lbs. | 1218 lbs. | 1520 lbs. |
| Flow Range..... | 15-23 gpm | 26-40 gpm | 26-40 gpm | 26-40 gpm |
| Maximum Operating Pressure | 3300 psi | 3300 psi | 3300 psi | 3300 psi |
| Frame Width (std. equipment)..... | 56" | 56.25" | 56.25" | 65" |
| Trenching Widths Available..... | 6" to 12" | 6" to 12" | 6" to 8" | 6" to 12" |
| Side Shift Travel..... | 23.1" | 21.8" | 21.8" | 26" |
| Auger Diameter | 14" ♦ | 12 to 14.25" ♣ | 12 to 14.25" ♣ | 12" * |
| Auger Clearance | 24-27" | 23.4-26.4" | 23.4-26.4" | 19" |
| Dig Depth @ 60 degrees..... | 4' | 50" | 62" | 4'-5' |
| Overall Length..... | 89.5" | 90" | 104" | 105" |
| Standard Boom Length..... | 65.5" | 65" | 79" | 63" |

♦ Single Removable Auger ♣ Tapered Removable Auger * Dual Augers

TRENCHER

BOBCAT LOADER ATTACHMENT

| PART NUMBER | LT112 TRENCHER ATTACHMENT | SLP IN US \$ |
|-------------|---------------------------|--------------|
|-------------|---------------------------|--------------|

| | | |
|--|---|-------------------|
| (MT50, MT52, MT55, MT85) (\$70) | | |
| M7011 | LT112 TRENCHER | \$3,659.00 |
| | (Includes mounting frame, hoses, couplers, 2' depth, manual sideshift, 4" trench cleaner) (Can only order one factory installed chain option per trencher model) | |
| | <i>2' Chain Options are 1.654" Double Standard (DS) Anti-Back Flex (ABF)</i> | |
| M7011-R01-C02 | 2' X 4" CUP TEETH, SINGLE STANDARD PATTERN | \$481.00 |
| M7011-R01-C01 | 2' X 4" CUP TEETH, DOUBLE STANDARD PATTERN | \$587.00 |
| M7011-R01-C03 | 2' X 4" CUP & CARBIDE TEETH, DOUBLE STANDARD PATTERN | \$1,073.00 |
| M7011-R01-C05 | 2' X 4" SHARK/CUP TEETH IN DOUBLE STANDARD PATTERN | \$713.00 |
| M7011-R01-C06 | 2' X 6" SHARK/CUP TEETH IN DOUBLE STANDARD PATTERN | \$898.00 |

| PART NUMBER | DEALER INSTALLED ACCESSORIES – ORDER FROM SALES | SLP IN US \$ |
|-------------|---|--------------|
|-------------|---|--------------|

| | | |
|--|--|-------------------|
| <i>LT112 Chain Configuration Accessories (Replacement Chain - Dealer Installed)</i> | | |
| <i>Chains are 1.654" Double Standard (DS) Anti-Back Flex (ABF)</i> | | |
| 6959315 | 2' X 4" CUP TEETH, SINGLE STANDARD PATTERN | \$471.00 |
| | (Ship Weight 76 lbs.) | |
| 6959323 | 2' X 4" CUP TEETH, DOUBLE STANDARD PATTERN | \$565.00 |
| | (Ship Weight 85 lbs.) | |
| 6959333 | 2' X 4" CUP & CARBIDE TEETH, DOUBLE STANDARD PATTERN | \$1,068.00 |
| | (Ship Weight 91 lbs.) | |
| 7209862 | 2' X 4" SHARK TOOTH/CUP TEETH, DOUBLE STANDARD PATTERN | \$623.00 |
| 7209863 | 2' X 6" SHARK TOOTH/CUP TEETH, DOUBLE STANDARD PATTERN | \$690.00 |
| 6959317 | 3' X 4" CUP TEETH, SINGLE STANDARD PATTERN | \$534.00 |
| | (Must also order Boom Guide Assembly p/n 6959248) (Ship Weight 100 lbs.) | |
| 6959335 | 3' X 6" CUP TEETH, SINGLE STANDARD PATTERN | \$565.00 |
| | (Must also order Boom Guide Assembly p/n 6959248) (Ship Weight 113 lbs.) | |
| 6959321 | 3' X 4" CUP TEETH, DOUBLE STANDARD PATTERN | \$598.00 |
| | (Must also order Boom Guide Assembly p/n 6959248) (Ship Weight 115 lbs.) | |
| 6959319 | 3' X 4" CUP & CARBIDE TEETH, DOUBLE STANDARD PATTERN | \$1,162.00 |
| | (Must also order Boom Guide Assembly p/n 6959248) (Ship Weight 115 lbs.) | |

| PART NUMBER | DEALER INSTALLED ACCESSORIES – ORDER FROM PARTS | |
|-------------|---|--|
|-------------|---|--|

| | | |
|--|--|-----------------------|
| <i>For current Dealer Installed Accessories pricing, reference BobQuote or Dealer Parts Department.</i> | | |
| 6959248 | BOOM GUIDE ASSEMBLY | PARTS \$ _____ |
| | (Needed for 3' dig depth) (Also required (2) ¾" bolts # 84G3712 additional 1' chain, and additional teeth or order 3' chain configuration from LT112 accessories) | |
| 6705531 | CARBIDE TOOTH KIT | PARTS \$ _____ |
| 6701918 | CUP TOOTH KIT | PARTS \$ _____ |
| 6959302 | DOUBLE STANDARD CHAIN | PARTS \$ _____ |
| | (No teeth attached) | |
| 6959301 | DOUBLE STANDARD CHAIN – 16P | PARTS \$ _____ |
| | (For additional 1' dig depth) | |
| 7110909 | SPACER KIT, 6" | PARTS \$ _____ |
| | (Used with cup teeth for 6" width) | |
| 7110910 | SPACER KIT, 8" | PARTS \$ _____ |
| | (Used with cup teeth for 8" width) | |
| 6806974 | TRENCH CLEANER ADAPTER, 6" | PARTS \$ _____ |
| | (Used with Trench Cleaner Kit) | |
| 6806975 | TRENCH CLEANER ADAPTER, 8" | PARTS \$ _____ |
| | (Used with Trench Cleaner Kit) | |

| | | |
|----------------------------------|----------------------------|--------------------------------------|
| Prices and Specifications | Loader Attachments | North American Suggested List Prices |
| Subject to Change Without Notice | All Prices in U.S. Dollars | 2019 Price Book |

| | |
|--|-----------------|
| Check BobcatNET Pricing Homepage for current Canadian exchange rate. | Page 131 of 151 |
|--|-----------------|

TRENCHER

BOBCAT LOADER ATTACHMENT

| PART NUMBER | LT113 TRENCHER ATTACHMENT | SLP IN US \$ |
|-------------|---------------------------|--------------|
|-------------|---------------------------|--------------|

| | | |
|---------------------------------------|--|-------------------|
| (MT50, MT52, MT55, MT85) (S70) | | |
| M7014 | LT113 TRENCHER (Includes mounting frame, hoses, couplers, 3' depth, manual sideshift, 4" trench cleaner) (Can only order one factory installed chain option per trencher model) 3' Chain Options are 1.654" Double Standard (DS) Anti-Back Flex (ABF) | \$3,893.00 |
| M7014-R01-C02 | 3' X 4" CUP TEETH, SINGLE STANDARD PATTERN | \$465.00 |
| M7014-R01-C04 | 3' X 6" CUP TEETH, SINGLE STANDARD PATTERN | \$496.00 |
| M7014-R01-C01 | 3' X 4" CUP TEETH, DOUBLE STANDARD PATTERN | \$529.00 |
| M7014-R01-C03 | 3' X 4" CUP & CARBIDE TEETH, DOUBLE STANDARD PATTERN .. | \$1,083.00 |
| M7014-R01-C06 | 3' X 4" SHARK/CUP TEETH IN DOUBLE STANDARD PATTERN | \$872.00 |
| M7014-R01-C07 | 3' X 6" SHARK/CUP TEETH IN DOUBLE STANDARD PATTERN | \$1,088.00 |
| | | |
| M7040 | TRENCEHR LT113 CII, MT85 (Includes mounting frame, hoses, couplers, 3' depth, manual sideshift, 4" trench cleaner) (Can only order one factory installed chain option per trencher model) 3' Chain Options are 1.654" Double Standard (DS) Anti-Back Flex (ABF) | \$3,893.00 |
| M7040-R01-C02 | 3' X 4" CUP TEETH, SINGLE STANDARD PATTERN | \$465.00 |
| M7040-R01-C04 | 3' X 6" CUP TEETH, SINGLE STANDARD PATTERN | \$496.00 |
| M7040-R01-C01 | 3' X 4" CUP TEETH, DOUBLE STANDARD PATTERN | \$529.00 |
| M7040-R01-C03 | 3' X 4" CUP & CARBIDE TEETH, DOUBLE STANDARD PATTERN .. | \$1,083.00 |
| M7040-R01-C06 | 3' X 4" SHARK/CUP TEETH IN DOUBLE STANDARD PATTERN | \$872.00 |
| M7040-R01-C07 | 3' X 6" SHARK/CUP TEETH IN DOUBLE STANDARD PATTERN | \$1,088.00 |

| PART NUMBER | DEALER INSTALLED ACCESSORIES – ORDER FROM SALES | SLP IN US \$ |
|-------------|---|--------------|
|-------------|---|--------------|

| | | |
|--|---|-------------------|
| <u>LT113 Chain Configuration Accessories (Replacement Chain - Dealer Installed)</u> | | |
| <i>Chains are 1.654" Double Standard (DS) Anti-Back Flex (ABF)</i> | | |
| 6959317 | 3' X 4" CUP TEETH, SINGLE STANDARD PATTERN (Ship Weight 100 lbs.) | \$534.00 |
| 6959335 | 3' X 6" CUP TEETH, SINGLE STANDARD PATTERN (Ship Weight 113 lbs.) | \$565.00 |
| 6959321 | 3' X 4" CUP TEETH, DOUBLE STANDARD PATTERN (Ship Weight 115 lbs.) | \$598.00 |
| 6959319 | 3' X 4" CUP & CARBIDE TEETH, DOUBLE STANDARD PATTERN (Ship Weight 115 lbs.) | \$1,162.00 |
| 7209864 | 3' X 4" SHARK TOOTH/CUP TEETH, DOUBLE STANDARD PATTERN | \$782.00 |
| 7209865 | 3' X 6" SHARK TOOTH/CUP TEETH, DOUBLE STANDARD PATTERN | \$914.00 |

TRENCHER

BOBCAT LOADER ATTACHMENT

| PART NUMBER | DEALER INSTALLED ACCESSORIES – ORDER FROM PARTS DESCRIPTION |
|-------------|---|
|-------------|---|

For current Dealer Installed Accessories pricing, reference BobQuote or Dealer Parts Department.

| | | | |
|----------------|--|-------|----------|
| 6705531 | CARBIDE TOOTH KIT PARTS (Ship Weight 16 lbs.) | PARTS | \$ _____ |
| 6701918 | CUP TOOTH KIT PARTS (Ship Weight 13 lbs.) | PARTS | \$ _____ |
| 7110909 | SPACER KIT, 6" PARTS (Used with cup teeth for 6" width) (Ship weight 2 lbs.) | PARTS | \$ _____ |
| 7110910 | SPACER KIT, 8" PARTS (Used with cup teeth for 8" width) (Ship weight 11 lbs.) | PARTS | \$ _____ |
| 6806974 | TRENCH CLEANER ADAPTER, 6" PARTS (Used with Trench Cleaner Kit) (Ship Weight 3 lbs.) | PARTS | \$ _____ |
| 6806975 | TRENCH CLEANER ADAPTER, 8" PARTS (Used with Trench Cleaner Kit) (Ship Weight 4 lbs.) | PARTS | \$ _____ |

TRENCHER

BOBCAT LOADER ATTACHMENT

| PART NUMBER | LT213 TRENCHER ATTACHMENT | SLP IN US \$ |
|-------------|---------------------------|--------------|
|-------------|---------------------------|--------------|

(S100, S130) (T110, T140) (S450) (T450)

| | | |
|--|---|-------------------|
| M7013 | LT213 TRENCHER (Includes 3' depth, manual sideshift, and 4" trench cleaner) (Can only order one factory installed chain option per trencher model) | \$3,918.00 |
| <i>Chains are 1.654" Double Standard (DS) Anti-Back Flex (ABF)</i> | | |
| M7013-R01-C02 | 3' X 4" CUP TEETH, SINGLE STANDARD PATTERN | \$465.00 |
| M7013-R01-C04 | 3' X 6" CUP TEETH, SINGLE STANDARD PATTERN | \$496.00 |
| M7013-R01-C01 | 3' X 4" CUP TEETH, DOUBLE STANDARD PATTERN | \$529.00 |
| M7013-R01-C03 | 3' X 4" CUP & CARBIDE TEETH, DOUBLE STANDARD PATTERN | \$1,083.00 |
| M7013-R01-C06 | 3' X 4" SHARK/CUP TEETH IN DOUBLE STANDARD PATTERN | \$872.00 |
| M7013-R01-C07 | 3' X 6" SHARK/CUP TEETH IN DOUBLE STANDARD PATTERN | \$1,014.00 |

| PART NUMBER | DEALER INSTALLED ACCESSORIES – ORDER FROM SALES | SLP IN US \$ |
|-------------|---|--------------|
|-------------|---|--------------|

LT 213 Chain Configuration Accessories (Replacement Chain - Dealer Installed)
Chains are 1.654" Double Standard (DS) Anti-Back Flex (ABF)

| | | |
|---|---|-------------------|
| 6959317 | 3' X 4" CUP TEETH, SINGLE STANDARD PATTERN (Ship Weight 100 lbs.) | \$534.00 |
| 6959335 | 3' X 6" CUP TEETH, SINGLE STANDARD PATTERN (Ship Weight 113 lbs.) | \$565.00 |
| 6959321 | 3' X 4" CUP TEETH, DOUBLE STANDARD PATTERN | \$598.00 |
| 6959319 | 3' X 4" CUP & CARBIDE TEETH, DOUBLE STANDARD PATTERN (Ship Weight 115 lbs.) | \$1,162.00 |
| 7209864 | 3' X 4" SHARK TOOTH/CUP TEETH, DOUBLE STANDARD PATTERN | \$782.00 |
| 7209865 | 3' X 6" SHARK TOOTH/CUP TEETH, DOUBLE STANDARD PATTERN | \$914.00 |
| 7274348 | HYDRAULIC SIDE SHIFT KIT | \$735.00 |
| <small>(Hydraulically side shift the trencher boom 23.1") (Ship Weight 58 lbs.) (1.5 hour install time)</small> | | |

| PART NUMBER | DEALER INSTALLED ACCESSORIES – ORDER FROM PARTS | SLP IN US \$ |
|-------------|---|--------------|
|-------------|---|--------------|

For current Dealer Installed Accessories pricing, reference BobQuote or Dealer Parts Department.

| | | |
|----------------|--|-----------------------|
| 6705531 | CARBIDE TOOTH KIT (Ship Weight 16 lbs.) | PARTS \$ _____ |
| 6701918 | CUP TOOTH KIT (Ship Weight 13 lbs.) | PARTS \$ _____ |
| 6959303 | DOUBLE STANDARD CHAIN (No teeth attached) (Ship Weight 64 lbs.) | PARTS \$ _____ |
| 7110909 | SPACER KIT, 6" (Used with cup teeth for 6" width) (Ship weight 2 lbs.) | PARTS \$ _____ |
| 7110910 | SPACER KIT, 8" (Used with cup teeth for 8" width) (Ship weight 11 lbs.) | PARTS \$ _____ |
| 6806974 | TRENCH CLEANER ADAPTER, 6" (Used with Trench Cleaner Kit) (Ship Weight 3 lbs.) | PARTS \$ _____ |
| 6806975 | TRENCH CLEANER ADAPTER, 8" (Used with Trench Cleaner Kit) (Ship Weight 4 lbs.) | PARTS \$ _____ |

TRENCHER

BOBCAT LOADER ATTACHMENT

| PART NUMBER | LT313 TRENCHER ATTACHMENT | SLP IN US \$ |
|-------------|---------------------------|--------------|
|-------------|---------------------------|--------------|

(S130, S150, S160, S175, S185, S205) (S450, S510, S530, S550, S570, S590, S595, S630, S650, S740, S750, S770) (A770) (T140, T180, T190) (T450, T550, T590, T595, T630, T650)

M7015 LT313 TRENCHER **\$4,726.00**
 (Includes 3' depth, manual sideshift, 6" trench cleaner)
 (Can only order one factory installed chain option per trencher model)

All chains are 2.0" Double Standard (DS) Anti-Back Flex (ABF)

| | | |
|----------------------|--|-------------------|
| M7015-R01-C13 | NO CHAIN OPTION..... | n/c |
| M7015-R01-C02 | 3' X 6" CUP TEETH IN SINGLE STANDARD PATTERN | \$656.00 |
| M7015-R01-C05 | 3' X 8" CUP TEETH IN SINGLE STANDARD PATTERN | \$692.00 |
| M7015-R01-C01 | 3' X 6" CUP TEETH IN DOUBLE STANDARD PATTERN..... | \$1,088.00 |
| M7015-R01-C04 | 3' X 6" SHARK/CUP TEETH IN DOUBLE STANDARD PATTERN | \$1,098.00 |
| M7015-R01-C03 | 3' X 6" CUP & CARBIDE TEETH IN DOUBLE STANDARD PATTERN | \$1,780.00 |
| M7015-R01-C06 | 3' X 8" CUP & CARBIDE TEETH IN DOUBLE STANDARD PATTERN | \$1,823.00 |
| M7015-R01-C14 | 3' X 8" SHARK/CUP TEETH IN DOUBLE STANDARD PATTERN | \$1,326.00 |

*The LT313 is assembled as a 4' dig depth when ordering the 4' chain option
(Boom Guide included with 4' factory installed chain)*

| | | |
|----------------------|--|-------------------|
| M7015-R01-C08 | 4' X 6" CUP TEETH IN SINGLE STANDARD PATTERN | \$809.00 |
| M7015-R01-C11 | 4' X 8" CUP TEETH IN SINGLE STANDARD PATTERN | \$908.00 |
| M7015-R01-C07 | 4' X 6" CUP TEETH IN DOUBLE STANDARD PATTERN..... | \$999.00 |
| M7015-R01-C10 | 4' X 6" SHARK/CUP TEETH IN DOUBLE STANDARD PATTERN | \$1,289.00 |
| M7015-R01-C09 | 4' X 6" CUP & CARBIDE TEETH IN DOUBLE STANDARD PATTERN | \$1,997.00 |
| M7015-R01-C12 | 4' X 8" CUP & CARBIDE TEETH IN DOUBLE STANDARD PATTERN | \$2,134.00 |
| M7015-R01-C15 | 4' X 8" SHARK/CUP TEETH IN DOUBLE STANDARD PATTERN | \$1,463.00 |

| PART NUMBER | DEALER INSTALLED ACCESSORIES – ORDER FROM SALES | SLP IN US \$ |
|-------------|---|--------------|
|-------------|---|--------------|

LT313 Chain Configuration Accessories (Replacement Chain - Dealer Installed)

All chains are 2.0" Double Standard (DS) Anti-Back Flex (ABF).

| | | |
|----------------|--|-------------------|
| 6970056 | 3' X 6" CUP TEETH IN SINGLE STANDARD PATTERN | \$682.00 |
| | (Ship Weight 143 lbs.) | |
| 6970057 | 3' X 8" CUP TEETH IN SINGLE STANDARD PATTERN | \$682.00 |
| | (Ship Weight 151 lbs.) | |
| 6959240 | 3' X 6" CUP TEETH IN DOUBLE STANDARD PATTERN..... | \$1,068.00 |
| | (Ship Weight 195 lbs.) | |
| 6970058 | 3' X 6" CUP & CARBIDE TEETH IN DOUBLE STANDARD PATTERN | \$1,759.00 |
| | (Ship Weight 228 lbs.) | |
| 7100638 | 3' X 6" SHARK TOOTH/CUP TEETH IN DOUBLE STANDARD PATTERN | \$1,162.00 |
| | (Ship Weight 153 lbs.) | |
| 6970059 | 3' X 8" CUP & CARBIDE TEETH IN DOUBLE STANDARD PATTERN | \$1,758.00 |
| | (Ship Weight 236 lbs.) | |
| 7209866 | 3' X 8" SHARK TOOTH/CUP TEETH, DOUBLE STANDARD PATTERN..... | \$1,114.00 |
| 6808242 | 4' X 6" CUP TEETH IN SINGLE STANDARD PATTERN | \$793.00 |
| | (Must also order Boom Guide Assembly) (Ship Weight 168 lbs.) | |
| 6808243 | 4' X 8" CUP TEETH IN SINGLE STANDARD PATTERN | \$819.00 |
| | (Must also order Boom Guide Assembly) (Ship Weight 178 lbs.) | |

TRENCHER

BOBCAT LOADER ATTACHMENT

| PART NUMBER | DEALER INSTALLED ACCESSORIES – ORDER FROM SALES DESCRIPTION | SLP IN US \$ |
|-------------|---|--------------|
|-------------|---|--------------|

LT313 TRENCHER (CONTINUED)

| | | |
|---------|--|------------|
| 6959238 | 4' X 6" CUP TEETH IN DOUBLE STANDARD PATTERN..... (Must also order Boom Guide Assembly) (Ship Weight 178 lbs.) | \$1,098.00 |
| 7100628 | 4' X 6" SHARK TOOTH/CUP TEETH IN DOUBLE STANDARD PATTERN (Must also order Boom Guide Assembly) (Ship Weight 168 lbs.) | \$1,336.00 |
| 6808244 | 4' X 6" CUP & CARBIDE TEETH IN DOUBLE STANDARD PATTERN (Must also order Boom Guide Assembly) (Ship Weight 268 lbs.) | \$1,949.00 |
| 6808245 | 4' X 8" CUP & CARBIDE TEETH IN DOUBLE STANDARD PATTERN (Must also order Boom Guide Assembly) (Ship Weight 278 lbs.) | \$2,076.00 |
| 7209867 | 4' X 8" SHARK TOOTH/CUP TEETH, DOUBLE STANDARD PATTERN..... | \$1,304.00 |
| 7274348 | HYDRAULIC SIDE SHIFT KIT (Hydraulically side shift the trencher boom 23.1") (Ship Weight 58 lbs.) (1.5 hour install time) | \$735.00 |

| PART NUMBER | DEALER INSTALLED ACCESSORIES – ORDER FROM PARTS DESCRIPTION |
|-------------|---|
|-------------|---|

For current Dealer Installed Accessories pricing, reference BobQuote or Dealer Parts Department.

| | | |
|---------|--|----------------|
| 6811684 | BOOM GUIDE ASSEMBLY (Needed for 4' dig depth) (Must also order (2) 3/4" bolts # 84G3712 and additional 1' chain from Bobcat Parts) | PARTS \$ _____ |
| 6809387 | CARBIDE TOOTH KIT (Ship Weight –160 lbs.) | PARTS \$ _____ |
| 6807925 | CUP TOOTH KIT (Ship Weight 24 lbs.) | PARTS \$ _____ |
| 6675594 | DOUBLE STANDARD CHAIN – 4' (No teeth) (Ship Weight 147 lbs.) | PARTS \$ _____ |
| 6970072 | DOUBLE STANDARD CHAIN – 10P (No teeth) (Ship Weight 147 lbs.) | PARTS \$ _____ |
| 7110911 | SPACER KIT (Used with Cup Teeth for 8" width) (Ship Weight 12 lbs.) (Single Pattern Chain requires 1 Spacer Kit. Double Pattern Chain requires 2 Kits.) | PARTS \$ _____ |
| 7110912 | SPACER KIT (Used with Cup Teeth for 10" width) (Ship Weight 26 lbs.) (Single Pattern Chain requires 1 Spacer Kit. Double Pattern Chain requires 2 Kits.) | PARTS \$ _____ |
| 7110913 | SPACER KIT (Used with Cup Teeth for 12" width) (Ship Weight 36 lbs.) (Single Pattern Chain requires 1 Spacer Kit. Double Pattern Chain requires 2 Kits.) | PARTS \$ _____ |
| 6809324 | SPACER KIT (Used with Cup/Carbide Teeth for 8" widths) (Ship Weight 25 lbs.) (Single Pattern Chain requires 1 Spacer Kit. Double Pattern Chain requires 2 Kits.) | PARTS \$ _____ |
| 6806975 | TRENCH CLEANER ADAPTER, 8" (Used with Trench Cleaner Kit) (Ship Weight 5 lbs.) | PARTS \$ _____ |
| 6806976 | TRENCH CLEANER ADAPTER, 10" (Used with Trench Cleaner Kit) (Ship Weight 7 lbs.) | PARTS \$ _____ |
| 6806977 | TRENCH CLEANER ADAPTER, 12" (Used with Trench Cleaner Kit) (Ship Weight 8 lbs.) | PARTS \$ _____ |

TRENCHER

BOBCAT LOADER ATTACHMENT

| PART NUMBER | DEALER INSTALLED ACCESSORIES – ORDER FROM SALES DESCRIPTION | SLP IN US \$ |
|-------------|---|--------------|
|-------------|---|--------------|

LT414 TRENCHER (CONTINUED)

| | | |
|---------|--|------------|
| 7109029 | 5' X 6" SHARK TOOTH/CUP TEETH IN DOUBLE STANDARD PATTERN (Ship Weight 175 lbs.) | \$1,789.00 |
| 7109022 | 5' X 6" CUP & CARBIDE TEETH IN DOUBLE STANDARD PATTERN (Ship Weight 274 lbs.) | \$2,589.00 |
| 7109041 | 5' X 8" CUP & CARBIDE TEETH IN DOUBLE STANDARD PATTERN (Ship Weight 292 lbs.) | \$2,302.00 |

| PART NUMBER | DEALER INSTALLED ACCESSORIES – ORDER FROM PARTS DESCRIPTION |
|-------------|---|
|-------------|---|

For current Dealer Installed Accessories pricing, reference BobQuote or Dealer Parts Department.

| | | |
|---------|--|----------|
| 6811684 | BOOM GUIDE ASSEMBLY PARTS (Needed for 5' dig depth) (Must also order (2) ¾" bolts # 84G3712 and additional 1' chain from Bobcat Parts) | \$ _____ |
| 6809387 | CARBIDE TOOTH KIT PARTS (Ship Weight –160 lbs.) | \$ _____ |
| 6807925 | CUP TOOTH KIT PARTS (Ship Weight 24 lbs.) | \$ _____ |
| 6675594 | DOUBLE STANDARD CHAIN – 4' PARTS (No teeth) (Ship Weight 147 lbs.) | \$ _____ |
| 7108604 | DOUBLE STANDARD CHAIN – 84P PARTS | \$ _____ |
| 7110911 | SPACER KIT PARTS (Used with Cup Teeth for 8" width) (Ship Weight 12 lbs.) | \$ _____ |
| 7110912 | SPACER KIT PARTS (Used with Cup Teeth for 10" width) (Ship Weight 26 lbs.) | \$ _____ |
| 7110913 | SPACER KIT PARTS (Used with Cup/Carbide Teeth for 12" widths) (Ship Weight 36 lbs.) | \$ _____ |
| 6806975 | TRENCH CLEANER ADAPTER, 8" PARTS (Used with Trench Cleaner Kit) (Ship Weight 5 lbs.) | \$ _____ |
| 6806976 | TRENCH CLEANER ADAPTER, 10" PARTS (Used with Trench Cleaner Kit) (Ship Weight 7 lbs.) | \$ _____ |
| 6806977 | TRENCH CLEANER ADAPTER, 12" PARTS (Used with Trench Cleaner Kit) (Ship Weight 8 lbs.) | \$ _____ |

TRENCHER

BOBCAT LOADER ATTACHMENT

| PART NUMBER | LT405 TRENCHER ATTACHMENT | SLP IN US \$ |
|-------------|----------------------------------|--------------|
|-------------|----------------------------------|--------------|

(S185H, S205H) (S550H, S570H, S590H, S595H, S630H, S650H, S740H, S750H, S770H)
 (A770H) (T180H, T190H) (T550H, T590H, T595H, T630H, T650H, T740H, T750H, T770H)
6906100 **LT405 TRENCHER** **\$11,455.00**
 (Includes 3' – 4' adjustable boom setup at 4', double standard ABF chain, Hydraulic Sideshift, 6" trench cleaner, hoses and couplers) (Must also order teeth)

LT405 Chain, Tooth and Spacer Configurations

| <u>Width</u> | <u>Depth</u> | <u>Kits Needed for Single Standard Pattern</u> |
|--------------|--------------|--|
| 6" | 3', 4', 5' | 1 Cup Tooth Kit |
| 6" Carbide | 3', 4', 5' | 1 Carbide Tooth Kit |
| 8" or 12" | 3' or 4' | 1 Cup Tooth Kit, 1 Spacer Kit |

| PART NUMBER | DEALER INSTALLED ACCESSORIES – ORDER FROM PARTS |
|-------------|--|
|-------------|--|

For current Dealer Installed Accessories pricing, reference BobQuote or Dealer Parts Department.

| | | | |
|--------------------|---|--------------|-----------------|
| 6705673 | BOOM GUIDE ASSEMBLY | PARTS | \$ _____ |
| | (Needed for 5' dig depth) (Ship Weight 48 lbs.) | | |
| 6705668 | CUP TOOTH KIT | PARTS | \$ _____ |
| | (Ship Weight 75 lbs.) | | |
| 6705670 | CARBIDE TOOTH KIT, SIDE MOUNT | PARTS | \$ _____ |
| | (Ship Weight 105 lbs.) | | |
| 6653314 | DOUBLE STANDARD ABF CHAIN EXTENSION | PARTS | \$ _____ |
| | (For additional 1' dig depth) (Ship Weight 26 lbs.) | | |
| Piece Parts | DUAL 29" REPLACEMENT AUGER SET | | |
| | (Ship Weight 146 lbs.) | | |
| 6664975 | SINGLE STANDARD ABF CHAIN, 3' | PARTS | \$ _____ |
| | (No teeth) (Ship Weight 105 lbs.) | | |
| 6651879 | SINGLE STANDARD ABF CHAIN EXTENSION | PARTS | \$ _____ |
| | (For additional 1' dig depth) (Ship Weight 20 lbs.) | | |
| 6705669 | SPACER KIT | PARTS | \$ _____ |
| | (Ship Weight 138 lbs.) | | |
| 6573592 | TRENCH CLEANER ADAPTER, 8" | PARTS | \$ _____ |
| | (Ship Weight 5 lbs.) | | |
| 6573589 | TRENCH CLEANER ADAPTER, 12" | PARTS | \$ _____ |
| | (Ship Weight 10 lbs.) | | |

TRENCHER

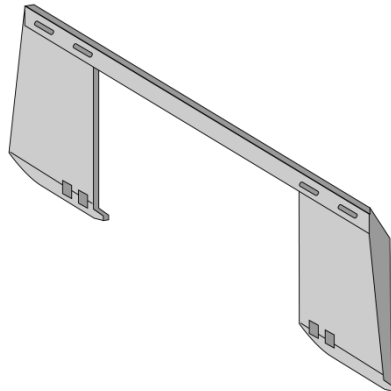
BOBCAT LOADER ATTACHMENT

DESTINATION CHARGE/FUEL SURCHARGE
 Refer to BobQuote or BobcatNET>>Other Resources>>Pricing Homepage for current Destination and Fuel Charges.

| ATTACHMENT | ASSEMBLY REQUIRED | INSTALLATION TIME (HOURS) |
|--|---------------------------------------|------------------------------|
| LT112 | None..... | - |
| LT113..... | None..... | - |
| LT213..... | None..... | - |
| LT313..... | None..... | - |
| LT414..... | None..... | - |
| LT405..... | Install teeth..... | 1.5 |
| Chain Guide Kit..... | Install chain guide for 5' depth..... | 0.5 |
| Side Shift Kit for LT213 & LT313 | Install cylinder | 1.5 |

UTILITY FRAME

BOBCAT LOADER ATTACHMENT



QUICK SPECS

| | <u>S100 – S650</u> | <u>S630-T870</u> |
|---------------------|--------------------|------------------|
| Ship Weight..... | 46 lbs. | 60 lbs. |
| Overall Width..... | 45.2" | 45.2" |
| Overall Height..... | 19.0" | 19.0" |

| PART NUMBER | ATTACHMENT DESCRIPTION | SLP IN US \$ |
|-------------|------------------------|--------------|
|-------------|------------------------|--------------|

For current Attachment pricing, reference BobQuote or Dealer Parts Department.

(S100, S130, S150, S160, S175, S185, S205) (S450, S510, S530, S550, S570, S590, S595, S630, S650)
 (T110, T140, T180, T190) (T450, T550, T590, T595)

6731114 **BOB –TACH UTILITY FRAME.....** **PARTS \$__**
 (To convert Attachments to Bob-Tach Mount, weld to flat surface)

(S630, S650, S740, S750, S770, S850) (A770) (T630, T650, T740, T750, T770, T870)
6731112 **BOB –TACH UTILITY FRAME.....** **PARTS \$__**
 (To convert Attachments to Bob-Tach Mount, weld to flat surface)

DESTINATION CHARGE/FUEL SURCHARGE

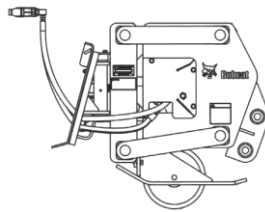
Refer to BobQuote or BobcatNET>>Other Resources>>Pricing Homepage for current Destination and Fuel Charges.

| ATTACHMENT | ASSEMBLY REQUIRED | INSTALLATION TIME (HOURS) |
|------------|-------------------|---------------------------|
|------------|-------------------|---------------------------|

Utility FrameNone..... -

VIBRATORY PLOW

BOBCAT LOADER ATTACHMENT



QUICK SPECS

Operating Weight 520 lbs.
 Overall Width 36.0"
 Overall Height 31.1"
 Overall Length 36.6"
 Hydraulic Flow Range 10-14 gpm

| PART NUMBER | ATTACHMENT DESCRIPTION | SLP IN US \$ |
|-------------|------------------------|--------------|
|-------------|------------------------|--------------|

(MT50, MT52, MT55, MT85)

| | | |
|----------------|---|-------------------|
| 7100484 | VP12 VIBRATORY PLOW (Includes blade mounting pins) (Must also order blade) | \$8,677.00 |
| 7100491 | 3/8" BLADE, 6-12" DEPTH WITH 1" CLEVIS (0.375 inches thick) (The blade is used to pull the cable pull, pipe pull, or bullet option) (Recommended for soft/loose soils only) | \$206.00 |
| 7100493 | 3/8" BLADE, 12-18" DEPTH WITH 1" CLEVIS (0.375 inches thick) (The blade is used to pull the cable pull, pipe pull, or bullet option) (Recommended for soft/loose soils only) | \$22.00 |
| 7100495 | 1/2" CHUTE BLADE, 6-12" DEPTH (0.5 inches thick) (The blade with chute is used for laying cables. Feed the cable through the opening in the top of the chute and out the bottom of the blade. The cable can be either positioned on the ground next to where it will be buried or a spool of cable can be put on the reel mount) (Recommended for soft/loose soils only) | \$349.00 |
| 7100497 | 1/2" CHUTE BLADE, 12-18" DEPTH (0.5 inches thick) (The blade with chute is used for laying cables. Feed the cable through the opening in the top of the chute and out the bottom of the blade. The cable can be either positioned on the ground next to where it will be buried or a spool of cable can be put on the reel mount) (Recommended for soft/loose soils only) | \$375.00 |

| PART NUMBER | DEALER INSTALLED ACCESSORIES – ORDER FROM PARTS DESCRIPTION |
|-------------|---|
|-------------|---|

For current Dealer Installed Accessories pricing, reference BobQuote or Dealer Parts Department.

| | | |
|----------------|---|--|
| 7100592 | BULLET, 2" PARTS \$ _____ (THIS OPTION IS USED TO CREATE A 51MM (2 INCH) DIAMETER HOLE AS IT IS PULLED BEHIND THE BLADE. A CABLE CAN BE WRAPPED THROUGH THE CLEVIS PIN AND SECURED TO PULL THE CABLE INTO THE HOLE CREATED BY THE BULLET) | |
| 7102514 | CABLE PULL KIT, 0.50-0.99" DIAMETER PARTS \$ _____ (INCLUDES 20 IN. GRIP LENGTH, 1 ROTATING EYE) (WHEN USING, COMPRESS THE CABLE SHIELD AND INSERT THE CABLE INSIDE THE SHIELD FULLY. AS THE CABLE SHIELD STRETCHES, IT BECOMES SNUG AROUND THE CABLE) | |

VIBRATORY PLOW

BOBCAT LOADER ATTACHMENT

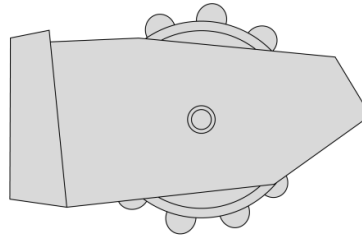
- 7100498** **CABLE PULL KIT, 1.00-1.24" DIAMETER** PARTS \$ _____
(INCLUDES 20 IN. GRIP LENGTH, 1 ROTATING EYE)
 (WHEN USING, COMPRESS THE CABLE SHIELD AND INSERT THE CABLE INSIDE THE SHIELD FULLY.
 AS THE CABLE SHIELD STRETCHES, IT BECOMES SNUG AROUND THE CABLE)
- 7102515** **CABLE PULL KIT, 1.25-1.49" DIAMETER** PARTS \$ _____
(INCLUDES 20 IN. GRIP LENGTH, 1 ROTATING EYE)
 (WHEN USING, COMPRESS THE CABLE SHIELD AND INSERT THE CABLE INSIDE THE SHIELD FULLY.
 AS THE CABLE SHIELD STRETCHES, IT BECOMES SNUG AROUND THE CABLE)
- 7100499** **PIPE PULL KIT, 1.00-1.50" PIPE** PARTS \$ _____
(0.375 Inches) (When used, insert the plastic pipe over the tapered sleeve. By hand,
 Thread the tapered sleeve into the pipe)
- 7100501** **CABLE REEL MOUNT KIT.....** PARTS \$ _____
(Accepts up to 12" diameter reel) (Use with Chute Blades, Used to hold one or two cable
 Spools to feed the cable into the chute blade)

DESTINATION CHARGE/FUEL SURCHARGE
 Refer to BobQuote or BobcatNET>>Other Resources>>Pricing Homepage for current Destination and Fuel Charges.

| | ASSEMBLY REQUIRED | INSTALLATION |
|-------------------|--------------------------|---------------------|
| ATTACHMENT | | TIME (HOURS) |

Vibratory Plow..... Attach Blade -

VIBRATORY ROLLER BOBCAT LOADER ATTACHMENT



QUICK SPECS

| | <u>48"</u> | <u>73"</u> | <u>80"</u> |
|---------------------------------------|---------------------|---------------------|------------------|
| Operating Weight (Padded/Smooth)..... | 1778 lbs./1788 lbs. | 2189 lbs./2208 lbs. | 2320 lbs. |
| Drum Width..... | 48" | 73" | 80" |
| Overall Width | 60.5" | 79.0" | 86.0" |
| Drum Offset..... | 9" to right | Centered | Centered |
| Covers Right Side Tires on..... | 66" wide loaders | 72" wide loaders | 80" wide loaders |
| Drum Diameter (Padded/Smooth) | 25.4"/26.0" | 25.4"/26.0" | 26.0" |
| Number of Pads (Padded Drum)..... | 78 | 102 | 0 |
| Drum Oscillation | ± 12° | ± 7.5° | ± 7.5° |
| Dynamic Force | 10519 lbs. @ 17 gpm | 9905 lbs. @ 20 gpm | |
| | 14244 lbs. @ 20 gpm | 14263 lbs. @ 24 gpm | |
| Frequency | 2448 vpm @ 17 gpm | 2401 vpm @ 20 gpm | |
| | 2879 vpm @ 20 gpm | 2882 vpm @ 24 gpm | |

| PART NUMBER | ATTACHMENT DESCRIPTION | SLP IN US \$ |
|-------------|------------------------|--------------|
|-------------|------------------------|--------------|

(S130*, S150, S160, S175, S185, S205) (S450, S510, S530, S550, S570, S590, S595)
(T140, T180, T190) (T450, T550, T590, T595)

| | | |
|---------|---|------------|
| 7165403 | 48" VIBRATORY ROLLER WITH PADDED DRUM | \$9,035.00 |
| 7165404 | 48" VIBRATORY ROLLER WITH SMOOTH DRUM | \$8,754.00 |

(S205) (S550, S570, S590, S595, S630, S650, S740, S750, S770, S850) (A770)
(T550, T590, T595, T630, T650, T740, T750, T770, T870)

| | | |
|---------|---|-------------|
| 7165401 | 73" VIBRATORY ROLLER WITH PADDED DRUM | \$10,286.00 |
| 7165402 | 73" VIBRATORY ROLLER WITH SMOOTH DRUM | \$10,006.00 |

(S650, S740, S750, S770, S850) (A770) (T630, T650, T740, T750, T770, T870)

| | | |
|---------|---|-------------|
| 7165400 | 80" VIBRATORY ROLLER WITH SMOOTH DRUM | \$10,840.00 |
|---------|---|-------------|

| PART NUMBER | DEALER INSTALLED ACCESSORIES – ORDER FROM SALES DESCRIPTION | SLP IN US \$ |
|-------------|---|--------------|
|-------------|---|--------------|

Water Kit

NOTE: Water Kits are available for use with the Vibratory Roller attachments – see Water Kit page for details.

| DESTINATION CHARGE/FUEL SURCHARGE |
|---|
| Refer to BobQuote or BobcatNET>>Other Resources>>Pricing Homepage for current Destination and Fuel Charges. |

| ATTACHMENT | ASSEMBLY REQUIRED | INSTALLATION TIME (HOURS) |
|------------|-------------------|---------------------------|
|------------|-------------------|---------------------------|

| | | |
|--|----------------------------|--------------------------------------|
| Vibratory Roller | None..... | - |
| Prices and Specifications | Loader Attachments | North American Suggested List Prices |
| Subject to Change Without Notice | All Prices in U.S. Dollars | 2019 Price Book |
| Check BobcatNET Pricing Homepage for current Canadian exchange rate. | | Page 144 of 151 |

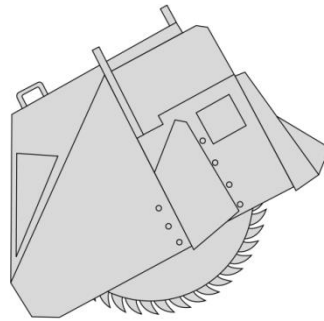
WATER KIT

BOBCAT LOADER ATTACHMENT

Nozzle Kit Install nozzles, hoses and clamps 1.0

WHEEL SAW

BOBCAT LOADER ATTACHMENT



QUICK SPECS

| | <u>WS18</u> | <u>WS24</u> |
|--|-------------|-------------|
| Overall Width | 68.5" | 68.5" |
| Overall Length | 74.8" | 83.9" |
| Overall Height | 65.0" | 76.0" |
| Weight (less Wheel and Trench Cleaner) | 1567 lbs. | 1865 lbs. |
| Hydraulic Side Shift | 25.6" | 25.6" |
| Hydraulic Flow Required | 25-40 GPM | 25-40 GPM |
| Trenching Depth | 6.0 – 18.0" | 8.0 – 24.0" |

| PART NUMBER | ATTACHMENT DESCRIPTION | SLP IN US \$ |
|----------------|---------------------------|--------------|
|----------------|---------------------------|--------------|

18" Wheel Saw with 3" Wheel

(Must order the two part numbers listed below—18" Wheel Saw and 3" Wheel)
(Must also order Attachment Control Kit—See Page 1)

(S185H, S205H) (S590H, S595H, S630H, S650H, S740H, S750H, S770H, S850, S850H)
(A770H) (T180H, T190H) (T550H, T590H, T595H, T630H, T650H, T740H, T750H, T770H, T870, T870H)

| | | |
|---------|-------------------------------------|-------------|
| 6729537 | WS18 WHEEL SAW | \$16,152.00 |
| 6729544 | 3" WHEEL | \$3,580.00 |
| | (Weight 650 lbs. Wheel Width 3.13") | |

Note: There is no Trench Cleaner available with the 3" Wheel.

18" Wheel Saw with 6" Wheel and 6" Trench Cleaner

(Must order the three part numbers listed below—18" Wheel Saw, 6" Wheel and 6" Trench Cleaner)
(Must also order Attachment Control Kit—See Page 1)

(S185H, S205H) (S590H, S595H, S630H, S650H, S740H, S750H, S770H, S850, S850H)
(A770H) (T180H, T190H) (T550H, T590H, T595H, T630H, T650H, T740H, T750H, T770H, T870, T870H)

| | | |
|---------|--------------------------------------|-------------|
| 6729537 | WS18 WHEEL SAW | \$16,152.00 |
| 6729546 | 6" WHEEL | \$3,850.00 |
| | (Weight 395 lbs., Wheel Width 6.25") | |
| 6729550 | 6" TRENCH CLEANER | \$1,304.00 |
| | (Weight 95 lbs.) | |

WHEEL SAW

BOBCAT LOADER ATTACHMENT

| PART NUMBER | ATTACHMENT DESCRIPTION | SLP IN US \$ |
|-------------|------------------------|--------------|
|-------------|------------------------|--------------|

24" Wheel Saw with 6" Wheel and 6" Trench Cleaner

(Must order the three part numbers listed below—24" Wheel Saw, 6" Wheel and 6" Trench Cleaner)
 (Must also order Attachment Control Kit—See Page 1)

(S650H, S740H, S750H, S770H, S850, S850H) (A770H) (T650H, T740H, T750H, T770H, T870, T870H)

| | | |
|---------|--|-------------|
| 6729566 | WS24 WHEEL SAW | \$18,655.00 |
| 6729573 | 6" WHEEL (Weight 585 lbs., Wheel Width 6.25") | \$4,551.00 |
| 6729577 | 6" TRENCH CLEANER (Weight 130 lbs.) | \$1,495.00 |

24" Wheel Saw with 8" Wheel and 8" Trench Cleaner

(Must order the three part numbers listed below—24" Wheel Saw, 8" Wheel and 8" Trench Cleaner)
 (Must also order Attachment Control Kit—See Page 1)

(S650H, S740H, S750H, S770H, S850, S850H) (A770H) (T650H, T740H, T750H, T770H, T870, T870H)

| | | |
|---------|--|-------------|
| 6729566 | WS24 WHEEL SAW | \$18,655.00 |
| 6729575 | 8" WHEEL:..... (Weight 618 lbs., Wheel Width 7.88") | \$5,280.00 |
| 6729579 | 8" TRENCH CLEANER (Weight 148 lbs.) | \$1,600.00 |

DESTINATION CHARGE/FUEL SURCHARGE

Refer to BobQuote or BobcatNET>>Other Resources>>Pricing Homepage for current Destination and Fuel Charges.

| ATTACHMENT | ASSEMBLY REQUIRED | INSTALLATION TIME (HOURS) |
|------------|-------------------|---------------------------|
|------------|-------------------|---------------------------|

| | | |
|-----------------|-----------|---|
| Wheel Saw | None..... | - |
|-----------------|-----------|---|

ALLIED ATTACHMENTS

| PART NUMBER | DESCRIPTION | ALLIED ATTACHMENT (CONT'D) |
|-------------|-------------|----------------------------|
|-------------|-------------|----------------------------|

Obsolete Bobcat Attachments

| | | |
|--|--|----------|
| (1600 Buckets) | DIRT, DIRT WITH TEETH, UTILITY, FERTILIZER BUCKETS | \$ _____ |
| (2000 Buckets) | FERTILIZER BUCKETS..... | \$ _____ |
| (2400 Series Buckets) | C/I, C/I WITH TEETH, LIGHT MATERIAL, FERTILIZER BUCKETS | \$ _____ |
| (974, 975, 980 with Bob-Tach) | PALLET FORKS | \$ _____ |
| (974, 975, 980 with Bob-Tach Buckets) | DIRT, DIRT WITH TEETH, UTILITY, LIGHT MATERIAL BUCKETS | \$ _____ |
| (980 Pin-On Buckets) | DIRT, DIRT WITH TEETH, BARGE, LIGHT MATERIAL BUCKETS..... | \$ _____ |
| (Backhoe Buckets) | 907 TRENCHING BUCKET (12" – 24") | \$ _____ |
| | 909, 911, 911B TRENCHING BUCKETS (12" – 36") | \$ _____ |
| | 913, 914B TRENCHING BUCKETS (12" – 36") | \$ _____ |
| (450, 453) | UTILITY BLADE | \$ _____ |
| (450 & 453 Bob-Tach Style and Pin-On Style Buckets) | DIRT, DIRT WITH TEETH, AND UTILITY BUCKETS..... | \$ _____ |
| (943/953 Attachments) | DIRT, DIRT WITH TEETH, UTILITY, FERTILIZER, LIGHT MAT. BUCKETS . | \$ _____ |
| | PALLET FORKS | \$ _____ |
| | INDUSTRIAL GRAPPLES..... | \$ _____ |

Ray-Mac
 P.O. Box 457
 Gwinner, ND 58040-0457
 (701) 678-2452 or
 (800) 542-4416

ALLIED ATTACHMENTS

Obsolete Grouser Attachments

Please contact Grouser Products directly for tracks for this (these) model(s). 800-747-6182

(Steel Tracks)

| | |
|---|----------|
| 33 X 15.5 X 16.5 REPLACEMENT TRACKS..... | \$ _____ |
| 14 – 17.5 TRACK KIT W/WHEEL SPACER..... | \$ _____ |
| 10 X 16.5 TRACK KIT (873, S220, S250, S300) | \$ _____ |
| 10 X 16.5 TRACK KIT W/BOOM STOP (S130) | \$ _____ |
| 10 X 16.5 REPLACEMENT TRACKS (S130, 753) | \$ _____ |
| 12 X 16.5 REPLACEMENT TRACKS (873, 883, S250, S300) | \$ _____ |
| 33 X 15.5 X 16.5 TRACK KIT W/WHEEL SPACER (S220, S250, S300)..... | \$ _____ |
| 12 X 16.5 TRACK KIT..... | \$ _____ |
| 100 X 165 TRACK KIT | \$ _____ |
| 12 X 16.5 TRACK KIT (205)..... | \$ _____ |